

The Single Panel Sliding Window with attached solid glass transom is specified by many multi-unit operators for its quality construction and adaptability to site-specific needs. The attached transom provides extra light or a place for signage.

Choose the appropriate glass for your site:

**VALUE** 1/4" clear tempered glass (MODEL 275)

**INSULATED** 3/4" clear insulated tempered glass (MODEL 600)

**ENERGY SAVER** 3/4" Solarban 70XL Insulated Low-E glass to maximize energy-efficiency and staff comfort. Estimated to save 33% on energy costs associated with the window. (MODEL 600)

Choose your mode of operation

◇ **MANUAL OPEN / SELF CLOSE**

Manual open, with patented hands-free gravity close. Economical and easy to maintain.

◇ **MANUAL OPEN / ELECTRONIC RELEASE (MOER)**

Electromagnetic "hold open" feature paired with a presence sensor offers the control of manual open with a gravity-fed close that won't release while interacting with customers. Hands free interaction that is easy to maintain.

◇ **ELECTRIC**

Fully automatic electric, for hands free open & close. Operator steps into overhead beam to activate.

#### STANDARD FEATURES:

- ◇ Anodized aluminum extrusions and stainless steel combine to give you an attractive window that will not rust, pit or weather
- ◇ Fully assembled, pre-glazed and ready to install
- ◇ Dark Bronze or Clear Anodized Aluminum
- ◇ Self latches every time it closes. Also includes a thumb turn lock, and night locking bar
- ◇ Track free bottom sill provides for a contaminant free surface. Angled toward outside for drainage toward exterior
- ◇ One year parts & labor limited warranty
- ◇ On-staff tech support / stocked parts / nationwide network of service providers.

#### SIZE

Window Frame Size: 47.5"W x 43.5"H

Service Opening: 19"W x 35" H

Overall Frame Size with 16" Transom: 47.5"W x 59.5"H x 4.5"D\*

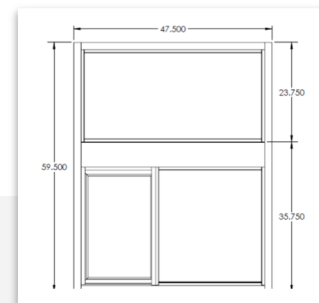
Rough Opening: 48" W x 60" H

\*Value Model 275 is 4"D

California Food Code Compliant window is same overall frame size with restricted service opening of 15" W x 27"H (under 432 square inches)

#### OPTIONAL FEATURES

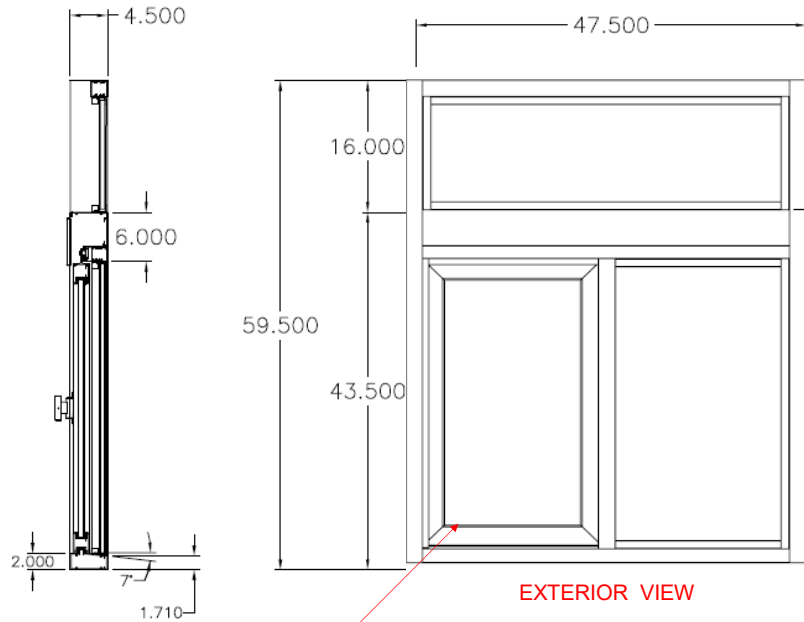
- ◇ Powder Coat Paint—Tiger Drylac
- ◇ RAC-22 Unheated or RAC-E-22 Heated inside mount air curtain with mounting kit and relay switch
- ◇ RCM-20 unheated In-Ceiling air curtain with relay switch
- ◇ Stainless Steel Shelf to extend sill inside or out (13 ga.)
- ◇ Telescoping Night Time Security Bar Set for additional security
- ◇ Sidelight (s)—shipped loose to attach in field
  - 18"w x 59.5"H
  - 28.25"w x 59.5"H
  - 36"w x 59.5"H





All windows are shipped completely pre-assembled, fully glazed, and ready to install.

Installation / Owners manual can be retrieved online:  
[www.ready-access.com](http://www.ready-access.com)



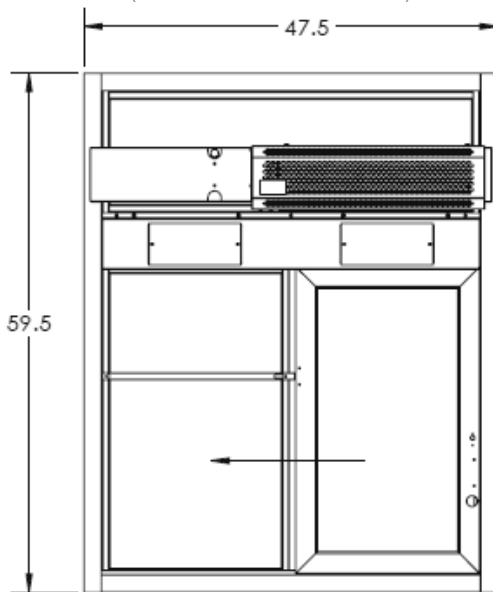
- ◇ Installation illustrations are for reference only. Construction conditions and local codes prevail.
- ◇ Must be installed level, square and plumb.
- ◇ Recommend mounting height approximately 36" from top of sill to interior finished floor (or per local code).
- ◇ Rough opening 48" W x 60" H to allow 1/4" around for leveling.

EXTERIOR VIEW

INTERIOR VIEW

SHOWN WITH OPTIONAL RAC AIR CURTAIN AND TRANSOM MOUNTING KIT WHICH HOUSES POWER CORDS AND RELAY SWITCH

(air curtain not seen from exterior)



SERVICE OPENING 19"W X 35"H

**SLIDE DIRECTION**

Specify Slide Direction from Exterior View

Left to Right from exterior (= R to L from interior)

Right to Left from exterior (= L to R from interior)

**ELECTRIC REQUIREMENTS FOR WINDOW**

Run power to header on fixed panel side.

**Manual Open / Electronic Release and Fully Automatic Electric:**

120v single phase / 60Hz / 20 AMP dedicated circuit

**Optional RAC-22 or RCM Air Curtain**

120v single phase / 60Hz / 20 AMP dedicated circuit

**Manual Open / Self Close Window:**

No Power Required

