

The 600 series Single Panel Slider is specified by many multi-unit operators for its quality construction and adaptability to site-specific needs.

Choose the appropriate glass for your site:

600 INSULATED The 600 series comes standard with 3/4" insulated glass.

600 ENERGY SAVER Choose "Solarban 70XL Insulated Low-E" glass to maximize energy-efficiency and staff comfort. Estimated to save 33% on energy costs associated with the window. NFRC Rated.

600 HURRICANE Choose Smash & Grab Impact Rated Glazing (FPA NOA FL5102.3 – Impact)

600 SECURITY Choose Lexan Level 1 or Smash & Grab glass, and a security bar set for protection against forced entry.

Choose your mode of operation

- ◇ **MANUAL OPEN / SELF CLOSE**
Manual open, with patented hands-free gravity close. Economical and easy to maintain.
- ◇ **MANUAL OPEN / ELECTRONIC RELEASE (MOER)**
Electromagnetic "hold open" feature paired with a presence sensor offers the control of manual open with a gravity-fed close that won't release while interacting with customers. Hands free interaction that is easy to maintain.
- ◇ **ELECTRIC**
Fully automatic electric, for hands free open & close. Operator steps into adjustable overhead beam to activate.



Pictured: right to left from outside view, clear anodized finish.

SIZE

- ◇ 47.5"W x 43.5"H x 4.5"D (Service Opening: 19"W x 35" H)
- ◇ 47.5"W x 35.75"H x 4.5"D (Service Opening: 19"W x 27"H)
- ◇ 47.5"W x 35.75"H x 4.5"D* (Restricted Service Opening: 15"W x 27"H)
- ◇ 35.75"W x 47.5"H x 4.5"D (Service Opening 13.5"W x 39"H)
- ◇ 35.75"W x 35.75"H x 4.5"D* (Service Opening: 13.5"W x 27"H)
- ◇ 31.75"W x 26.75"H x 4.5"D** (Service Opening 12"W x 18"H)

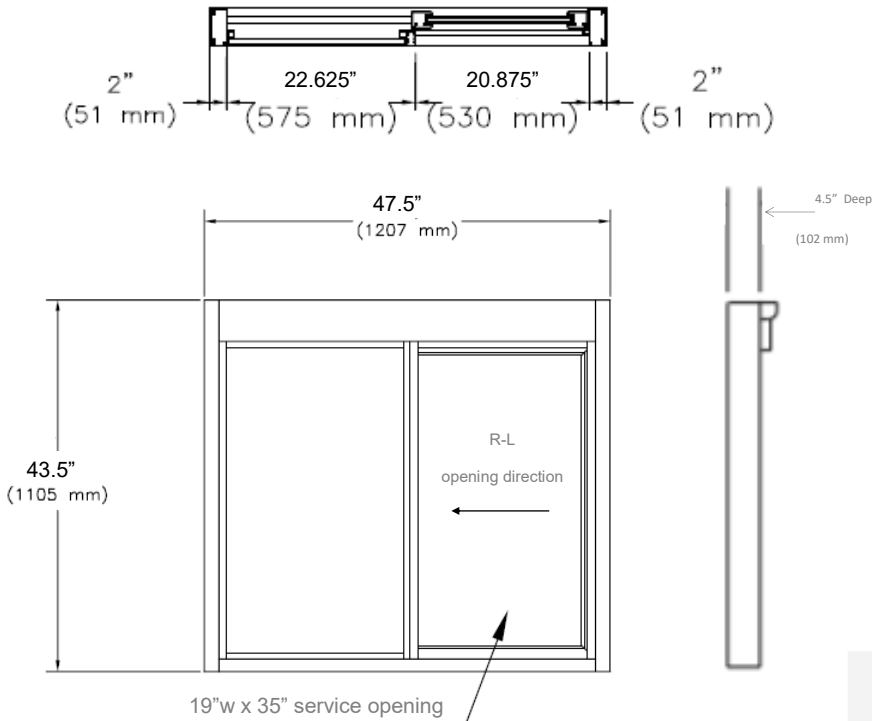
* Meets CA restricted opening requirement—under 432 square inches

STANDARD FEATURES:

- ◇ Anodized aluminum extrusions and stainless steel combine to give you an attractive window that will not rust, pit or weather
- ◇ Fully assembled, pre-glazed and ready to install
- ◇ Dark Bronze or Clear Anodized Aluminum
- ◇ Self latches every time it closes. Also includes a thumb turn lock, and night locking bar
- ◇ Track free bottom sill provides for a contaminant free surface. Angled toward outside for drainage toward exterior
- ◇ One year parts & labor limited warranty
- ◇ On-staff tech support / stocked parts / nationwide network of service providers

OPTIONAL FEATURES

- ◇ Powder Coat Paint—Tiger Drylac
- ◇ Stainless Steel Shelf to extend sill inside or out (13 ga.)
- ◇ Telescoping Night Time Security Bar Set for additional security
- ◇ Solid Glass Transom
- ◇ AA300 Heated Air Curtain
- ◇ Split Transom with AA100 Fly Fan
- ◇ RCM-20 In-Ceiling (or Soffit) Air Curtain and relay switch
- ◇ RAC-22 Unheated or RAC-E-22 Heated air curtain with mounting kit & relay switch
- ◇ Restriction Panel
- ◇ Hipscan presence sensor ILO Overhead Beam (Electric Windows)



All windows are shipped completely pre-assembled, fully glazed and ready to install.

Installation / Owners manual can be retrieved online:
www.ready-access.com

- ◇ Installation illustrations are for reference only. Construction conditions and local codes prevail.
- ◇ Must be installed level, square and plumb.

SLIDE DIRECTION

Specify Slide Direction from Exterior View
 Left to Right from exterior (= R to L from interior)
 Right to Left from exterior (= L to R from interior)

ELECTRIC REQUIREMENTS

Manual Open / Self Close Window:

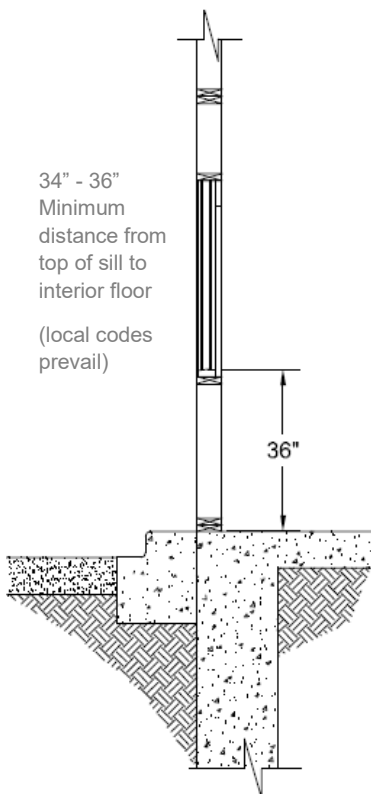
No Power Required

Manual Open / Electronic Release & Fully Automatic Electric:

120v single phase / 60Hz / 15 AMP dedicated circuit

Run power to header on fixed panel side

Window must be on a dedicated circuit



ROUGH OPENING

47.5"W x 43.5"H

- ◇ Masonry Rough Opening - 48"W x 44"H
- ◇ Glazing Rough Opening - 47.75"W x 43.75"H

47.5"W x 35.75"H

- ◇ Masonry Rough Opening - 48"W x 36.25"H
- ◇ Glazing Rough Opening - 47.75"W x 36"H

35.75"W x 47.5"H

- ◇ Masonry Rough Opening - 36.25"W x 48"H
- ◇ Glazing Rough Opening - 36"W x 47.75"H

35.75"W x 35.75"H

- ◇ Masonry Rough Opening - 36.25"W x 36.25"H
- ◇ Glazing Rough Opening - 36"W x 36"H

31.75"W x 26.75"H

- ◇ Masonry Rough Opening - 32.25"W x 27.25"H
- ◇ Glazing Rough Opening - 32"W x 27"H

