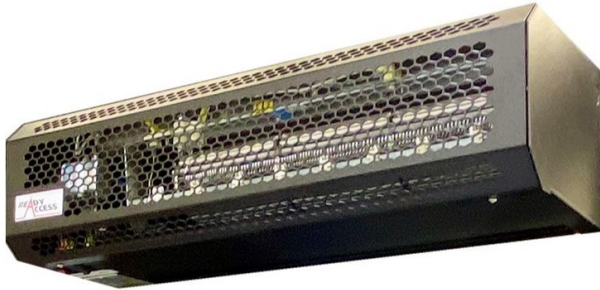




**RAC-22**  
**INSIDE MOUNT**  
**LOW PROFILE AIR CURTAIN**  
**FOR WINDOW**



High quality components—Less than 8”high  
 Simple controls with optional heat and directional vent

**MODELS**

- ◇ RAC-E-22 heated (Clear or Black)
- ◇ RAC-22 unheated (Clear or Black)

**RECOMMENDED MOUNTING POSITION**

- Nozzle 36” to 60” above counter

FPM (Feet Per Minute) velocity =  
 1,050 fpm @36” ; 926 fpm @44” ; 710 fpm @60”

**EFFICIENT, ARCHITECTURALLY PLEASING**  
**INSIDE MOUNT AIR CURTAIN SOLUTION FOR**  
**WALK UP / DRIVE THRU SERVICE WINDOWS**

Specifically designed to be an integral part of your walk up or drive thru window service. Provides barrier against insects, dust and exhaust fumes. Also improves energy efficiency by reducing HVAC losses. Available with heat for staff comfort. Satisfies food service health department requirements for a fly fan.

Exterior view when mounted in transom with optional Transom Mounting Bracket.



**SIZE**

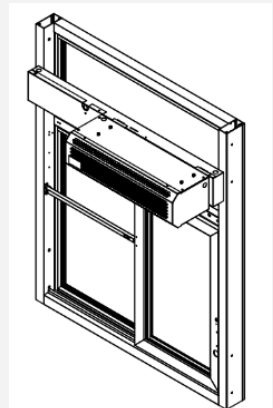
26.8”w x 9.1”d x 7.1”h without mounting brackets  
 22.6”w nozzle width

**STANDARD FEATURES:**

- ◇ Fully assembled and ready to install
- ◇ Directional vent
- ◇ Select Clear Aluminum or Black Finish
- ◇ Exceeds 600 FPM Air Velocity at sill height
- ◇ Mounting brackets
- ◇ One year parts & labor limited warranty
- ◇ On-staff tech support / stocked parts / nationwide network of service providers.

**RECOMMENDED ACCESSORIES**

- ◇ Mounting—Switch Package to Integrate Window & Fan Operation. For mounting on window with attached transom or wall.





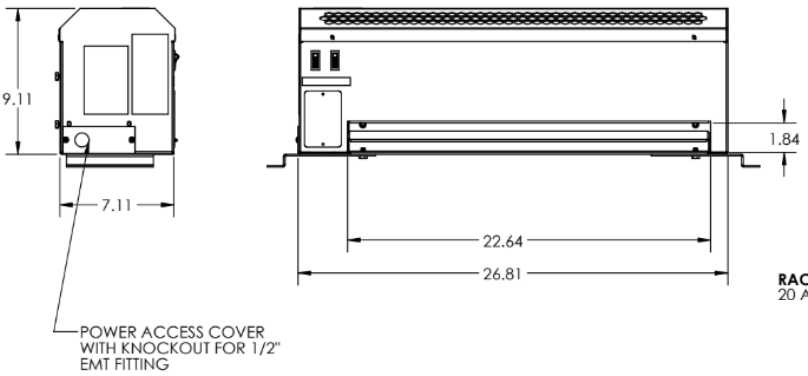
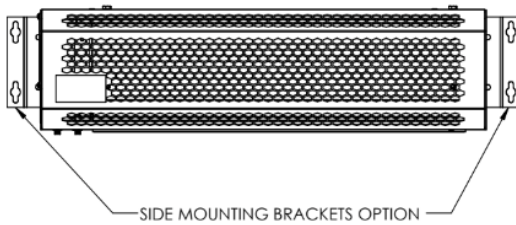
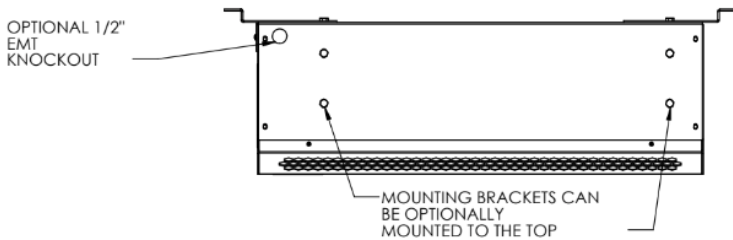
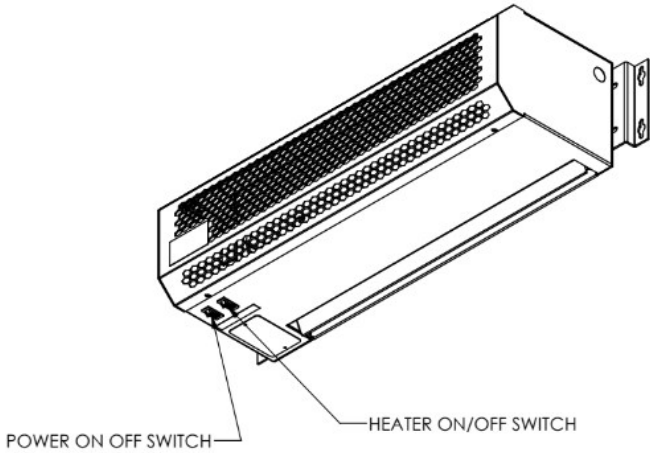
# RAC-22

## INSIDE MOUNT LOW PROFILE AIR CURTAIN FOR WINDOW

Air Curtain shipped pre-assembled and ready to install.

Installation / Owners manual can be retrieved online: [www.ready-access.com](http://www.ready-access.com)

- ◇ Installation illustrations are for reference only. Construction conditions and local codes prevail.
- ◇ Recommend installation by licensed electrician.
- ◇ Mounts above service opening of any flush mount window on interior of building.



### ELECTRIC REQUIREMENTS

**RAC-E-22 HEATED**  
 20 Amp Dedicated Circuit  
 120v 60 Hz Single Phase  
 Heater 1550 Watts (12.9 Amps) Motor 3 Amps

**RAC-22 UNHEATED**  
 20 Amp Dedicated Circuit  
 120v 60 Hz Single Phase  
 Motor 3 Amps

Interior view with transom mounting bracket option.

