

BUMP OUT 10 (BO10)

This classic bump out design offers a panoramic view of cars and outside activity. Convenience is key with over four feet of inside usable counter space and a large 18"W x 23"H service opening.

CHOOSE YOUR MODE OF OPERATION

◇ MANUAL OPEN / SELF CLOSE (BO10SC)

Manually open both doors with one hand. Doors part from the center and easily slide open to the sides. When released, doors close on a gravity fed track. Includes a latch lock that self-latches every time the window is closed and night locking bars. Economical and easy to maintain.

◇ FULLY AUTOMATIC ELECTRIC (BO10E)

For hands free operation, the operator simply steps into a hip high electronic light beam which opens the door panels automatically. The door panels automatically close when the operator steps away from the electronic light beam. By the push of a button, operators can easily adjust the width of the window opening from 18"W to 12"W. Includes a thumb-turn lock.



SIZE

Window Frame Size: 53 1/2"W x 48 3/4"H

Service Opening: 18"W x 23"H or 12"W x 23"H

Rough Opening: for Recess Install 54" W x 49 1/4" H

STANDARD FEATURES:

- ◇ Anodized aluminum extrusions and stainless steel combine to give you an attractive window that will not rust, pit or weather
- ◇ Fully assembled, pre-glazed and ready to install
- ◇ 1/4" Clear Tempered Glass doors/sides
- ◇ Lexan tinted transom deflects moisture and reduces glare.
- ◇ Dark Bronze or Clear Anodized Aluminum
- ◇ Track free bottom sill with 4 feet of usable counter space.
- ◇ One year parts & labor limited warranty
- ◇ On-staff tech support / stocked parts / nationwide network of service providers.

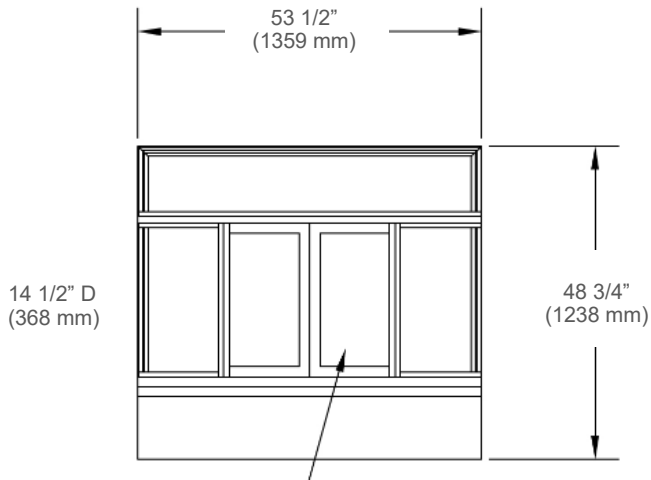
OPTIONAL FEATURES

- ◇ Powder Coat Paint—Tiger Drylac
- ◇ Restriction Panel or Screen

All windows ship completely pre-assembled, fully glazed and ready to install.

Installation / Owners manual can be retrieved online:

www.ready-access.com

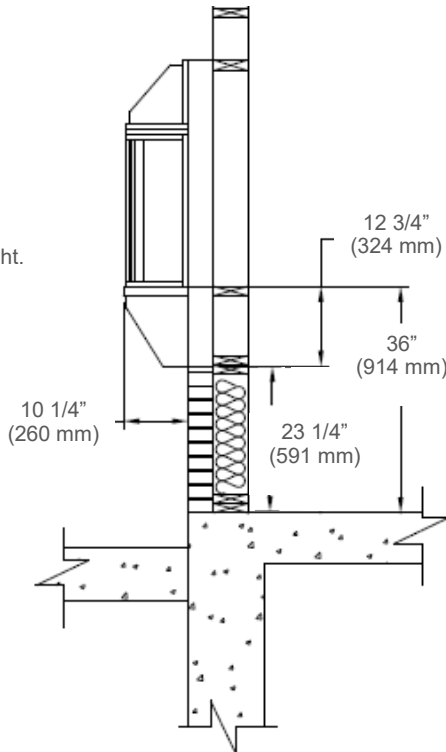


19"W x 24"H service opening, adjustable to 12"W with touch of button.

- ◇ Installation illustrations are for reference only. Construction conditions and local codes prevail.
- ◇ Must be installed level, square and plumb.
- ◇ Recommend approximately 36" from top of sill to interior finished floor (or per local code).
- ◇ 54" W x 49 1/4" H rough opening recommended for recess install application (most common). Projects approximately 10 1/4".
- ◇ Surface Mount Option: Optional surface mount hardware included for 50" W x 34 1/4" H rough opening. Projects approximately 14 1/4".

RECESS INSTALL

(most common)
 Rough Opening
 54"W x 49 1/4"H
 Set 23 1/4" from interior finished floor for 36" interior counter height.
 (Local codes prevail)



ELECTRIC REQUIREMENTS FOR WINDOW

Manual Open / Self Close Window:

No Power Required

Fully Automatic Electric:

115 vac—60Hz with a 15 amp dedicated circuit
 Run power to bottom right (from outside view)

Doors part side-to-side so counter work area remains clear.

