

### RA-MDTD13X9X8 Medium Transaction Drawer

Popular and affordable walk up security drawer solution with large transfer area for packages, bags, back packs, beverages and more. Simple thru wall design is ideal for walk up customers, delivery service pick ups, or check in at schools or government buildings.

Level 3 Bullet Resistant Faceplate Insert.

To use, load product from the top on interior, depress button on handle and press forward to smoothly extend drawer toward customer.

#### APPLICATIONS

Ideal solution for convenience stores, pharmacies, corrections, dispensaries, financial institutions, government projects, schools, or restaurant delivery pick up. Suitable for interior and exterior environments.

Transfer Area: 13-3/4"W x 9-5/8"D x 7-7/8"H



#### SIZE

Overall Size: 18"w x 25"d x 9"h

Rough Opening: 19-5/8"w x 9-1/2"h

Frame Face: 21-3/8"w x 11-1/4"h

#### STANDARD FEATURES:

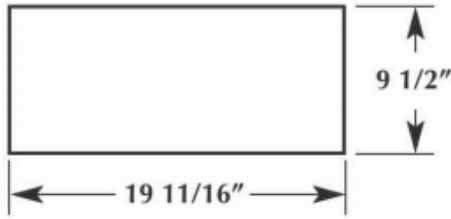
- ◇ Fully assembled with exception of handle and ready for thru-wall installation in 4 1/2" thick walls.
- ◇ High Quality Stainless Steel Construction
- ◇ Interior Lock
- ◇ Trim Face Plate
- ◇ One year parts & labor limited warranty

#### A MEDIUM TRANSACTION DRAWER IS PART OF A MODULAR TRANSACTION SOLUTION

- ◇ Mount under Fixed Window or Operable Window
- ◇ Add Speak Thru, Amplified Speaker or Intercom

LET OUR EXPERTS HELP YOU CONFIGURE THE BEST SOLUTION FOR YOUR PROJECT

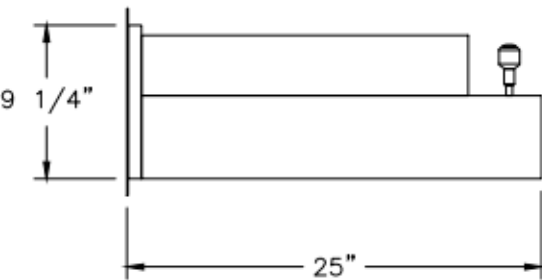
### REQUIRED WALL OPENING



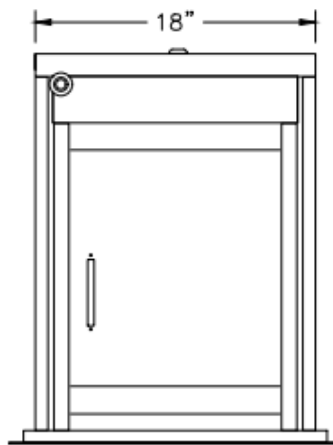
RA-MDTD13X9X8 is shipped pre-assembled and ready to install.

- ◇ Installation illustrations are for reference only. Construction conditions and local codes prevail.
- ◇ Must be installed level, square and plumb.
- ◇ Mounts through wall below any flush mount window.

### SIDE VIEW



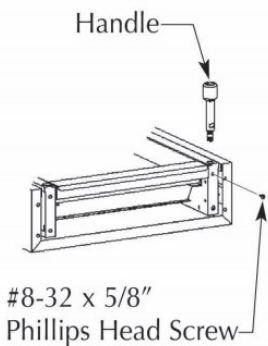
### TOP VIEW



### MANUAL OPERATION

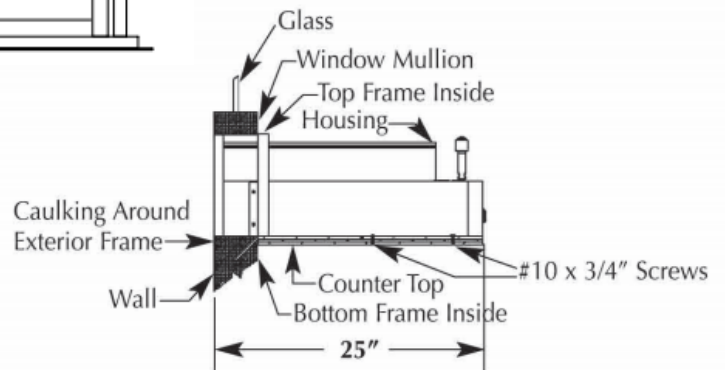
No power required

### INSERT DRAWER THROUGH WALL OPENING FROM THE EXTERIOR



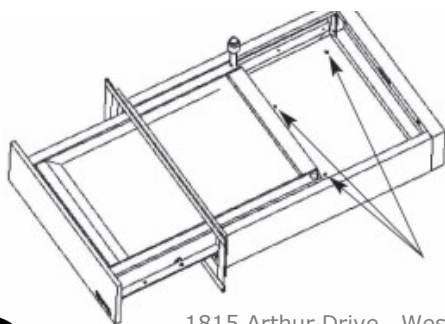
#### Attach handle.

Screw handle into place by hand.  
Open drawer and install screw in rear side of panel.



#### Attach housing to counter top.

With drawer extended, use #10 x 3/4" screws to attach drawer housing to counter. Counter must be supported at points adjacent to drawer housing



#### Attach Interior Frame

