

The 603 Walk Up ticket / cashier window includes a speaker hole and deal tray for paper, ticket, or payment transactions. It provides ample visibility while keeping the attendant secure and protected. Also reduces heat or air conditioning loss vs a window that opens & closes.

Ideal for a variety of applications including stadiums, schools, government buildings, amusement parks, banks, convenience stores, theaters, race tracks, park districts, pools and zoos.

### CHOOSE THE APPROPRIATE GLASS FOR YOUR SITE:

(note: this model not tested for hurricane)

- ◇ **VALUE** 1/4" clear tempered glass w/ speak thru
  - ◇ **SECURITY** 3/4" Smash & Grab Lexan with Lexan speak thru
  - ◇ **BULLET RESISTANT SECURITY**
    - 3/4" Lexan Level 1 Bullet Resistance w/ Lexan speak thru
    - 1-1/4" Lexan Level 3 Bullet Resistance w/ Lexan speak thru
- Extrusions lined with corresponding L1 or L3 Lumiguard



### SIZE

All standard sizes include 12-1/4" deep stainless steel shelf with built in deal tray and inside tray cover. Deal tray transfer area is 12"W x 1-7/8"H.

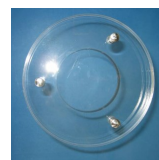
Overall frame size including deal tray:

- ◇ 25 3/4"W x 42"H
- ◇ 36"W x 36"H
- ◇ 48"W x 48" H

Custom sizes available upon request. Shelf size 24"W to 48"W. Window can extend beyond 48"W, but cannot be smaller than 24"W.



Speak Thru for 1/4" Glazing



Lexan Speak



SS Speak Thru



Interior Tray Cover

### STANDARD FEATURES:

- ◇ Anodized aluminum extrusions and stainless steel combine to give you an attractive window that will not rust, pit or weather
- ◇ Fully assembled, pre-glazed and ready to install
- ◇ Dark Bronze or Clear Anodized Aluminum
- ◇ SS deal tray with inside tray cover
- ◇ Speak thru
- ◇ One year parts & labor limited warranty
- ◇ On-staff tech support / stocked parts / nationwide network of service providers

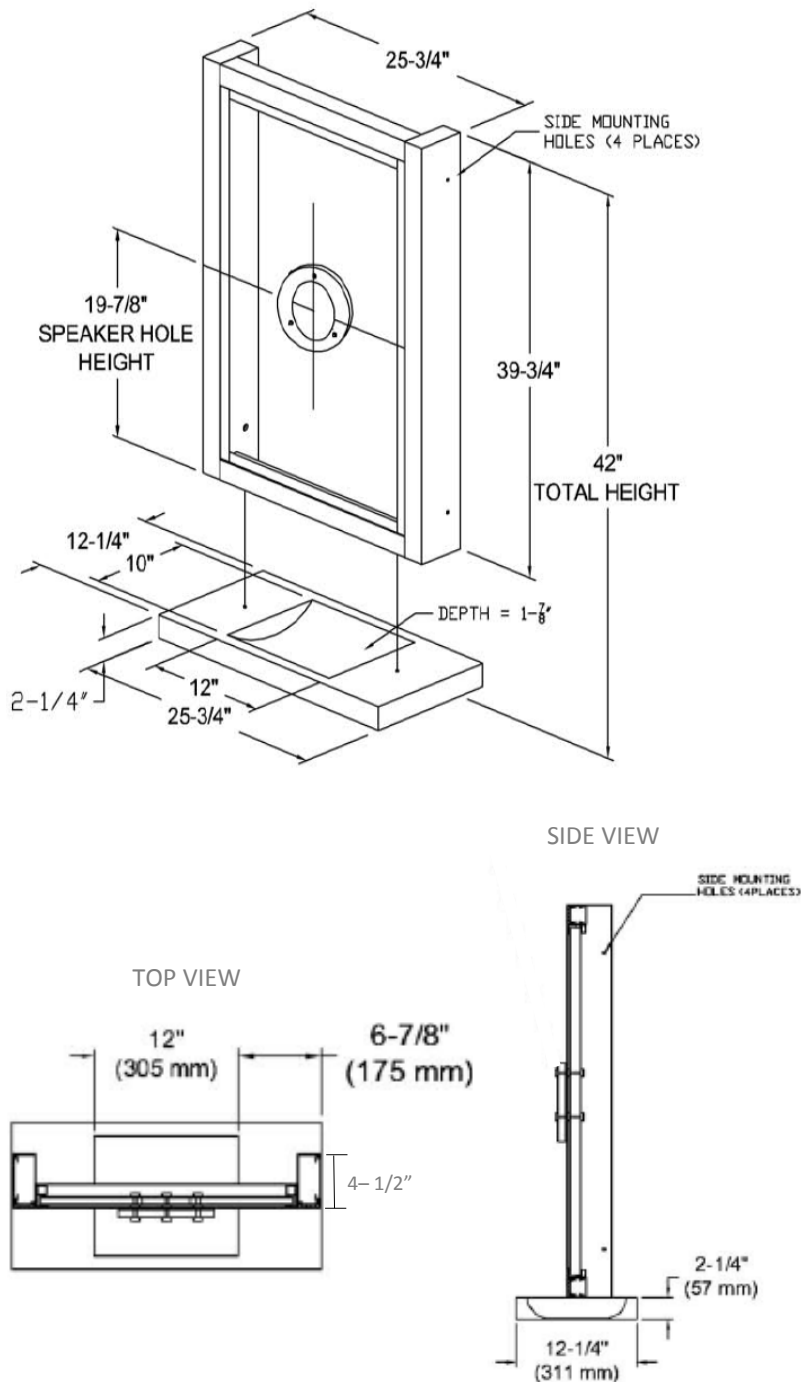
### OPTIONAL FEATURES

Glazing:

- 1/4" Clear Tempered Glass
- 3/4" Smash & Grab Lexan
- 3/4" Lexan Level 1 Bullet Resistance
- 1-1/4" Lexan Level 3 Bullet Resistance
- ◇ SS Speak Thru
- ◇ Powder Coat Paint—Tiger Drylac
- ◇ Amplified Speaker System—Haven SC100
- ◇ Custom Sizes



DRAWING OF 603 WALK UP 25-3/4"W x 42"H



All windows are shipped completely pre-assembled, fully glazed and ready to install.

Installation / Owners manual can be retrieved online:

[www.ready-access.com](http://www.ready-access.com)

- ◇ Installation illustrations are for reference only. Construction conditions and local codes prevail.
- ◇ Must be installed level, square and plumb.
- ◇ No power required

### ROUGH OPENING

Rough opening should be 1/2" larger than frame size to allow for shimming. (defer to preference of glazer if mounting in storefront)

For interior counter sill height of 36", rough opening should be set 33-1/2" H from interior finished floor.

- ◇ 25-3/4"W x 42"H  
Rough Opening 26-1/4"W x 42-1/2"H
- ◇ 36"W x 36"H  
Rough Opening 36-1/2"W x 36-1/2"H
- ◇ 48"W x 48" H  
Rough Opening 48-1/2"W x 48-1/2"H