

The 275 Series

Single Panel Slider with Attached Transom

provides extra light and the flexibility to add integrated heated or non-heated air curtains to your design as dictated by the regional climate.

Choose your mode of operation

- ◇ **MANUAL OPEN / SELF CLOSE**
Manual open, with patented hands-free gravity close.
Economical and easy to maintain.
- ◇ **MANUAL OPEN / ELECTRONIC RELEASE (MOER)**
Electromagnetic “hold open” feature paired with a presence sensor offers the control of manual open with a gravity-fed close that won’t release while interacting with customers. Hands free interaction that is easy to maintain.
- ◇ **ELECTRIC**
Fully automatic electric, for hands free open & close



SIZE

Window Frame Size: 47-1/2"W x 43-1/2"H

Service Opening: 19"W x 35"H

Overall Frame Size with 16" Transom: 47-1/2"W x 59-1/2" H x 4" D

Rough Opening: 48" W x 60" H

STANDARD FEATURES:

- ◇ Anodized aluminum extrusions and stainless steel combine to give you an attractive window that will not rust, pit or weather
- ◇ Fully assembled, pre-glazed and ready to install
- ◇ 1/4" Clear Tempered Glass
- ◇ Dark Bronze or Clear Anodized Aluminum
- ◇ Self latches every time it closes. Also includes a thumb turn lock, and night locking bar
- ◇ Track free bottom sill provides for a contaminant free surface. Angled toward outside for drainage toward exterior
- ◇ One year parts & labor limited warranty
- ◇ On-staff tech support / stocked parts / nationwide network of service providers.

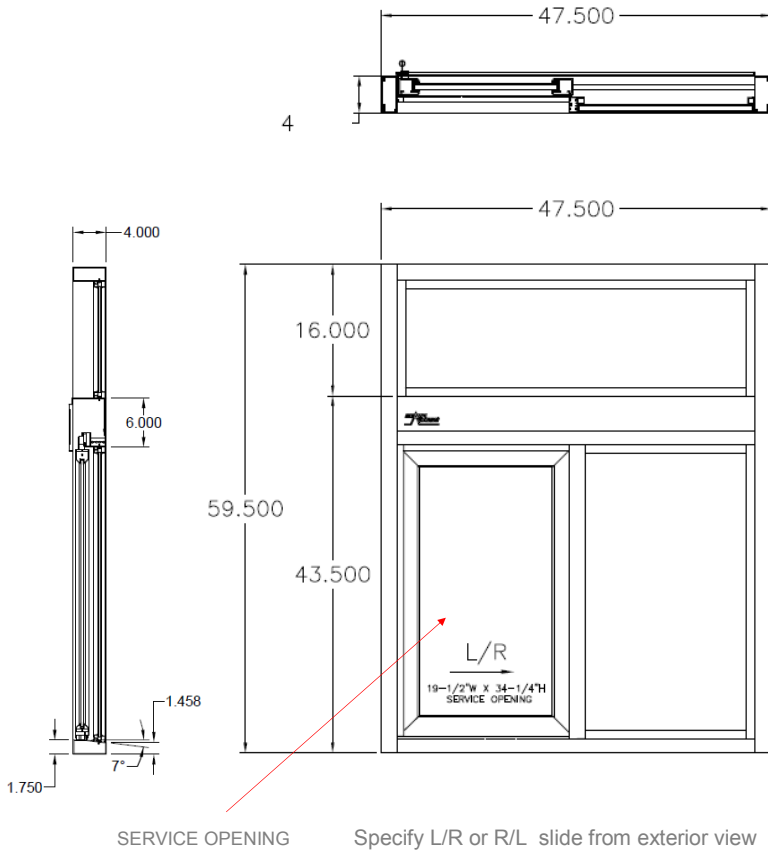
OPTIONAL FEATURES

- ◇ Powder Coat Paint—Tiger Drylac
- ◇ Custom Size
- ◇ Tinted Glazing
- ◇ Low E Glass
- ◇ 5/16" Safety Glass
- ◇ Stainless Steel Shelf to extend sill inside or out (13 ga.)
- ◇ Telescoping Night Time Security Bar Set for additional security
- ◇ AA300 Heated Air Curtain (replaces transom)
- ◇ Transom for AA100 Fly Fan—Standard Opening
- ◇ Transom for AA100 Fly Fan—Restricted Opening
- ◇ Restriction Panel or Screen

All windows are shipped completely pre-assembled, fully glazed and ready to install.

Installation / Owners manual can be retrieved online:
www.ready-access.com

- ◇ Installation illustrations are for reference only. Construction conditions and local codes prevail.
- ◇ Must be installed level, square and plumb.
- ◇ Recommend approximately 36" from top of sill to interior finished floor (or per local code).
- ◇ 48" W x 60" H rough opening recommended for leveling.



ELECTRIC REQUIREMENTS FOR WINDOW

Run power to header on fixed panel side.

Manual Open / Self Close Window:
No Power Required

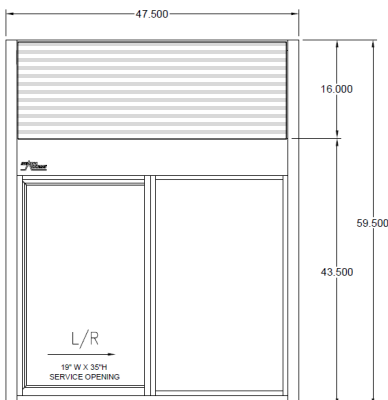
Manual Open / Electronic Release and Fully Automatic Electric:
115 vac—60Hz with a 15 amp dedicated circuit

Optional Air Curtain requires separate dedicated circuit

VARIATIONS WITH AIR CURTAINS

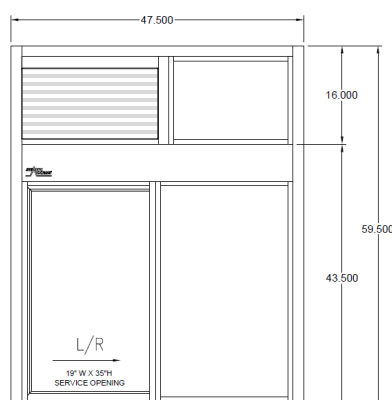
COLD CLIMATES

AA300 HEATED AIR CURTAIN
ILO TRANSOM



WARM CLIMATES

TRANSOM FOR AA100 FLY FAN
STANDARD SERVICE OPENING



WEST COAST

RESTRICTED SERVICE OPENING
TRANSOM FOR AA100 FLY FAN

