

## FIXED WINDOW WITH SECURITY DRAWER OR DEAL TRAY

A fixed window can be paired with the appropriate pass thru tray or drawer to suit your project's needs.

### CHOOSE THE APPROPRIATE GLASS FOR YOUR SITE:

- ◇ **VALUE**  
1/4" clear tempered glass
- ◇ **IMPACT RESISTANT SECURITY**  
3/4" Smash & Grab impact rated  
(note: this configuration not tested for Hurricane)
- ◇ **BULLET RESISTANT SECURITY**
  - 3/4" Lexan Level 1 Bullet Resistance
  - 1 1/4" Lexan Level 3 Bullet Resistance



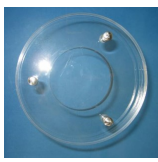
Wall Mount Small Transaction Drawer

### CHOOSE THE APPROPRIATE SPEAK THRU

### CHOOSE THE APPROPRIATE DRAWER OR DEAL TRAY:



Aluminum Speak Thru



Lexan Speak Thru



SS Speak Thru



Amplified Speaker



Intercom System  
Exterior call button with interior microphone.



Wall Mount Large Transaction Drawer  
with flip down face



Drop In Counter Deal Tray



Wall Mount Medium  
Transaction Drawer

### STANDARD FEATURES:

- ◇ Anodized aluminum extrusions and stainless steel combine to give you an attractive window that will not rust, pit or weather
- ◇ Fully assembled, pre-glazed and ready to install
- ◇ Dark Bronze or Clear Anodized Aluminum
- ◇ One year parts & labor limited warranty
- ◇ On-staff tech support / stocked parts / nationwide network of service providers

### OPTIONS

- ◇ Powder Coat Paint—Tiger Drylac
- ◇ Custom Sizes

### FIXED WINDOW SIZE

Overall Frame Size

- ◇ 24"w x 36"h      ◇ 60"w x 48"h
- ◇ 48"w x 48"h      ◇ 72"w x 48"h

Custom sizes available upon request.

### PASS THRU OPTIONS

#### ◇ Drop In Counter Tray

Affordable solution Ideal for interior applications

Overall Size – 14"w x 12"d x 2"h

Transfer Area – 12"w x 10"d x 1 7/8"h

Countertop Cut-Out – 12 5/16"w x 10 1/4"d

#### ◇ Thru Wall Small Transaction Drawer

Perfect for cash/document/ticket/small product transactions.

Interior or exterior applications. Removable deal tray.

Overall Size – 12"w x 16 3/4"d x 3 3/4"h

Deal Tray Transfer Area—9 1/2"w x 5 1/2"d x 1 7/8"h

Transfer Area without deal tray—9 1/2"w x 14 1/4"d x 2 1/4"h

Wall Rough Opening—12 1/4"w x 4"h

Frame Face—14"w x 5 3/4"h

#### ◇ Thru Wall Medium Transaction Drawer

Popular and affordable walk up for packages back packs, and more.

Interior or exterior applications. Removable deal tray.

Overall Size – 18"w x 25"d x 9"h

Transfer Area—13-3/4"w x 9-5/8"d x 7-7/8"h

Wall Rough Opening—19-5/8"w x 9-1/2"h

#### ◇ Thru Wall Large Transaction Drawer

Perfect for bags, packages, cases and gallon containers

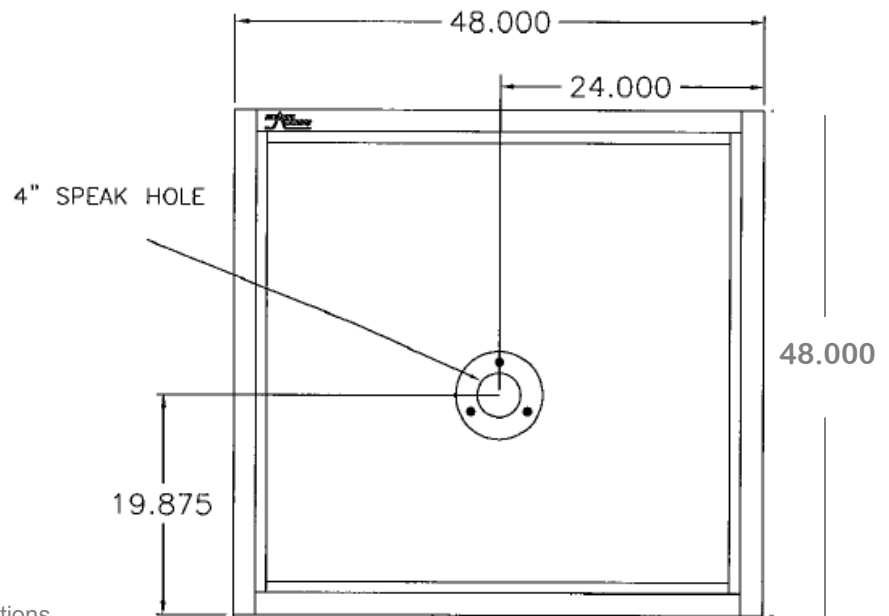
Interior or exterior applications. Extends 10" toward patron when open.

Flip down face ideal for drive thru.

Overall Size – 21 3/4"w x 16 3/4"d x 14 15/16"h

Transfer Area—18 1/4"w x 14 1/4"h x 9 1/2"h

Wall Rough Opening—22"w x 13 1/4"h



48"w x 48"h fixed window with lexan speak thru

**All windows are shipped completely pre-assembled, fully glazed and ready to install.**

Installation / Owners manual can be retrieved online: [www.ready-access.com](http://www.ready-access.com)

- ◇ Installation illustrations are for reference only. Construction conditions and local codes prevail.
- ◇ Must be installed level, square and plumb.

### ROUGH OPENING

Recommended rough opening for window is 1/2" larger than frame size to allow for shimming.

(defer to preference of glazer if mounting in storefront)

