

BUMP OUT 4 (BO4)

Classic bump out design offers a panoramic view of cars and outside activity while adding architectural interest. It's narrow profile design fits almost any building layout with a large 19" w x 32" h pass thru opening.

Full height door design allows easy reach to taller cars.

CHOOSE YOUR MODE OF OPERATION

◇ SEMI AUTOMATIC (BO4-SEMI)

By pressing the padded hip plunger, the two door panels conveniently fold inward from the exterior edges, without interfering with the staging area on the interior shelf. The two door panels close when the plunger is released. Economical and easy to maintain.

◇ FULLY AUTOMATIC ELECTRIC (BO4E)

For hands free operation, the operator simply steps into a hip high electronic light beam which opens the door panels automatically. The door panels automatically close when the operator steps away.



SIZE

Window Frame Size: 27-3/4" w x 48-3/4" h

Service Opening: 19" w x 32" h service opening

Rough Opening for Recess Mounting: 28-1/4" w x 49 1/4" h

STANDARD FEATURES:

- ◇ Anodized aluminum extrusions and stainless steel combine to give you an attractive window that will not rust, pit or weather
- ◇ Fully assembled, pre-glazed and ready to install
- ◇ 1/4" Clear Tempered Glass doors/sides
- ◇ Dark Bronze or Clear Anodized Aluminum
- ◇ Track free bottom sill with usable counter space
- ◇ One year parts & labor limited warranty
- ◇ On-staff tech support / stocked parts / nationwide network of service providers.

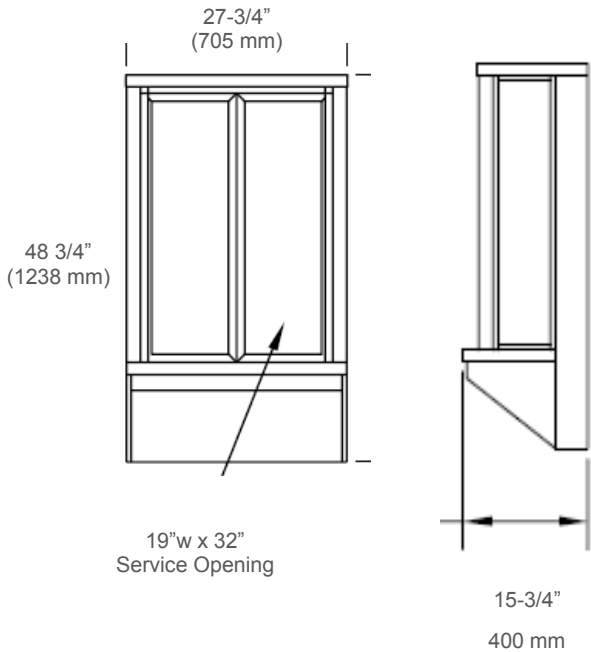
OPTIONAL FEATURES

- ◇ Powder Coat Paint—Tiger Drylac
- ◇ Tinted Glazing
- ◇ 1/4" Hard Coat Low E Glass
- ◇ Telescoping Night Time Security Bar Set for additional security

All windows ship completely pre-assembled, fully glazed and ready to install.

Installation / Owners manual can be retrieved online:

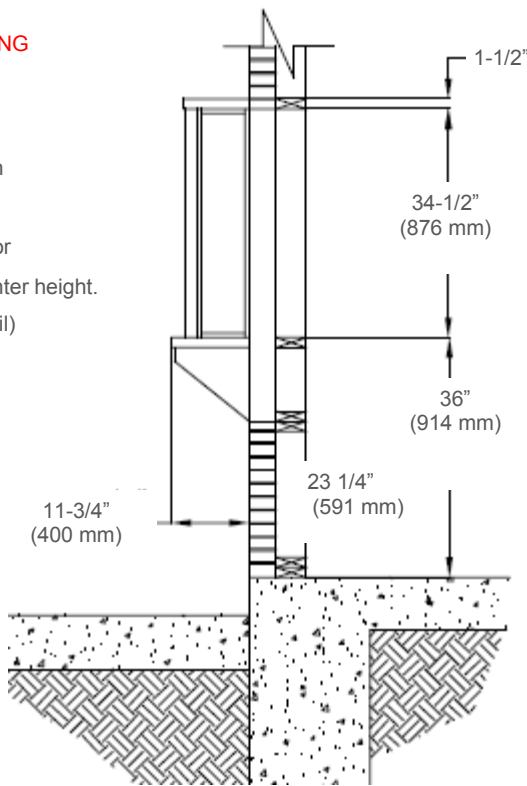
www.ready-access.com



- ◇ Installation illustrations are for reference only. Construction conditions and local codes prevail.
- ◇ Must be installed level, square and plumb.
- ◇ Recommend approximately 36" from top of sill to interior finished floor (or per local code).
- ◇ Recess Mount: 28-1/4" w x 49-1/4" h rough opening recommended for recess-mount application (most common). Projects approximately 11-3/4".
- ◇ Surface Mount Option: Optional surface mount hardware included for 24-1/4" w x 34-1/2" h rough opening. Projects approximately 15-3/4".

RECESS MOUNTING

(most common)
 Rough Opening
 28-1/4" w x 49-1/4" h
 Set 23 1/4" from interior finished floor for 36" interior counter height.
 (Local codes prevail)



ELECTRIC REQUIREMENTS FOR WINDOW

Manual Open / Self Close Window:

No Power Required

Fully Automatic Electric:

115 vac—60Hz with a 15 amp dedicated circuit
 Run power to bottom right (from outside view)

Doors flip in from outside edges so counter work area remains clear.

