

FIXED WINDOW WITH SECURITY DRAWER OR DEAL TRAY

A fixed window can be paired with the appropriate pass thru tray or drawer to suit your project's needs.

CHOOSE THE APPROPRIATE GLASS FOR YOUR SITE:

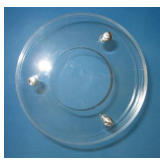
- ◇ **VALUE**
1/4" clear tempered glass (Window Model RA-FPCTG)
- ◇ **IMPACT RESISTANT SECURITY**
3/4" Smash & Grab impact rated (Window Model RA-FPS&G)
(note: this configuration not tested for Hurricane)
- ◇ **BULLET RESISTANT SECURITY**
 - 3/4" Lexan Level 1 Bullet Resistance (Window Model RA-FPL1)
 - 1 1/4" Lexan Level 3 Bullet Resistance (Window Model RA-FPL3)



CHOOSE THE APPROPRIATE SPEAK THRU



Aluminum Speak Thru



Lexan Speak Thru



SS Speak Thru



Amplified Speaker



Intercom System
Exterior call button with interior microphone.

CHOOSE THE APPROPRIATE TRANSACTION DRAWER OR DEAL TRAY:



Wall Mount Large Transaction Drawer
Model RA-LGTD



Drop In Counter Deal Tray
Model RA-CDT



Wall Mount Small Transaction Drawer
Model RA-SMTD

STANDARD FEATURES:

- ◇ Anodized aluminum extrusions and stainless steel combine to give you an attractive window that will not rust, pit or weather
- ◇ Fully assembled, pre-glazed and ready to install
- ◇ Dark Bronze or Clear Anodized Aluminum
- ◇ One year parts & labor limited warranty
- ◇ On-staff tech support / stocked parts / nationwide network of service providers

OPTIONS

- ◇ Powder Coat Paint—Tiger Drylac
- ◇ Custom Sizes

WINDOW SIZE

Overall Frame Size

- ◇ 24" w x 36" h
- ◇ 48" w x 48" h
- ◇ 60" w x 48" h
- ◇ 72" w x 48" h

Custom sizes available upon request.

PASS THRU TRANSACTION OPTIONS

Drop In Counter Tray (Model RA-CDT)

Affordable solution ideal for interior applications

Overall Size – 14" w x 12" d x 2" h

Transfer Area – 12" w x 10" d x 1 7/8" h

Countertop Cut-Out – 12 5/16" w x 10 1/4" d

Wall Mount Small Transaction Drawer (Model RA-SMTD)

Perfect for Cash/Document/Ticket/Small Product transactions.

Interior or exterior applications. Extends 11" toward patron when open.

Removable deal tray.

Overall Size – 12" w x 16 3/4" d x 3 3/4" h

Deal Tray Transfer Area—9 1/2" w x 5 1/2" d x 1 7/8" h

Transfer Area without deal tray—9 1/2" w x 14 1/4" d x 2 1/4" h

Wall Rough Opening—12 1/4" w x 4" h

Frame Face—14" w x 5 3/4" h

Wall Mount Large Transaction Drawer (Model RA-LGTD)

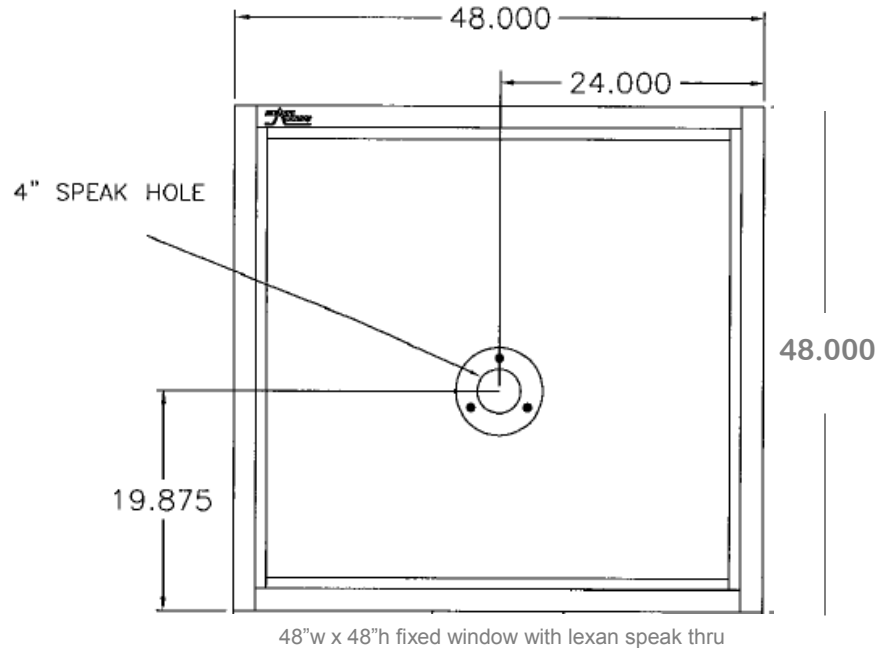
Perfect for bags, packages, cases and gallon containers

Interior or exterior applications. Extends 10" toward patron when open.

Overall Size – 21 3/4" w x 16 3/4" d x 14 15/16" h

Transfer Area—18 1/4" w x 14 1/4" h x 9 1/2" h

Wall Rough Opening—22" w x 13 1/4" h



All windows are shipped completely pre-assembled, fully glazed and ready to install.

Installation / Owners manual can be retrieved online: www.ready-access.com

- ◇ Installation illustrations are for reference only. Construction conditions and local codes prevail.
- ◇ Must be installed level, square and plumb.

ROUGH OPENING

Recommended rough opening for window is 1/2" larger than frame size to allow for shimming.

(defer to preference of glazer if mounting in storefront)

