



## 600 SERIES w/ Attached Transom

The 600 series Single Panel Slider with Attached Transom is specified by many multi-unit operators for its quality construction and adaptability to site-specific needs. The attached transom provides extra light and the flexibility to add integrated heated or non-heated air curtains to your design as dictated by the regional climate.

Choose the appropriate glass for your site:

**600 INSULATED** The 600 series comes standard with 3/4" insulated glass.

**600 ENERGY SAVER** Choose "Solarban 70XL Insulated Low-E" glass to maximize energy-efficiency and staff comfort. Estimated to save 33% on energy costs associated with the window. NFRC Rated.

**600 SECURITY** Choose "Lexan Level 1" or "Lexan Level 3" Bullet Resistance or "Smash & Grab" glass, and a security bar set for protection against forced entry.

Choose your mode of operation

◇ **MANUAL OPEN / SELF CLOSE**

Manual open, with patented hands-free gravity close. Economical and easy to maintain.

◇ **MANUAL OPEN / ELECTRONIC RELEASE (MOER)**

Electromagnetic "hold open" feature paired with a presence sensor offers the control of manual open with a gravity-fed close that won't release while interacting with customers. Hands free interaction that is easy to maintain.

◇ **ELECTRIC**

Fully automatic electric, for hands free open & close. Operator steps into overhead beam to activate.

### SIZE

Window Frame Size: 47 1/2"W x 43 1/2"H

Service Opening: 19"W x 35" H

Overall Frame Size with 16" Transom: 47.5"W x 59.5" H x 4.5" D

Rough Opening: 48" W x 60" H

Custom sizes available by request

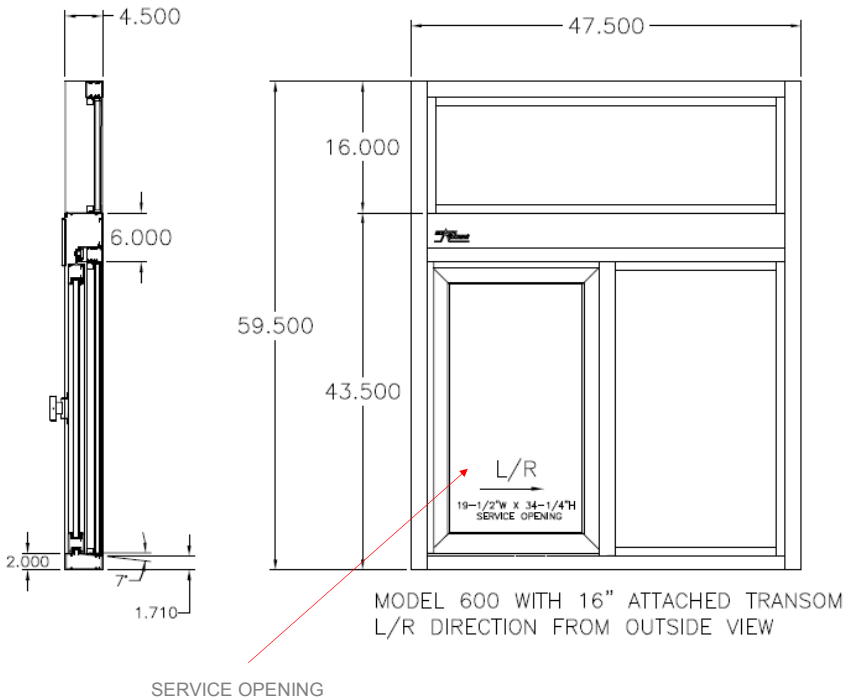
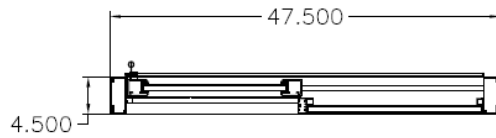
### STANDARD FEATURES:

- ◇ Anodized aluminum extrusions and stainless steel combine to give you an attractive window that will not rust, pit or weather
- ◇ Fully assembled, pre-glazed and ready to install
- ◇ 3/4" Insulated Glass
- ◇ Dark Bronze or Clear Anodized Aluminum
- ◇ Self latches every time it closes. Also includes a thumbturn lock, and night locking bar
- ◇ Track free bottom sill provides for a contaminant free surface. Angled toward outside for drainage toward exterior
- ◇ One year parts & labor limited warranty
- ◇ On-staff tech support / stocked parts / nationwide network of service providers.

### OPTIONAL FEATURES

Glazing:

- ◇ Solarban 70 XL Insulated Low E
- ◇ Smash & Grab
- ◇ Lexan Level 1 or Level 3
- ◇ Tinting
- ◇ Custom Size Window, Transom, or Sidelight(s)
- ◇ Powder Coat Paint—Tiger Drylac
- ◇ Stainless Steel Shelf to extend sill inside or out (13 ga.)
- ◇ Telescoping Night Time Security Bar Set for additional security
- ◇ AA300 Heated Air Curtain (replaces transom)
- ◇ Transom for AA100 Fly Fan
- ◇ Sidelight (1) 36"w x 59.5"h for overall 7'w x 5'h rough opening
- ◇ Sidelights (2) 18"w x 59.5"h for overall 7'w x 5'h rough opening



All windows are shipped completely pre-assembled, fully glazed, and ready to install.

Installation / Owners manual can be retrieved online:  
[www.ready-access.com](http://www.ready-access.com)

- ◇ Installation illustrations are for reference only. Construction conditions and local codes prevail.
- ◇ Must be installed level, square and plumb.
- ◇ Recommend approximately 36" from top of sill to interior finished floor (or per local code).
- ◇ 48" W x 60" H rough opening recommended for leveling.

### ELECTRIC REQUIREMENTS FOR WINDOW

Run power to header on fixed panel side.

**Manual Open / Electronic Release and Fully Automatic Electric:**  
 115 vac—60Hz with a 15 amp dedicated circuit

**Optional Air Curtain requires separate dedicated circuit**

**Manual Open / Self Close Window:**  
 No Power Required

### VARIATIONS WITH AIR CURTAINS

#### COLD CLIMATES

AA300 HEATED AIR CURTAIN  
 ILO TRANSOM

#### WARM CLIMATES

TRANSOM FOR AA100 FLY FAN  
 STANDARD SERVICE OPENING

#### WEST COAST

RESTRICTED SERVICE OPENING  
 TRANSOM FOR AA100 FLY FAN

