

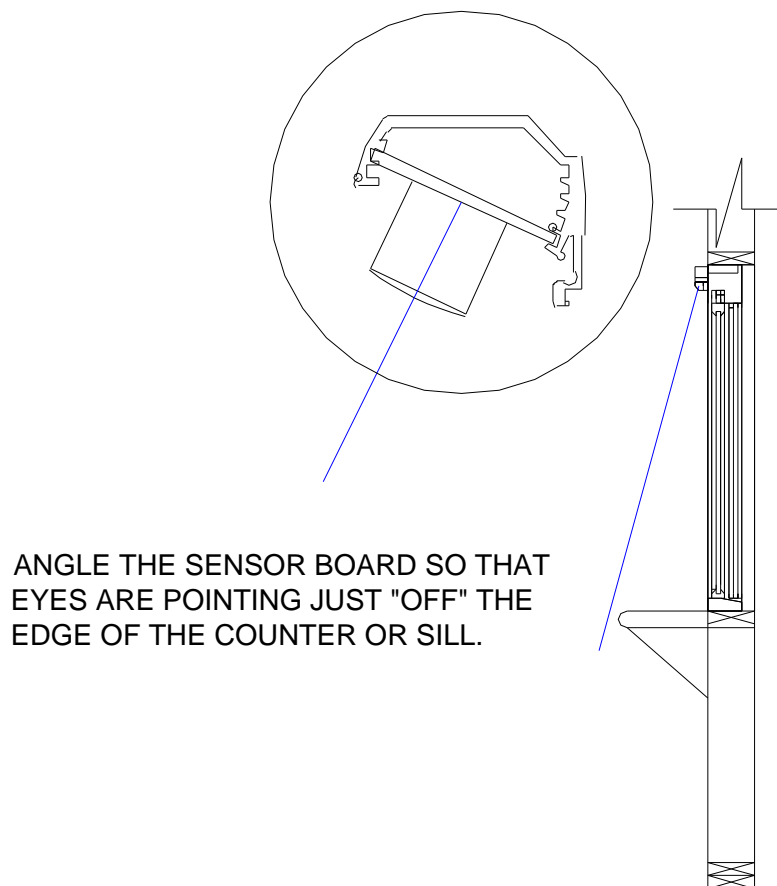


BEA SENSOR ADJUSTMENT

1815 Arthur Drive * West Chicago, IL 60185, Tel: 630-876-7766, Fax: 630-876-7767, Web- www.ready-access.com

INITIAL INSTALLATION SETUP OF THE BEA SENSOR

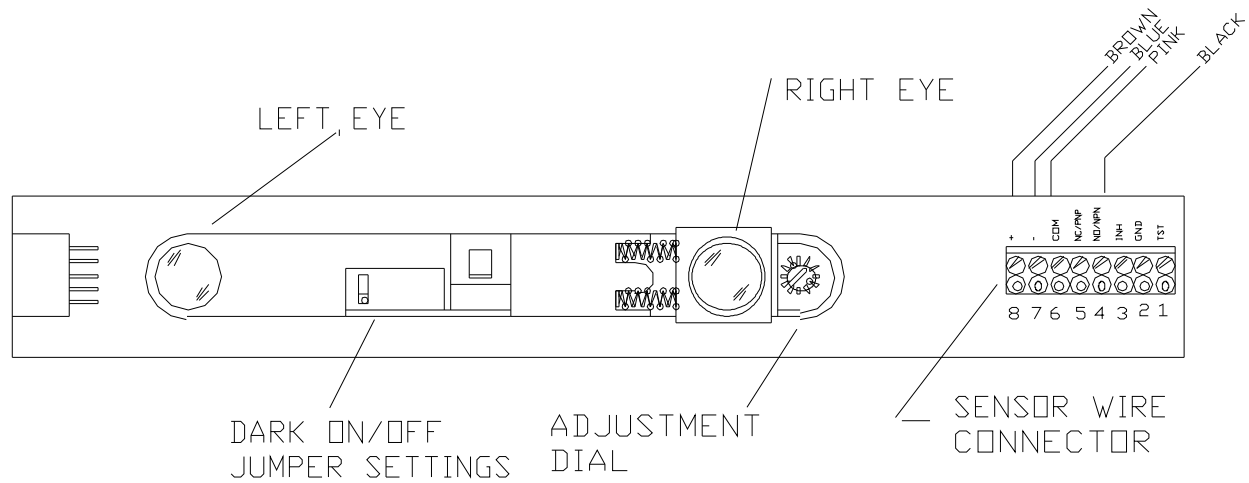
The final adjustment of the sensor is part of the installation process. This is done to ensure the proper operation of the window.



ANGLE THE SENSOR BOARD SO THAT EYES ARE POINTING JUST "OFF" THE EDGE OF THE COUNTER OR SILL.

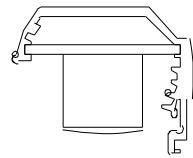
Refer to the following pages or to the adjustment section of the installation manual for procedures

SINCE THIS IS NOT A MANUFACTURING DEFECT, THIS PROCEDURE WILL NOT BE COVERED UNDER WARRANTY.

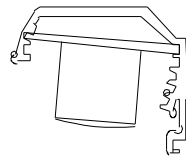


If the Drive-Thru window stays open while standing far away from the wall or the window closes on you while you are passing product out to the customer, Then the angle of the sensor need to be adjusted.

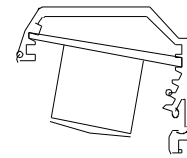
Below are diagrams illustrating the different setting that can be done to adjust the distance from the wall.



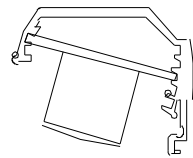
0 DEGREES



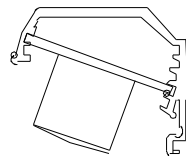
5 DEGREES



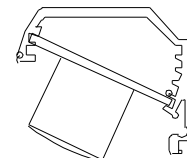
10 DEGREES



15 DEGREES



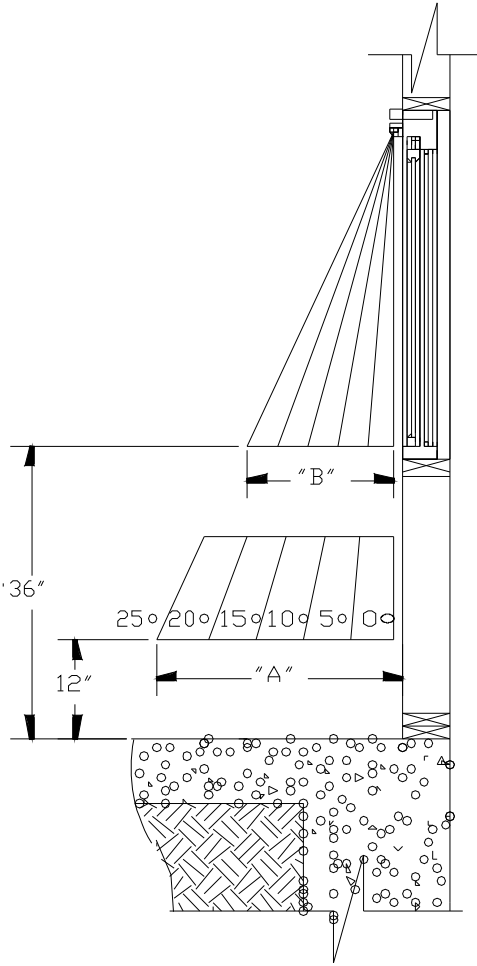
20 DEGREES



25 DEGREES

To adjust the sensor further or closer to the wall, follow the following steps.

1. Remove the header cover from the drive-thru window frame.
2. Disconnect the sensor from the inline connector.
3. Remove the (2) ¼" Hex head screws from the back of the cover that mounts the sensor to the cover.
4. Once the sensor has been removed, remove the eye control board from the sensor body.
5. Position the white plastic clips around the eye control board as illustrated on the previous page. (Reference the chart below to achieve the proper setting that is needed for your application.)
6. Once setting has been determined, insert the eye control board back into the housing.
7. Remount the sensor housing onto the cover.
8. Reconnect the sensor wires.
9. Attach the header cover to the drive-thru window.



RANGE OF SENSOR FROM WALL REFERENCE CHART							
600 Series	"A" DIMENSION RANGE WITH 12" DEAD ZONE FROM FLOOR						
UNIT HEIGHT	DEGREE	0°	5°	10°	15°	20°	25°
43-1/2"	"A"	1"	6-1/2"	12"	18"	24"	30-1/2"
35-3/4"		1"	6"	10"	16"	21"	27"
30"		1"	5-1/2"	9"	14"	19"	24"

RANGE OF SENSOR FROM WALL AT THE WINDOW SILL REFERENCE CHART							
600 Series	"A" DIMENSION RANGE AT 36" FROM FLOOR						
UNIT HEIGHT	DEGREE	0°	5°	10°	15°	20°	25°
43-1/2"	"B"	1"	4-1/2"	8"	11-1/2"	15"	19-1/2"
35-3/4"		1"	3-1/2"	6"	9-1/2"	12"	15-1/2"
30"		1"	3"	5"	8"	10"	13"

BEA SENSOR ADJUSTMENT