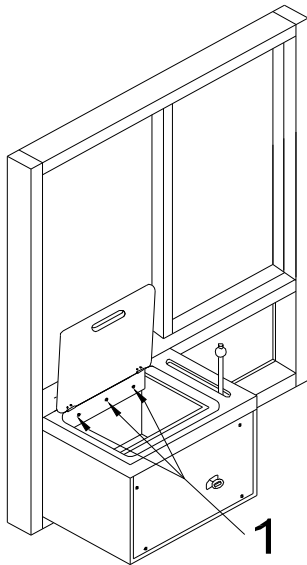


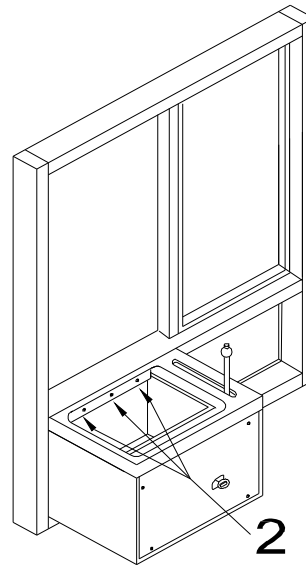


Model 601 Drawer Removal

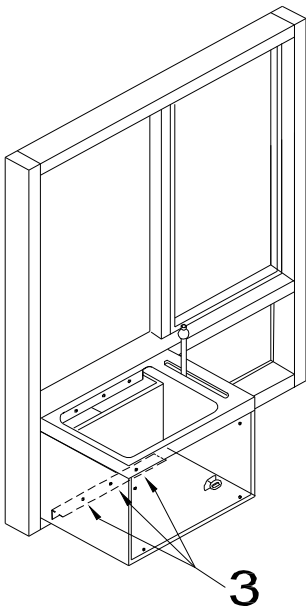
1815 Arthur Drive * West Chicago, IL 60185, Tel: 630-876-7766, Fax: 630-876-7767, Website - www.ready-access.com



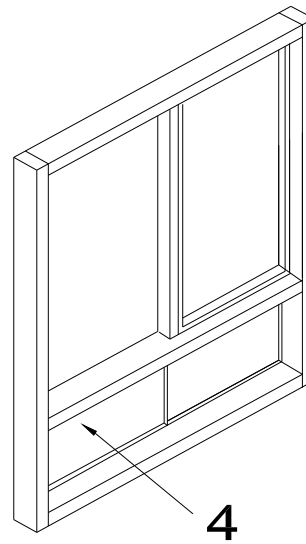
REMOVE THE TOP LID.
3 SCREWS LOCATED UNDER THE
DRAWER LID.



REMOVE THE 3 SCREWS LOCATED
BEHIND THE HINGE PLATE.
(CUT THE SILICONE SEALANT AROUND
THE OUTSIDE EDGE OF THE DRAWER
FRAME.)



REMOVE THE 3 SCREWS HOLDING THE
DRAWER ASSEMBLY TO THE WINDOW
SUPPORT ANGLE.
(THE DRAWER AND SUPPORT FRAME
REMOVE TOWARDS THE INSIDE OF THE
WINDOW.)



CLEAN AND PREP THE WINDOW FRAME.
INSTALL THE REPLACEMENT DRAWER OR
PANEL, ARMOR INSERT AND INSIDE PANEL.
(RESEAL THE OUTSIDE EDGES WITH SILICONE.)