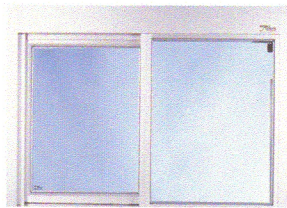
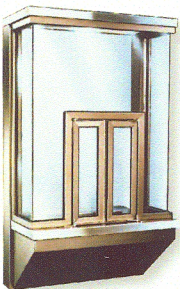
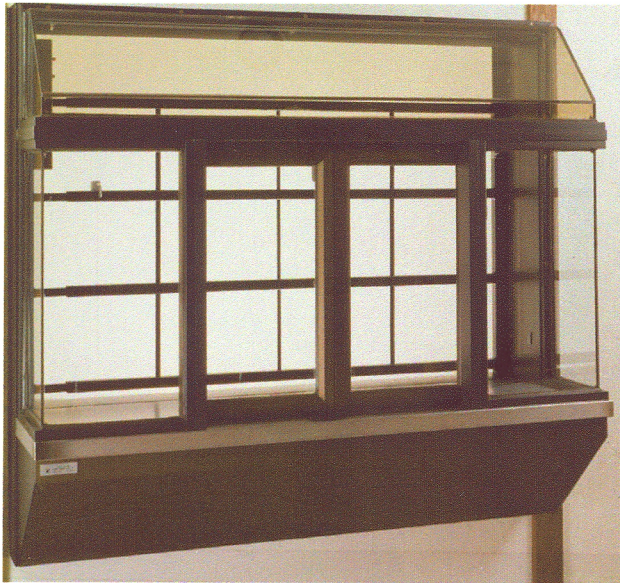




Makes Affordable Security Simple

1815 Arthur Drive West Chicago, IL 60185 Toll Free: 1-800-621-5045 Fax: 630-876-7767

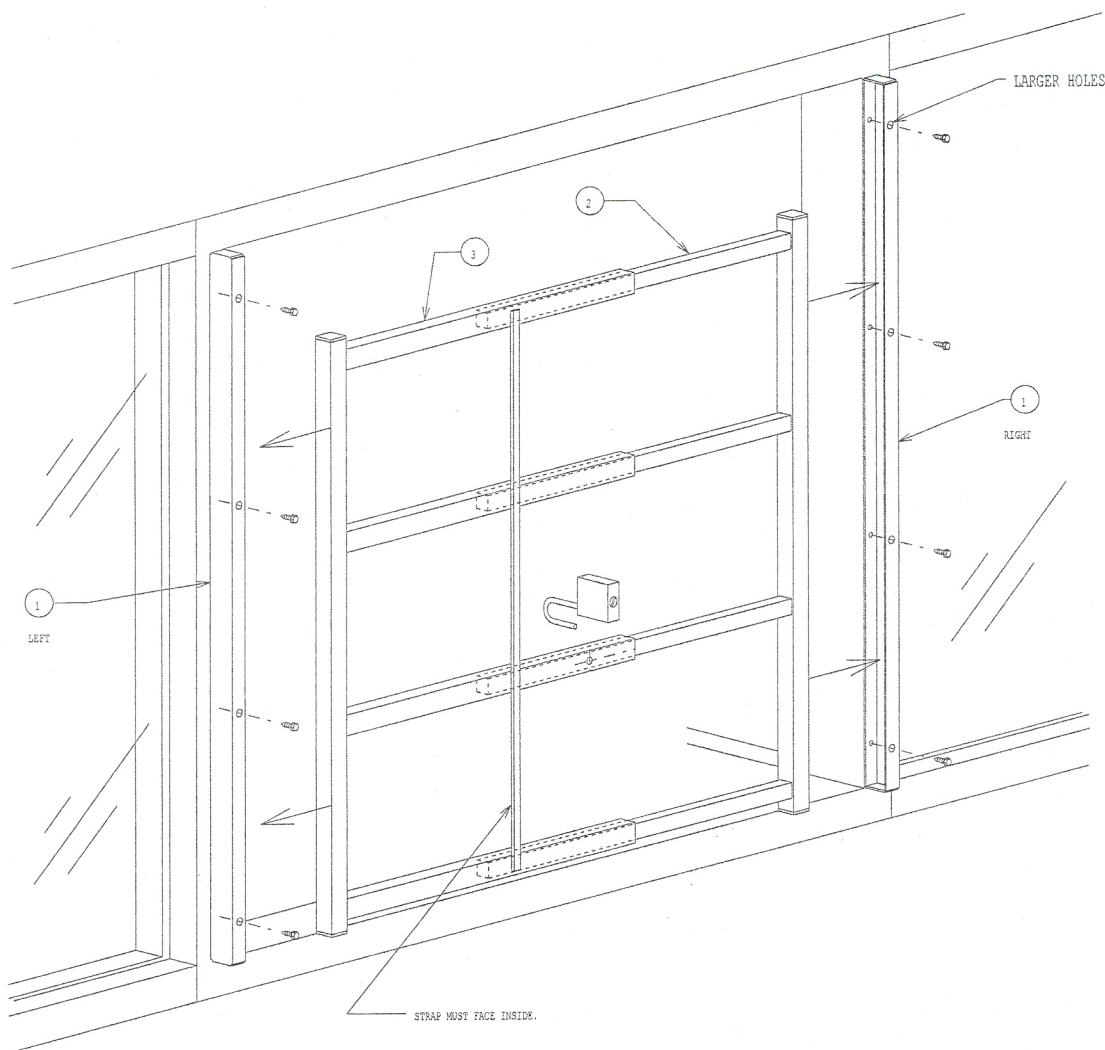


Highly visible from the outside, Ready Access Security Bars discourage break-in attempts that can result in theft and vandalism. They also prevent potential loss due to after hour inventory shrinkage.

Features:

- Mounting hardware and padlock with every model.
- Simple attachment – Bars are easy to install and secure in seconds.
- Lightweight and easy to store.
- Bars fit both styles of Ready Access widows (Bump-Out and Flush Mount) as well as other manufacturers' models.

Secure your store and your profits. Contact your Ready Access Representative today



MOUNTING INSTRUCTIONS

A) LINE UP CHANNEL, ITEM 1, FLUSH WITH OUTER EDGE OF THE VERTICAL WINDOW FRAME

* NOTE: LARGER DIAMETER HOLE FACES INSIDE (SEE ILLUSTRATION).

MARK AND DRILL 8 HOLES WITH 11/64 DIA. DRILL BIT (4 PER CHANNEL).

FASTEN CHANNELS, ITEM 1, TO WINDOW FRAME USING 8 - #12 SELF TAPPING SCREWS.

B) PLACE TELESCOPING BAR ASSEMBLY, ITEM 2, INTO THE CHANNEL OPPOSITE THE DOOR HANDLE AND FULLY EXPAND THE HORIZ. BAR ASSEMBLY, ITEM 3, INTO THE OPPOSITE CHANNEL. NOTE: CAREFULLY "CLEAR" THE HANDLE BEFORE EXPANDING. USING HOLE LOCATED IN 2ND TUBE DRILL COMPLETELY THROUGH INNER TUBE USING 9/32" DIA. DRILL BIT.

* NOTE: HORIZ. AND TELESCOPING BAR ASSEMBLIES MUST BE SEATED COMPLETELY WITHIN CHANNELS BEFORE DRILLING HOLE.

C) INSERT PADLOCK SHACKLE THROUGH 9/32" HOLE AND SECURE LOCK.

Size	Bars / Rails	Dimensions	Fits On
Small	Fully Extended	31" x 28 3/4"	B/O-1
	Collapsed	21 1/4" x 28 3/4"	B/O-2
	Side Rails	34"	B/O-4
Large	Fully Extended	57" x 28 3/4"	B/O-10
	Collapsed	47 x 28 3/4"	Model 275
	Side Rails	34"	Model 131