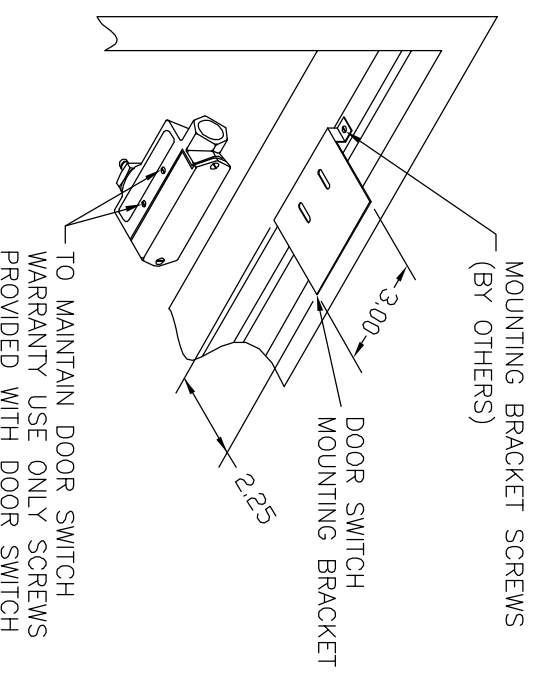


ADJUSTMENT NOTE:
 Adjust the door limit switch to the door switch mounting bracket so that when the door closes, the plunger part of the door limit switch is compressed until you hear a clicking sound from the door limit switch.



INSTALLATION INSTRUCTIONS:

1. Install door switch mounting bracket on the lowest part of the door header using the appropriate screws.
2. Attach Plunger Door Switch to Mounting Bracket with provided screws only.
3. See Adjustment note for proper alignment of Door Switch.
4. Run Flexible Conduit and wiring from Door Switch to Air Curtain.
5. Test the Door Switch by moving the door.

PROJECT	-	TITLE	BERNER
LOCATION	-	PLUNGER DOOR SWITCH MOUNTING	
ARCHITECT	-	ON A MANUAL SWING DOOR	
ENGINEER	-		
DWG. NO.	MSCF0285		
DATE	30MAY2017		
BY	A.Johnston		
CHECK			
JOB NO.			BERNER INTERNATIONAL CORP. NEW CASTLE, PA