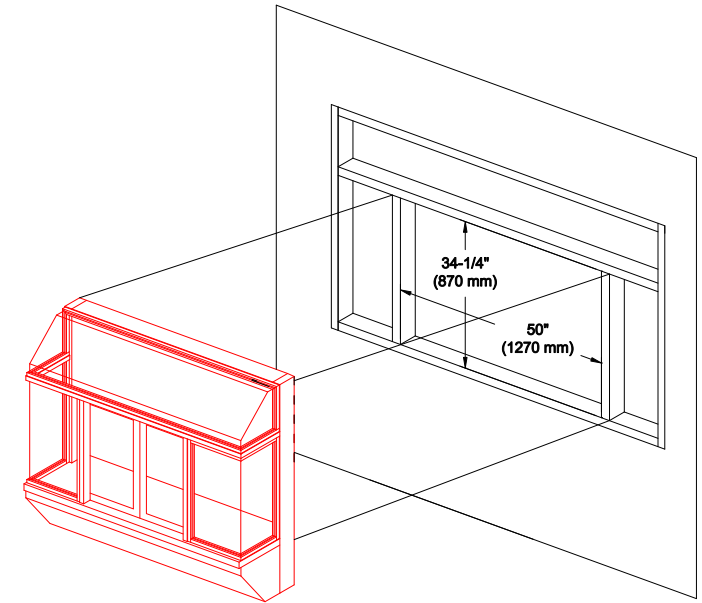
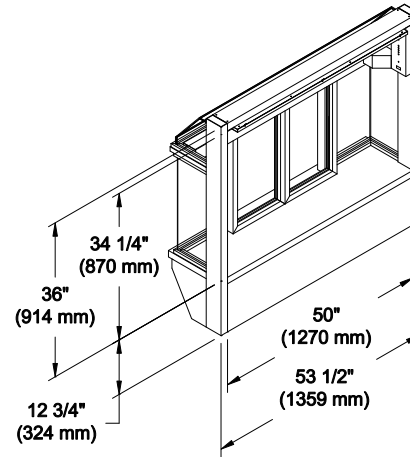
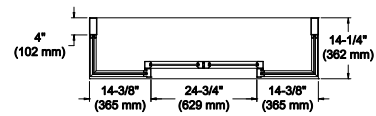
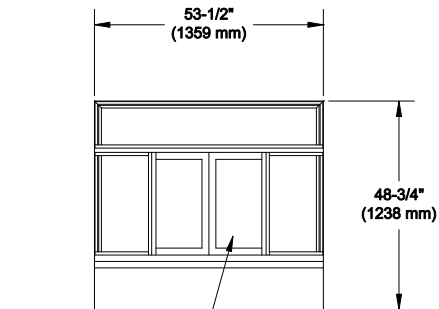


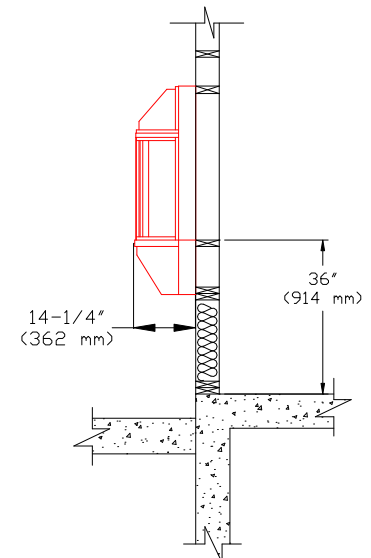
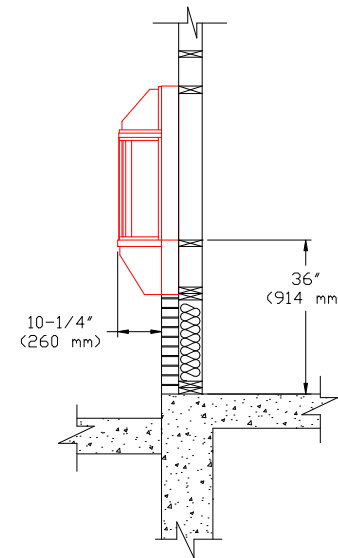
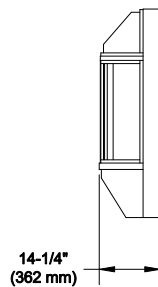
**MASONRY WALL
ROUGH OPENING**



**GLASS STORE FRONT
DAYLIGHT OPENING**



19\"/>



SERVICE OPENING ADJUSTS TO 12\"/>

GLAZING ROUGH OPENING = 50\"/>

MASONRY ROUGH OPENING = 54\"/>