

What the

BEST DRESSED



Drive-thru is Wearing

Security Window 602/604 Series Bumpout Model



Introducing the only completely modular security drive-thru system designed to meet your specific security needs. With options including a selection of security glazing, a bullet resistant transaction drawer, and a fixed or moveable service door, this window is adaptable to your level of security needs.

- **The 602 Series has a moveable Service Panel.** This offers the option of serving customers personally. The service panel self latches each time it closes and features a deadbolt lock for complete security during closed hours. Operating Options; Manual Open/Self Closing, Manual Open/Electronic Release, Fully Automatic Electric.
- **The 604 Series has a Stationary Panel.** In high risk areas the fixed glass allows for ample visibility without the risk of face to face contact. Also comes complete with full S.S. inside counter.
- **602/604 Series Window Dimensions:**
47-1/2"W x 60-1/2"H x 17"D
NOTE: Additional Heights Available

- **Security Transaction Drawer:** The stainless steel transaction drawer allows for the secure transfer of goods and currency without the risk of personal contact. A large 18-5/16"W x 9-1/2"H x 14-9/32" Deep transfer area is large enough for a case of soft drinks while the money clip and change cup allow for the convenient handling of money. The drawer automatically locks when closed and has a manual latch lock to prevent break-ins when the facility is closed. Features level 3 bullet resistance protection
NOTE: This drawer is Optional for the 602 Series and Standard on the 604 Series Window.

- **Speaker System.** The prewired speaker system provides clear communication with customers without the need for face to face contact.
NOTE: The speaker system is Optional for the 602 Series and Standard on the 604 Series Window.

- **Fully Assembled, Ready to Install.** Ready Access windows are shipped completely preassembled, and fully glazed for lower installation costs. Normal installation takes less than two hours.

- **Warranty and Service Support.** Your Ready Access window comes with a one year limited warranty on parts and labor. In addition, each window is backed by a world wide service organization.

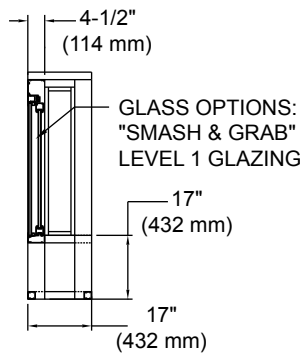
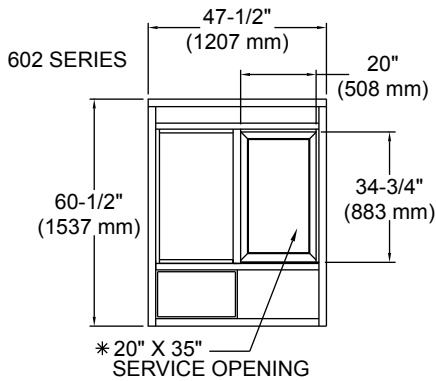
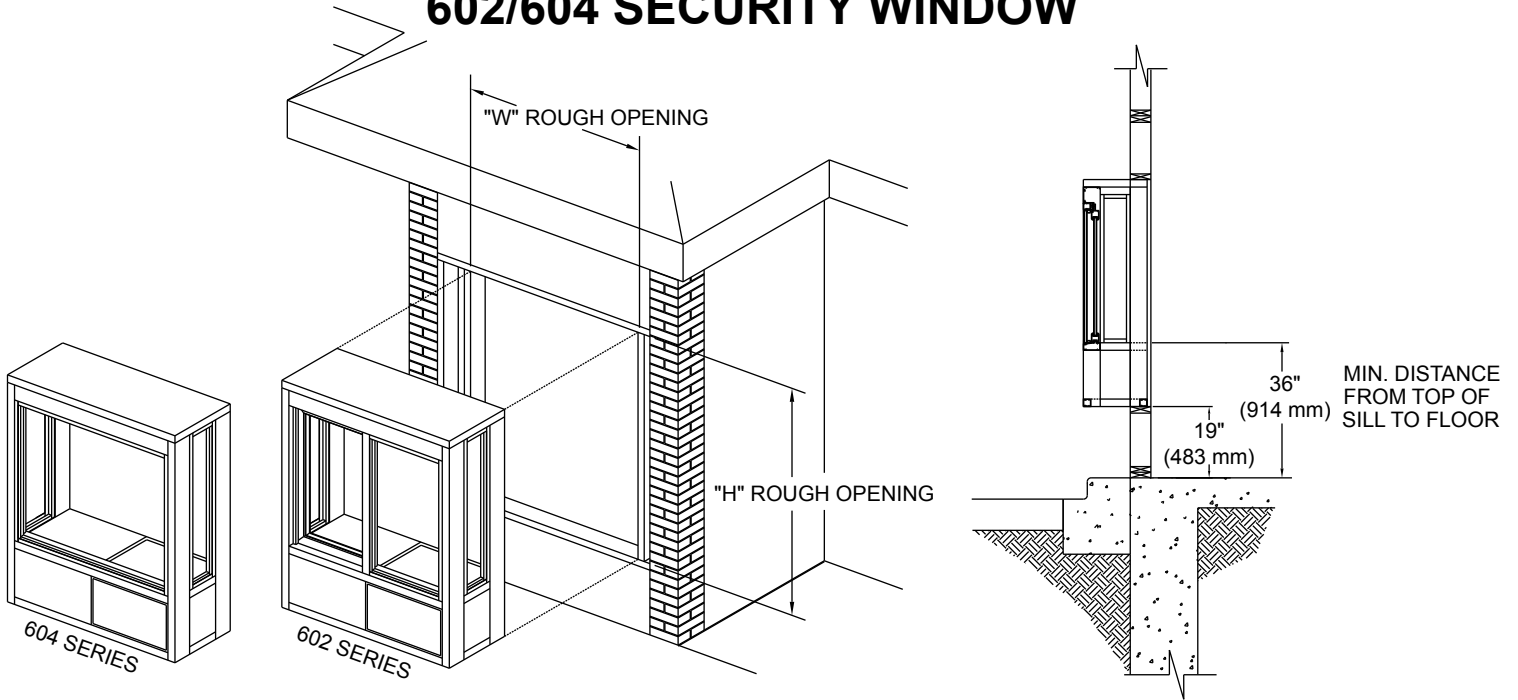
GLASS OPTIONS: 602 SERIES

- **Impact Resistant Glazing:** Offers protection against "smash & grab" theft and forced entry.
- **Level 1 Bullet Resistant Glazing:** Offers protection against "smash & grab" theft, forced entry, and gun shots. Glazing is recognized by Underwriters Laboratories as providing Level 1 (9mm) protection per UL Standard 752.
- **604 SERIES:** Level 3 Bullet Resistant Glazing: Ideal for high risk businesses and locations. Protects against break-ins and attacks. Glazing is recognized by Underwriters Laboratories as providing Level 3 (.44 Magnum) handgun protection per UL Standard 752. Note: Other glazing options available.

ARRIVES READY FOR INSTALLATION

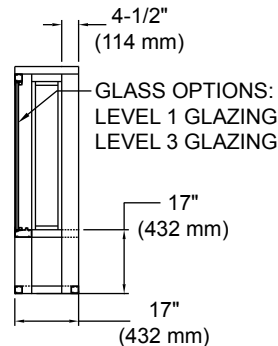
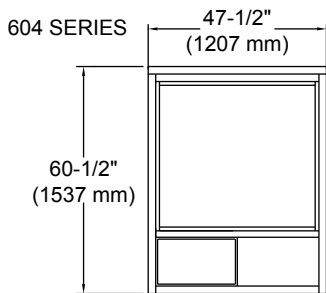
Your Ready Access window is shipped completely assembled and ready for installation. Comes with instructions.

602/604 SECURITY WINDOW



602/604 - 43-1/2"H (60-1/2")

Glazing Rough Opening =
47-3/4"W (1213 mm) x 60-3/4"H (1543 mm)
Masonry Rough Opening =
48"W (1219 mm) x 61"H (1549 mm)



602/604 - 35-3/4"H (52-3/4")

Glazing Rough Opening =
47-3/4"W (1213 mm) x 53"H (1346 mm)
Masonry Rough Opening =
48"W (1219 mm) x 53-1/4"H (1353 mm)

* Three Standard Window Heights

43-1/2" H with 20" x 34-3/4" service opening
35-3/4" H with 20" x 27" service opening



Window must be installed square and plumb.

Installation illustrations are for reference only. Construction and local codes will determine proper installation of window.

Contact Ready Access for more information on installation.