

The 600 series Single Panel Slider with Attached Transom is specified by many multi-unit operators for its quality construction and adaptability to site-specific needs. The attached transom provides extra light and the flexibility to add integrated heated or non-heated air curtains to your design as dictated by the regional climate.

Choose the appropriate glass for your site:

600 INSULATED The 600 series comes standard with 3/4" insulated glass.

600 ENERGY SAVER Choose "Solarban 70XL Insulated Low-E" glass to maximize energy-efficiency and staff comfort. Estimated to save 33% on energy costs associated with the window. NFRC Rated.

600 SECURITY Choose "Lexan Level 1" or "Lexan Level 3" Bullet Resistance or "Smash & Grab" glass, and a security bar set for protection against forced entry.

Choose your mode of operation

◇ **MANUAL OPEN / SELF CLOSE**

Manual open, with patented hands-free gravity close. Economical and easy to maintain.

◇ **MANUAL OPEN / ELECTRONIC RELEASE (MOER)**

Electromagnetic "hold open" feature paired with a presence sensor offers the control of manual open with a gravity-fed close that won't release while interacting with customers. Hands free interaction that is easy to maintain.

◇ **ELECTRIC**

Fully automatic electric, for hands free open & close. Operator steps into overhead beam to activate.



SIZE

Window Frame Size: 47 1/2"W x 43 1/2"H

Service Opening: 19"W x 35" H

Overall Frame Size with 16" Transom: 47.5"W x 59.5" H x 4.5" D

Rough Opening: 48" W x 60" H

Custom sizes available by request

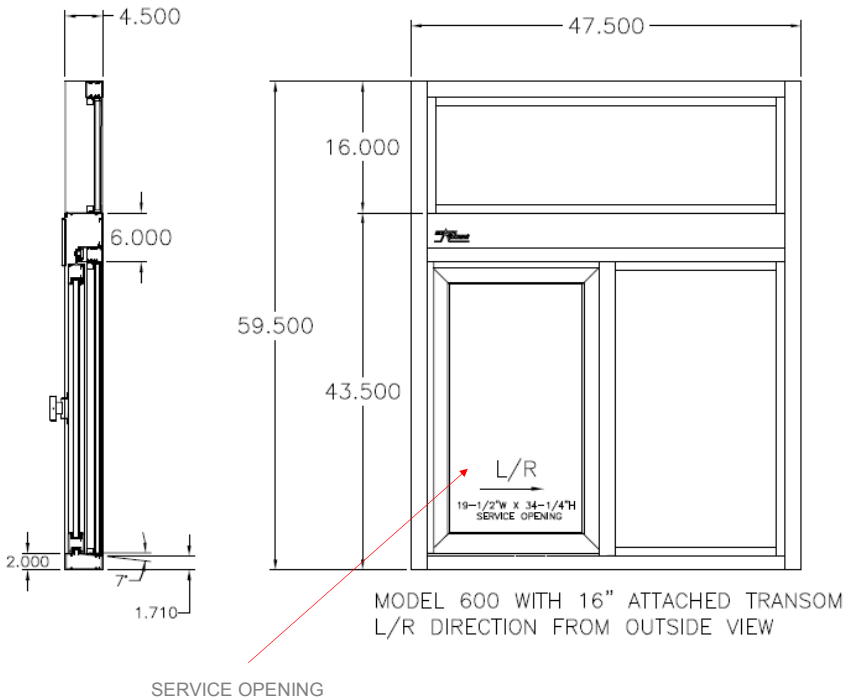
STANDARD FEATURES:

- ◇ Anodized aluminum extrusions and stainless steel combine to give you an attractive window that will not rust, pit or weather
- ◇ Fully assembled, pre-glazed and ready to install
- ◇ 3/4" Insulated Glass
- ◇ Dark Bronze or Clear Anodized Aluminum
- ◇ Self latches every time it closes. Also includes a thumbturn lock, and night locking bar
- ◇ Track free bottom sill provides for a contaminant free surface. Angled toward outside for drainage toward exterior
- ◇ One year parts & labor limited warranty
- ◇ On-staff tech support / stocked parts / nationwide network of service providers.

OPTIONAL FEATURES

Glazing:

- ◇ Solarban 70 XL Insulated Low E
- ◇ Smash & Grab
- ◇ Lexan Level 1 or Level 3
- ◇ Tinting
- ◇ Custom Size Window, Transom, or Sidelight(s)
- ◇ Powder Coat Paint—Tiger Drylac
- ◇ Stainless Steel Shelf to extend sill inside or out (13 ga.)
- ◇ Telescoping Night Time Security Bar Set for additional security
- ◇ AA300 Heated Air Curtain (replaces transom)
- ◇ Transom for AA100 Fly Fan
- ◇ Sidelight (1) 36"w x 59.5"h for overall 7'w x 5'h rough opening
- ◇ Sidelights (2) 18"w x 59.5"h for overall 7'w x 5'h rough opening



All windows are shipped completely pre-assembled, fully glazed, and ready to install.

Installation / Owners manual can be retrieved online:
www.ready-access.com

- ◇ Installation illustrations are for reference only. Construction conditions and local codes prevail.
- ◇ Must be installed level, square and plumb.
- ◇ Recommend approximately 36" from top of sill to interior finished floor (or per local code).
- ◇ 48" W x 60" H rough opening recommended for leveling.

ELECTRIC REQUIREMENTS FOR WINDOW

Run power to header on fixed panel side.

Manual Open / Electronic Release and Fully Automatic Electric:
115 vac—60Hz with a 15 amp dedicated circuit

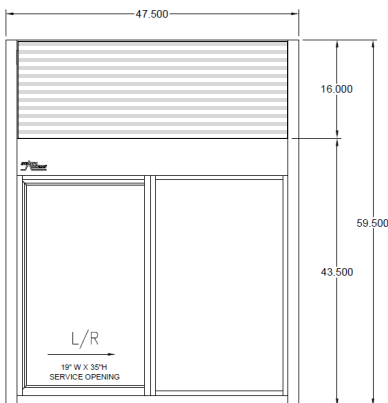
Optional Air Curtain requires separate dedicated circuit

Manual Open / Self Close Window:
No Power Required

VARIATIONS WITH AIR CURTAINS

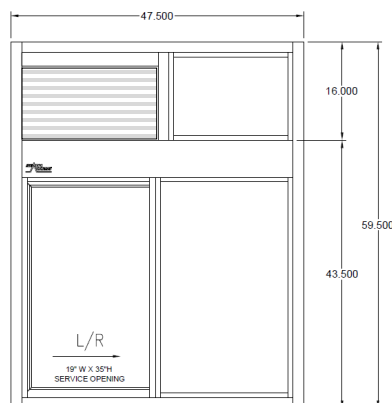
COLD CLIMATES

AA300 HEATED AIR CURTAIN
ILO TRANSOM



WARM CLIMATES

TRANSOM FOR AA100 FLY FAN
STANDARD SERVICE OPENING



WEST COAST

RESTRICTED SERVICE OPENING
TRANSOM FOR AA100 FLY FAN

