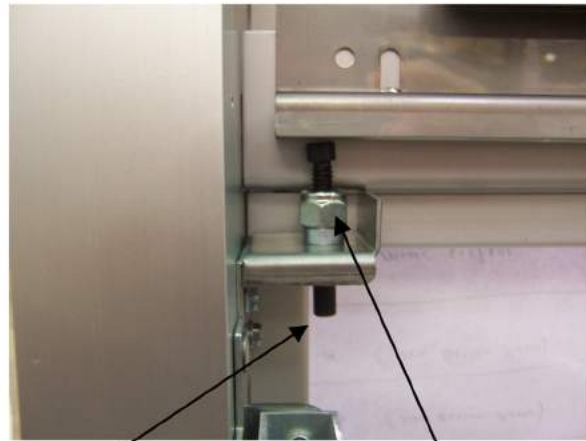


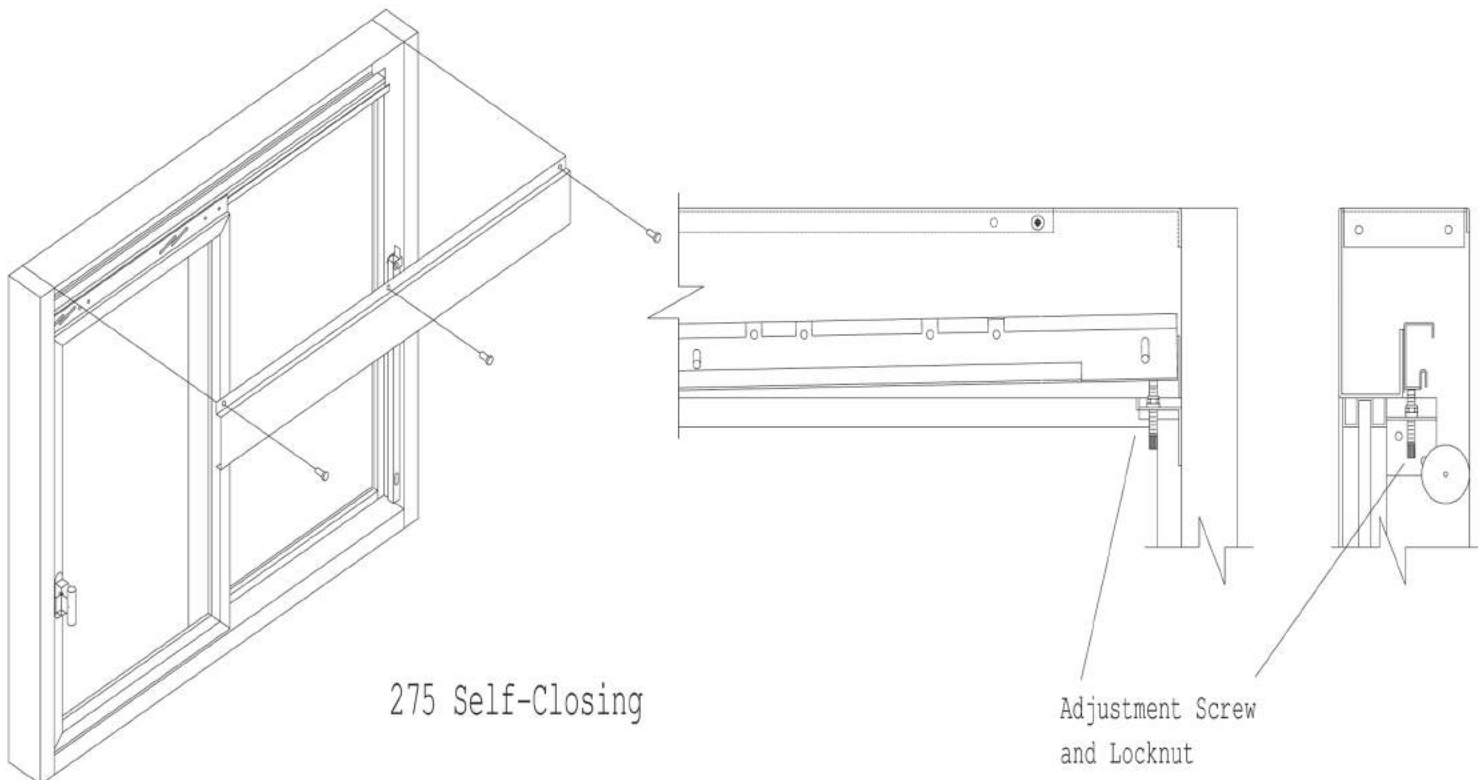
Self-Closing Adjustment

The 275 M.O.E.R. and Self-Closing windows operate using gravity to pull the door closed. Raising or lowering the height of the one side of the track can adjust the speed at which the door closes. This can be done by loosening the lock nut on the adjustment bracket and turning the adjustment screw either in or out.



Adjustment Screw

Lock Nut



275 Self-Closing

Adjustment Screw
and Locknut

The same adjustment is also available on the 600 series, self-closing models. Remove the 3 screws holding the header cover on the window frame to gain access to the adjustment screw and lock nuts