



DEPARTMENT OF REGULATORY AND ECONOMIC RESOURCES (RER)
BOARD AND CODE ADMINISTRATION DIVISION

MIAMI-DADE COUNTY
PRODUCT CONTROL SECTION

11805 SW 26 Street, Room 208
T (786) 315-2590 F (786) 315-2599

www.miamidade.gov/economy

NOTICE OF ACCEPTANCE (NOA)

Ready Access
1815 Arthur Drive
West Chicago, IL 60185

SCOPE:

This NOA is being issued under the applicable rules and regulations governing the use of construction materials. The documentation submitted has been reviewed and accepted by Miami-Dade County RER - Product Control Section to be used in Miami Dade County and other areas where allowed by the Authority Having Jurisdiction (AHJ).

This NOA shall not be valid after the expiration date stated below. The Miami-Dade County Product Control Section (In Miami-Dade County) and/or the AHJ (in areas other than Miami-Dade County) reserve the right to have this product or material tested for quality assurance purposes. If this product or material fails to perform in the accepted manner, the manufacturer will incur the expense of such testing and the AHJ may immediately revoke, modify, or suspend the use of such product or material within their jurisdiction. RER reserves the right to revoke this acceptance, if it is determined by Miami-Dade County Product Control Section that this product or material fails to meet the requirements of the applicable building code.

This product is approved as described herein, and has been designed to comply with the Florida Building Code, including the High Velocity Hurricane Zone.-

DESCRIPTION: Series "Ready Access" Aluminum Drive-Through Window – N.I.

APPROVAL DOCUMENT: Drawing No. S-2553, titled "Ready Access Drive Through Window 'Non-Impact'", sheets 1 through 10 of 10, dated 06/16/05, with revision #5 dated 02/29/16, prepared by RW Building Consultants, Inc., signed and sealed by Lyndon F. Schmidt, P.E., bearing the Miami-Dade County Product Control Revision stamp with the Notice of Acceptance number and expiration date by the Miami-Dade County Product Control Section.

MISSILE IMPACT RATING: None

LABELING: Each unit shall bear a permanent label with the manufacturer's name or logo, city, state, model/series, and following statement: "Miami-Dade County Product Control Approved", unless otherwise noted herein.

RENEWAL of this NOA shall be considered after a renewal application has been filed and there has been no change in the applicable building code negatively affecting the performance of this product.

TERMINATION of this NOA will occur after the expiration date or if there has been a revision or change in the materials, use, and/or manufacture of the product or process. Misuse of this NOA as an endorsement of any product, for sales, advertising or any other purposes shall automatically terminate this NOA. Failure to comply with any section of this NOA shall be cause for termination and removal of NOA.

ADVERTISEMENT: The NOA number preceded by the words Miami-Dade County, Florida, and followed by the expiration date may be displayed in advertising literature. If any portion of the NOA is displayed, then it shall be done in its entirety.

INSPECTION: A copy of this entire NOA shall be provided to the user by the manufacturer or its distributors and shall be available for inspection at the job site at the request of the Building Official.

This NOA revises and renews NOA# 10-0224.02 and consists of this page 1 and evidence page E-1, as well as approval document mentioned above.

The submitted documentation was reviewed by **Manuel Perez, P.E.**



Handwritten signature and date: 6/11/16

NOA No. 16-0307.07
Expiration Date: February 16, 2021
Approval Date: June 09, 2016
Page 1

Ready Access

NOTICE OF ACCEPTANCE: EVIDENCE SUBMITTED

A. DRAWINGS

1. Manufacturer's die drawings and sections.
(Submitted under NOA # 05-0719.04)
2. Drawing No. **S-2553**, titled "Ready Access Drive Through Window 'Non-Impact'", dated 06/16/05, with revision #5 dated 02/29/16, sheets 1 through 10 of 10, prepared by RW Building Consultants, Inc., signed and sealed by Lyndon F. Schmidt, P.E.

B. TESTS

1. Test reports on: 1) Air Infiltration Test, per FBC, TAS 202-94
2) Uniform Static Air Pressure Test, Loading per FBC TAS 202-94
3) Water Resistance Test, per FBC, TAS 202-94
4) Forced Entry Test, per ASTM F588-04, TAS 202-94
along with marked-up drawings and installation diagram of aluminum pass through window, prepared by American Test Lab, Inc. Test Report No. **ATLNC-1108.01-04R**, dated 11/08-11/04, and addendum letter dated 08/29/05, both signed and sealed by David Johnson, P.E.
(Submitted under NOA # 05-0719.04)

C. CALCULATIONS

1. Anchor verification calculations and structural analysis, complying with **FBC-5th Edition (2014)**, dated 02/29/16, prepared by RW Building Consultants, Inc., signed and sealed by Lyndon F. Schmidt, P.E.
2. Glazing complies with **ASTM E1300-04**

D. QUALITY ASSURANCE

1. Miami-Dade Department of Regulatory and Economic Resources (RER).

E. MATERIAL CERTIFICATIONS


1. None.

F. STATEMENTS

1. Statement letter of conformance, complying with **FBC-5th Edition (2014)**, and of no financial interest, dated February 29, 2016, issued by RW Building Consultants, Inc., signed and sealed by Lyndon F. Schmidt, P.E.

G. OTHER

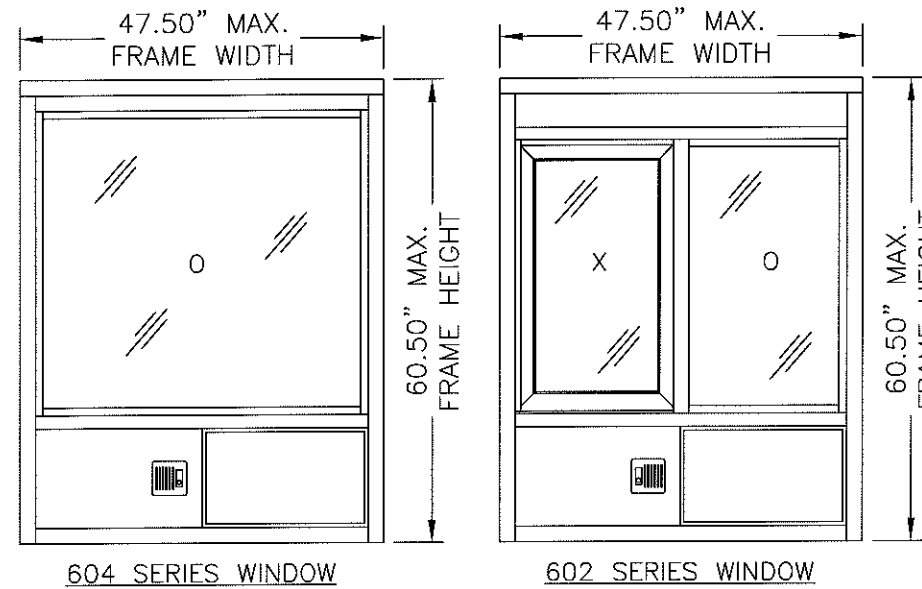
1. Notice of Acceptance No. **10-0224.02**, issued to Ready Access for their Series Ready Access Aluminum Drive Through Window – N.I., approved on 05/05/10 and expiring on 02/16/16.


Manuel Perez, P.E.
Product Control Examiner
NOA No. 16-0307.07
Expiration Date: February 16, 2021
Approval Date: June 09, 2016



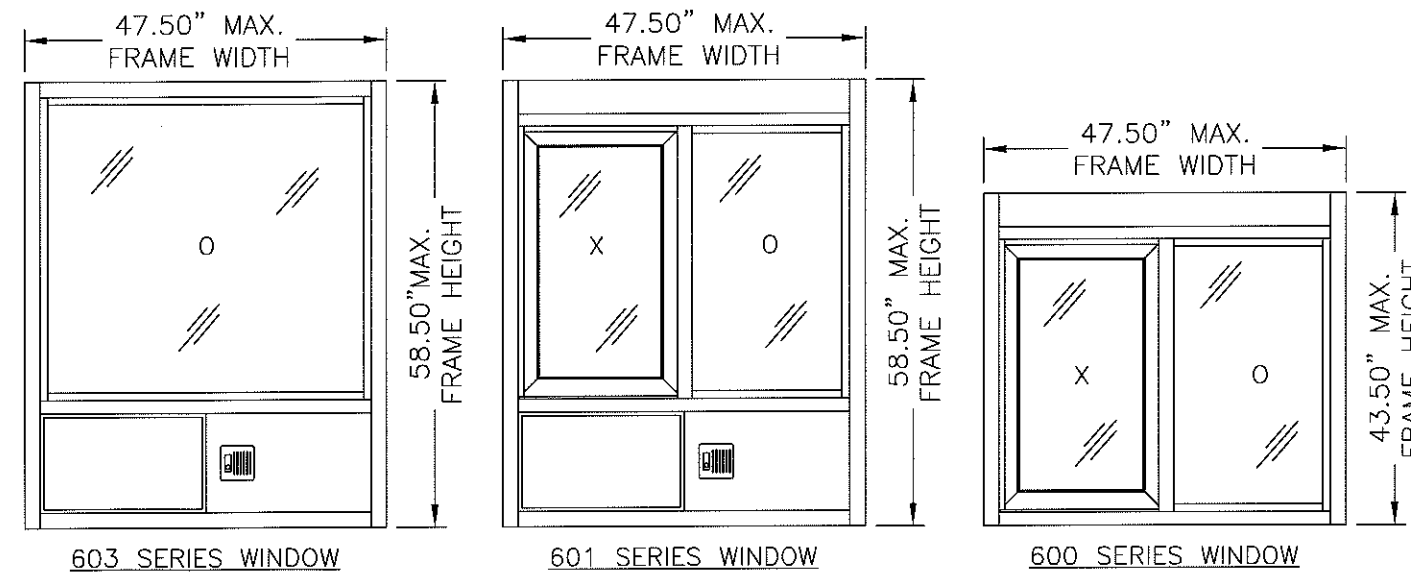
1815 Arthur Drive • West Chicago, Illinois 60185 • 800-621-5045 • 630-876-7766 • Fax 630-876-7767

READY ACCESS DRIVE THROUGH WINDOW "NON-IMPACT"



604 SERIES WINDOW

602 SERIES WINDOW



603 SERIES WINDOW

601 SERIES WINDOW

600 SERIES WINDOW

GENERAL NOTES

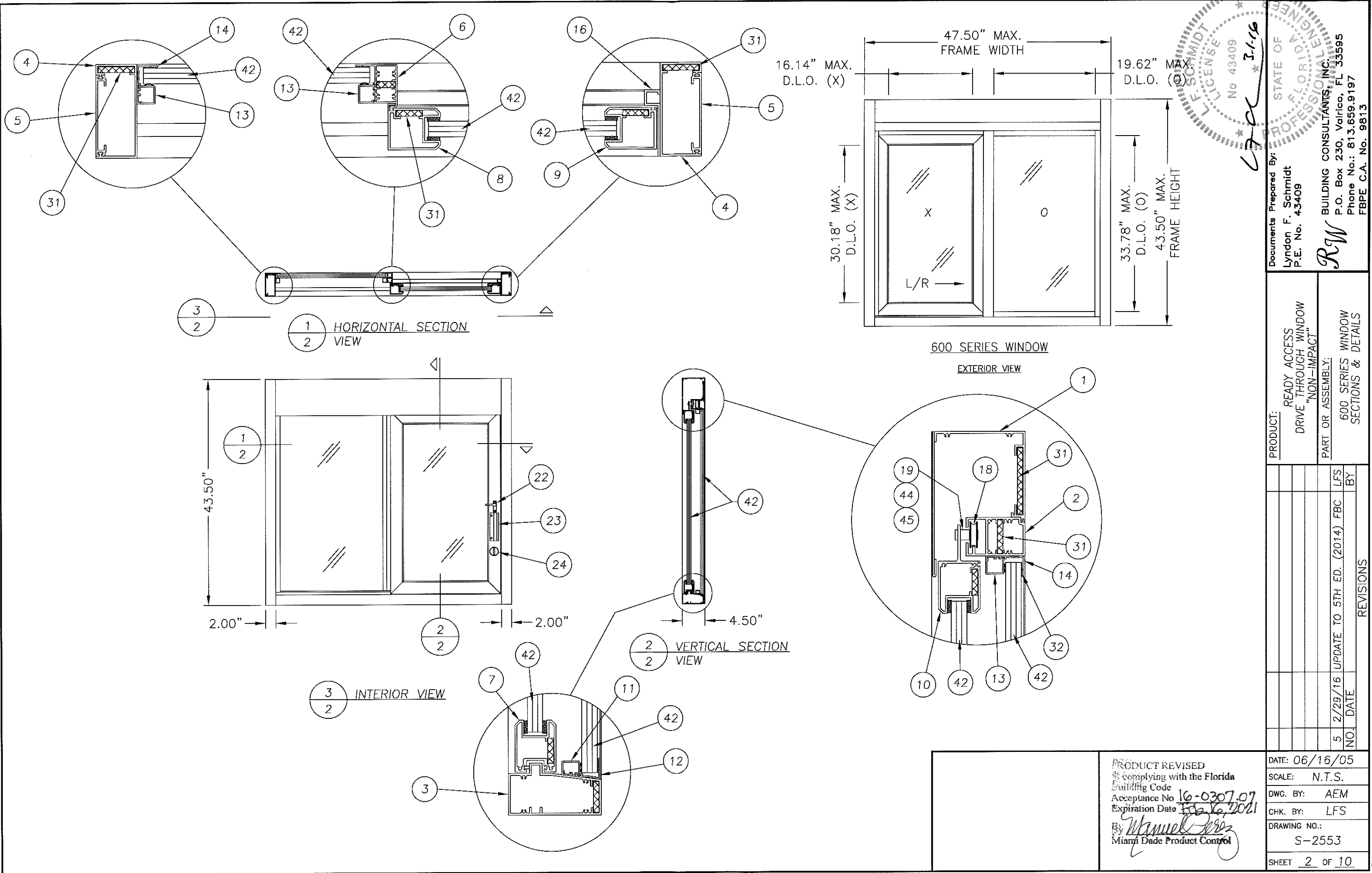
1. THIS PRODUCT HAS BEEN EVALUATED AND IS IN COMPLIANCE WITH THE 5TH EDITION (2014) FLORIDA BUILDING CODE (FBC) INCLUDING THE "HIGH VELOCITY HURRICANE ZONE" (HVHZ).
2. PRODUCT ANCHORS SHALL BE AS LISTED AND SPACED AS SHOWN ON DETAILS. ANCHOR EMBEDMENT TO BASE MATERIAL SHALL BE BEYOND WALL DRESSING OR STUCCO.
3. WHEN USED IN THE "HVHZ", THIS PRODUCT IS REQUIRED TO BE PROTECTED WITH AN IMPACT RESISTANT COVERING THAT COMPLIES WITH SECTION 1626 OF THE FBC.
4. FOR 2X STUD FRAMING CONSTRUCTION, THE ANCHORING OF THESE UNITS SHALL BE THE SAME AS THAT SHOWN FOR 2X BUCK MASONRY CONSTRUCTION.
5. CONDITIONS NOT COVERED BY THIS DRAWING ARE SUBJECT TO FURTHER ENGINEERING ANALYSIS.
6. WOOD BUCKS BY OTHERS, MUST BE ANCHORED PROPERLY TO TRANSFER LOADS TO STRUCTURE AND TO BE REVIEWED BY BUILDING OFFICIAL.
7. FOR DESIGN PRESSURE RATING SEE CHART THIS SHEET.
8. THIS PRODUCT MEETS THE WATER REQUIREMENTS FOR HIGH VELOCITY HURRICANE ZONES.

PRODUCT REVISED as complying with the Florida Building Code Acceptance No 16-030707 Expiration Date Feb 16, 2021
 By *Manuel Lopez* Miami Dade Product Control
 3.1.16
 No 43409
 STATE OF FLORIDA
 PROFESSIONAL ENGINEER
 Lyndon F. Schmidt
 P.E. No. 43409
 BUILDING CONSULTANTS, INC.
 P.O. Box 230, Valrico, FL 33595
 Phone No.: 813.659.9197
 FBPE C.A. No. 9813

PRODUCT:	READY ACCESS DRIVE THROUGH WINDOW "NON-IMPACT"
PART OR ASSEMBLY:	TYPICAL ELEVATIONS, DESIGN PRESSURE & GENERAL NOTES
DATE	2/29/16
NO.	5
BY	LFS
REVISIONS	
DATE:	06/16/05
SCALE:	N.T.S.
DWG. BY:	AEM
CHK. BY:	LFS
DRAWING NO.:	S-2553
SHEET	1 OF 10

TABLE OF CONTENTS	
SHEET #	DESCRIPTION
1	TYPICAL ELEVATIONS, DESIGN PRESSURE & GENERAL NOTES
2	600 SERIES WINDOW SECTIONS & DETAILS
3	601 SERIES WINDOW SECTIONS & DETAILS
4	602 SERIES WINDOW SECTIONS & DETAILS
5	603 SERIES WINDOW SECTIONS & DETAILS
6	604 SERIES WINDOW SECTIONS & DETAILS
7	ANCHORING WITH SHEET METAL SCREWS
8	ANCHORING WITH WOOD OR CONCRETE SCREWS
9	COMPONENTS
10	BILL OF MATERIALS, COMPONENTS & GLAZING DETAILS

MODEL	OVERALL FRAME DIMENSION	OVERALL DAYLIGHT DIMENSION	GLASS TYPE	DESIGN PRESSURE RATINGS (PSF)			
				WHEN WATER INFILTRATION REQ'D		WHEN WATER INFILTRATION NOT REQ'D	
600	47.50" X 43.50"	(O) 19.62" X 33.78" (X) 16.14" X 30.18"	1/4" TEMP.	+41.6	-41.6	+75.0	-75.0
601	47.50" X 58.50"	(O) 19.62" X 33.78" (X) 16.14" X 30.18"		+41.6	-41.6	+75.0	-75.0
602	47.50" X 60.50"	(O) 19.62" X 33.78" (X) 16.14" X 30.18"	-AIR-	+41.6	-41.6	+75.0	-75.0
603	47.50" X 58.50"	(O) 41.49" X 37.78"	1/4" TEMP.	+41.6	-41.6	+75.0	-75.0
604	47.50" X 60.50"	(O) 41.49" X 37.78"		+41.6	-41.6	+75.0	-75.0



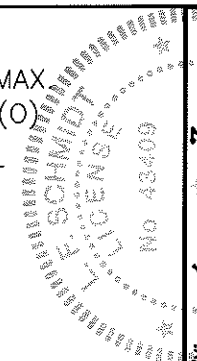
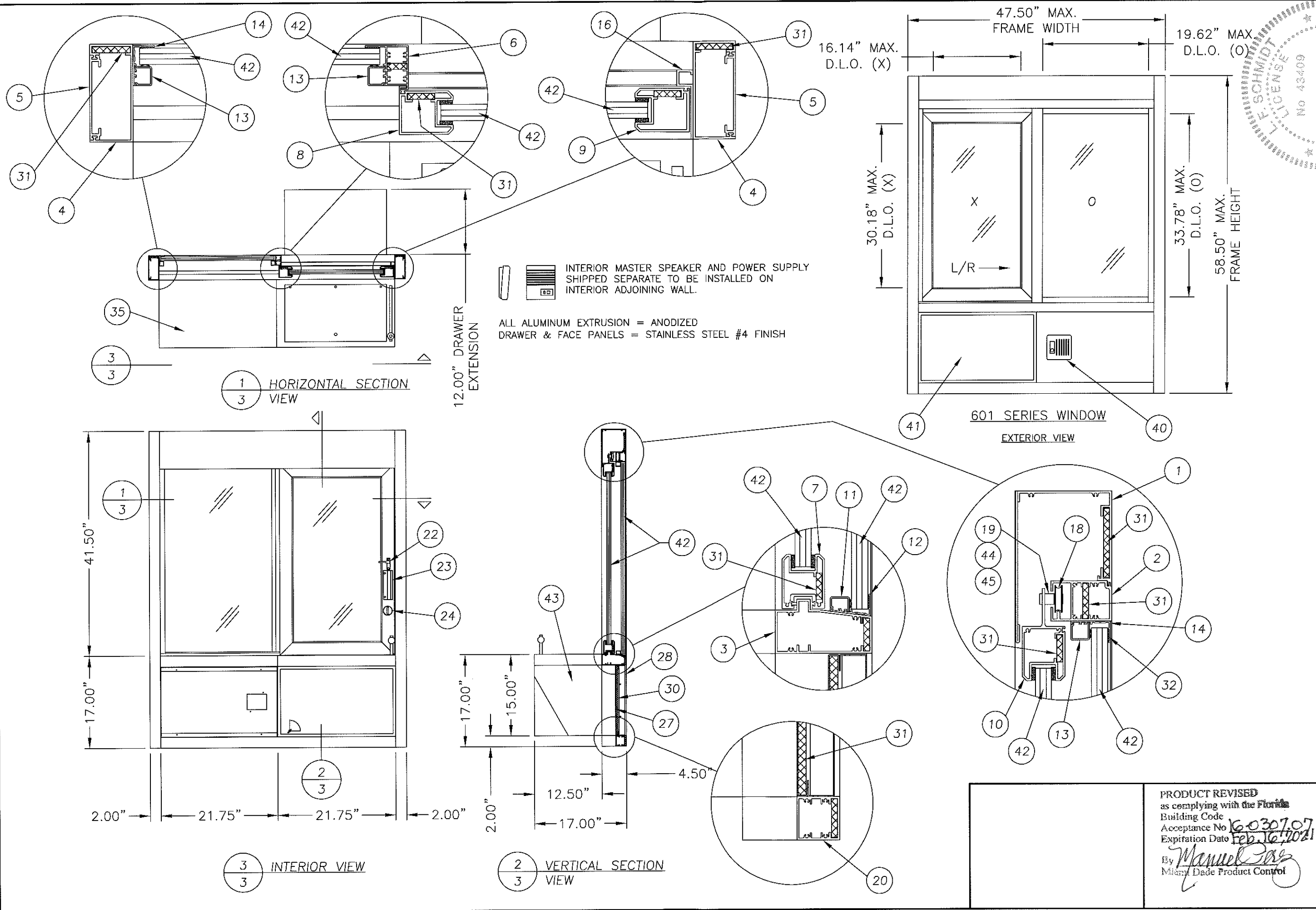
Documents Prepared By: Lyndon F. Schmidt
 P.E. No. 43409
 R.W. BUILDING CONSULTANTS, INC.
 P.O. Box 230, Valrico, FL 33595
 Phone No.: 813.659.9197
 FBPE C.A. No. 9813

PRODUCT: READY ACCESS DRIVE THROUGH WINDOW "NON-IMPACT"
 PART OR ASSEMBLY: 600 SERIES WINDOW SECTIONS & DETAILS

NO.	DATE	REVISIONS
5	2/29/16	UPDATE TO 5TH ED. (2014) FBC
LFS	BY	

DATE: 06/16/05
 SCALE: N.T.S.
 DWG. BY: AEM
 CHK. BY: LFS
 DRAWING NO.: S-2553
 SHEET 2 OF 10

PRODUCT REVISED
 complying with the Florida Building Code
 Acceptance No. 16-0307.07
 Expiration Date Feb 16, 2021
 By Manuel Perez
 Miami Dade Product Control



Documents Prepared By:
 Lyndon F. Schmidt
 P.E. No. 43409

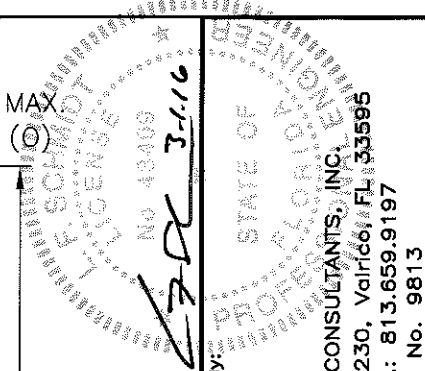
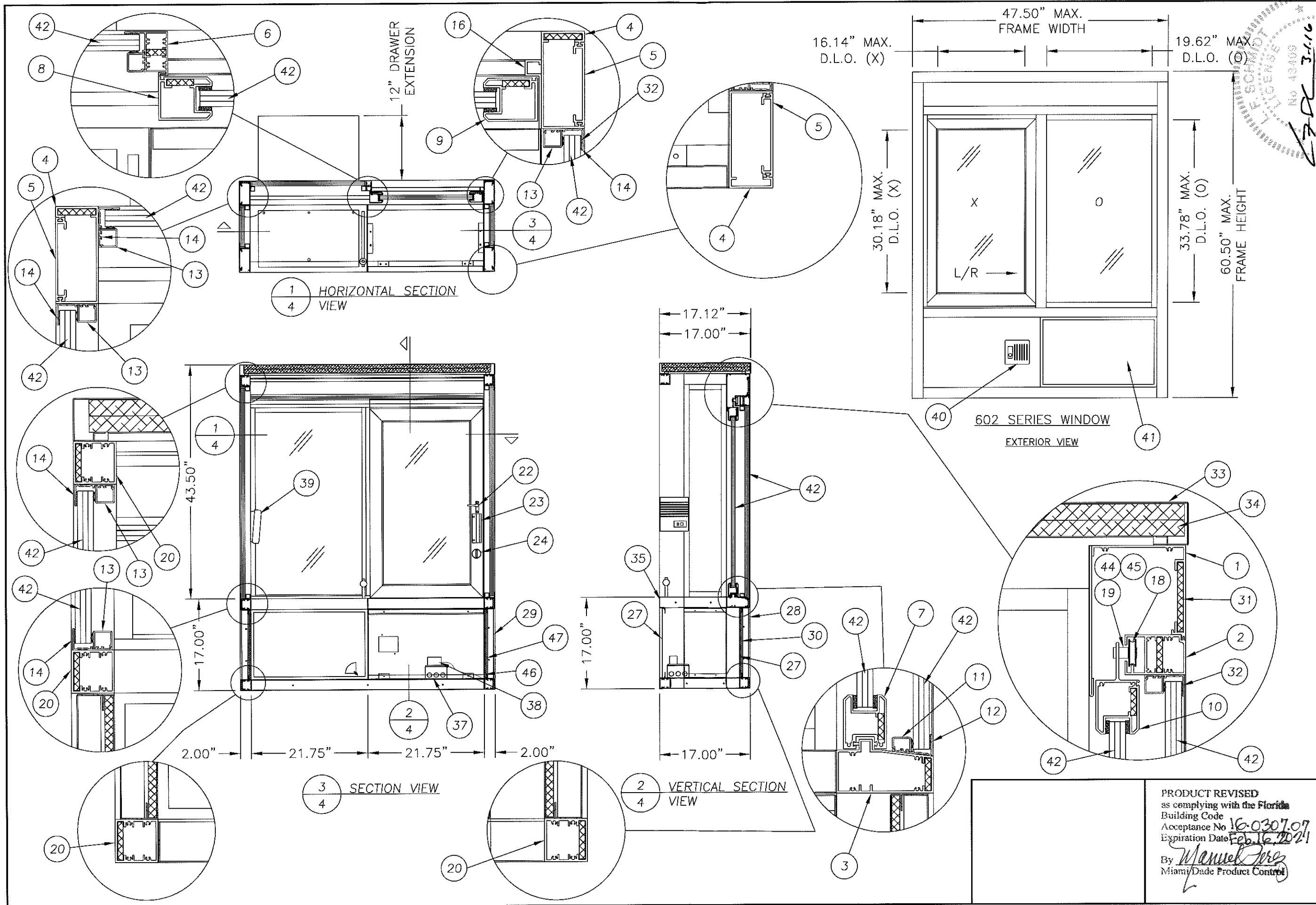
RW BUILDING CONSULTANTS, INC.
 P.O. Box 230, Valrico, FL 33595
 Phone No.: 813.659.9197
 FBPE C.A. No. 9813

PRODUCT: READY ACCESS DRIVE THROUGH WINDOW "NON-IMPACT"
 PART OR ASSEMBLY: 601 SERIES WINDOW SECTIONS & DETAILS

NO.	DATE	DESCRIPTION	LFS	BY
5	2/29/16	UPDATE TO 5TH ED. (2014) FBC		

PRODUCT REVISED as complying with the Florida Building Code Acceptance No. 16-0307.07 Expiration Date Feb. 16, 2021
 By: *Manuel Paez*
 Miami Dade Product Control

DATE: 06/16/05
 SCALE: N.T.S.
 DWG. BY: AEM
 CHK. BY: LFS
 DRAWING NO.: S-2553
 SHEET 3 OF 10



Documents Prepared By:
 Lyndon F. Schmidt
 P.E. No. 43409

RW BUILDING CONSULTANTS, INC.
 P.O. Box 230, Vairi, FL 33595
 Phone No.: 813.659.9197
 FBPE C.A. No. 9813

PRODUCT:
 READY ACCESS
 DRIVE THROUGH WINDOW
 "NON-IMPACT"

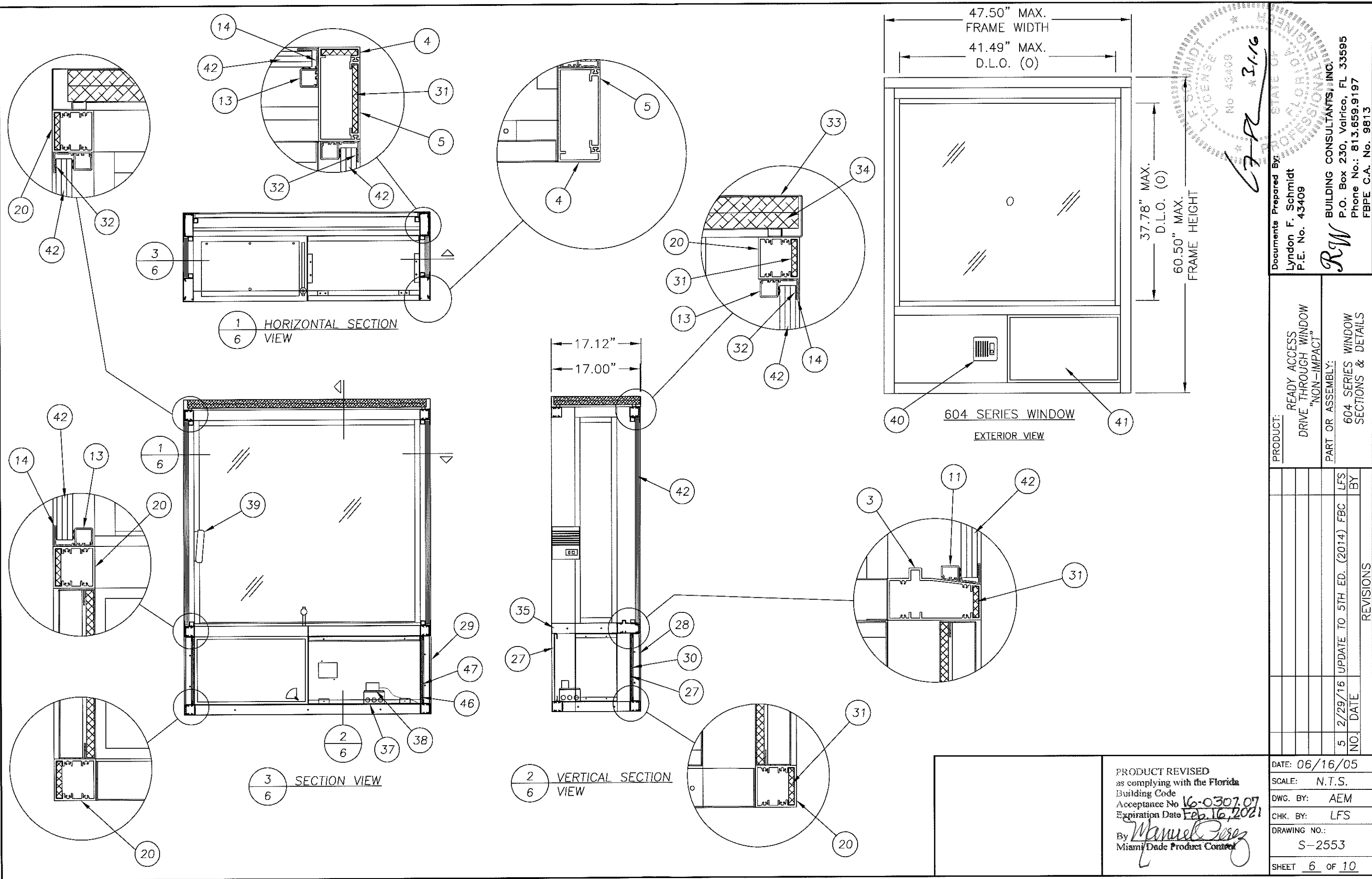
PART OR ASSEMBLY:
 602 SERIES WINDOW
 SECTIONS & DETAILS

NO.	DATE	DESCRIPTION	LFS	BY
5	2/29/16	UPDATE TO 5TH ED. (2014) FBC		
REVISIONS				

PRODUCT REVISED
 as complying with the Florida
 Building Code
 Acceptance No. 16-0307.07
 Expiration Date Feb. 16, 2021

By *Manuel Jerez*
 Miami/Dade Product Control

DATE: 06/16/05
 SCALE: N.T.S.
 DWG. BY: AEM
 CHK. BY: LFS
 DRAWING NO.: S-2553
 SHEET 4 OF 10



Documents Prepared By: *LFS*

 Lyndon F. Schmidt

 P.E. No. 43409

RW BUILDING CONSULTANTS, INC.

 P.O. Box 230, Valrico, FL 33595

 Phone No.: 813.659.9197

 FBPE C.A. No. 9813

PRODUCT:

 READY ACCESS

 DRIVE THROUGH WINDOW

 "NON-IMPACT"

 PART OR ASSEMBLY:

 604 SERIES WINDOW

 SECTIONS & DETAILS

NO.	DATE	REVISIONS	LFS	BY
5	2/29/16	UPDATE TO 5TH ED. (2014) FBC		

PRODUCT REVISED

 as complying with the Florida

 Building Code

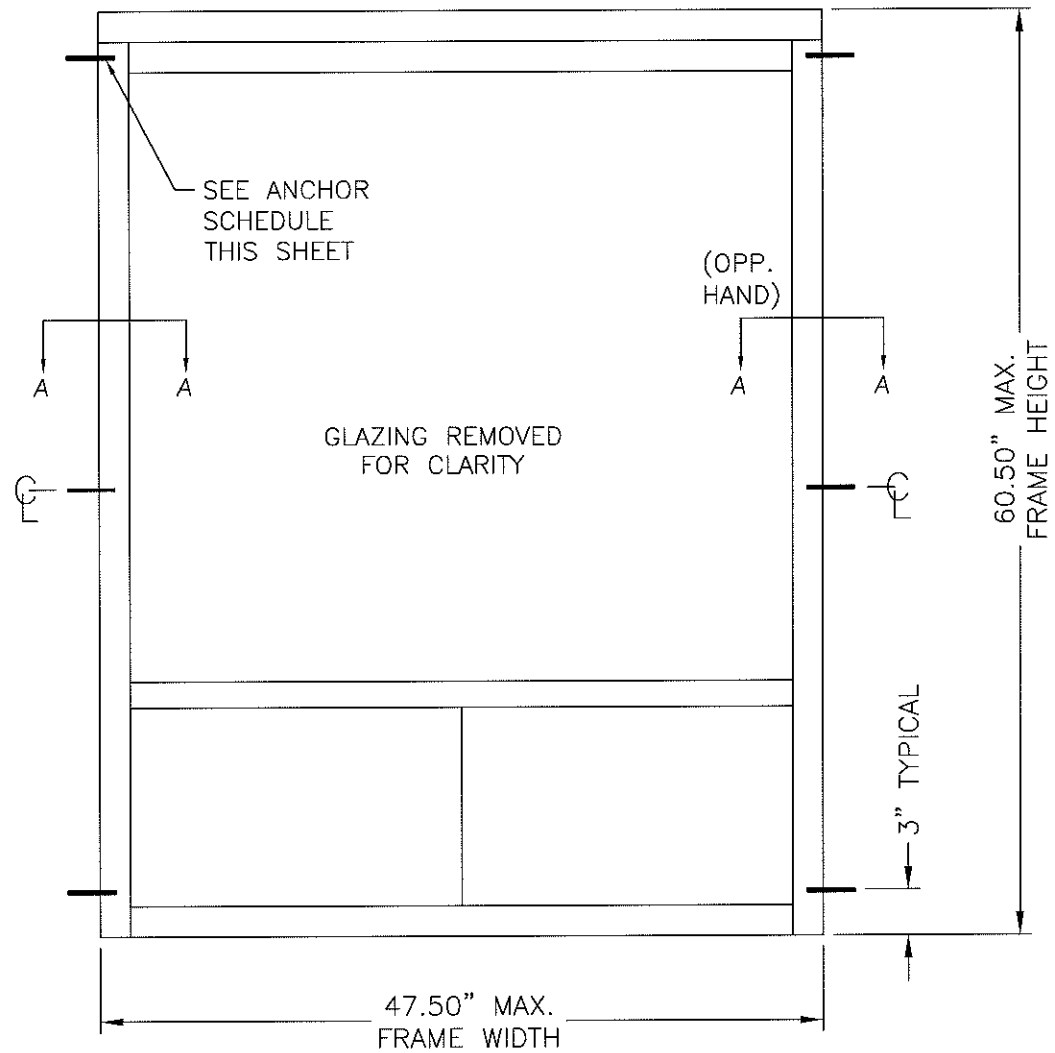
 Acceptance No. *16-0307.07*

 Expiration Date *Feb. 16, 2021*

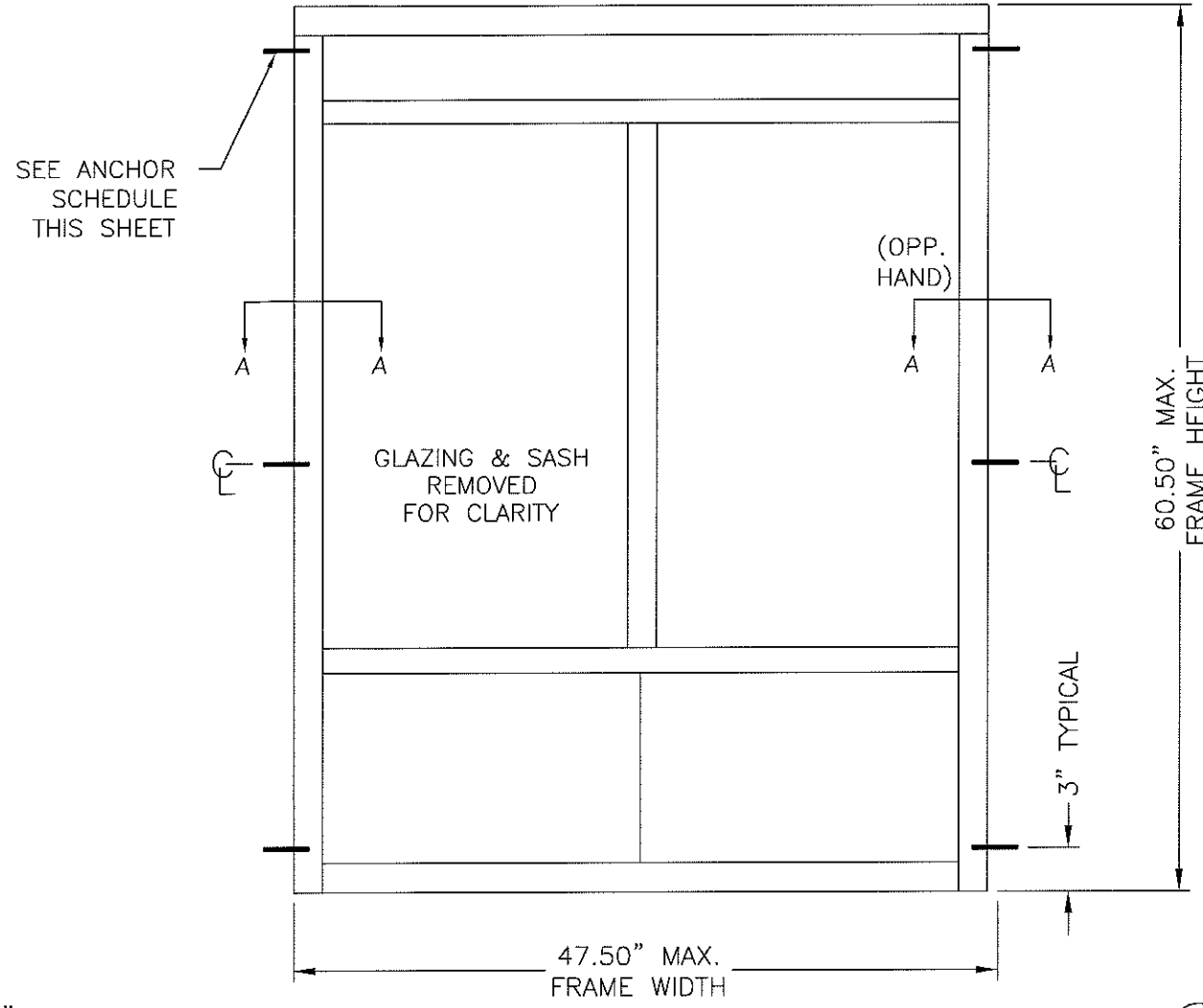
 By *Manuel Perez*

 Miami Dade Product Control

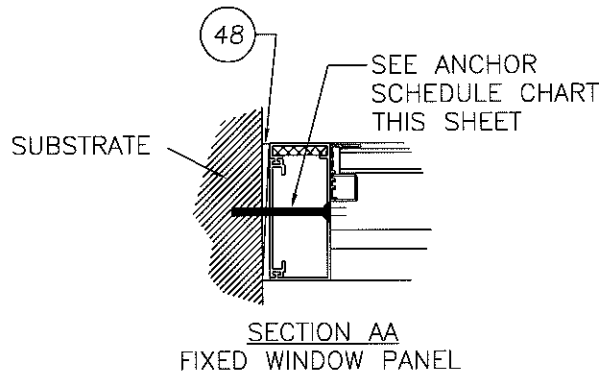
DATE:	06/16/05
SCALE:	N.T.S.
DWG. BY:	AEM
CHK. BY:	LFS
DRAWING NO.:	S-2553
SHEET	6 OF 10



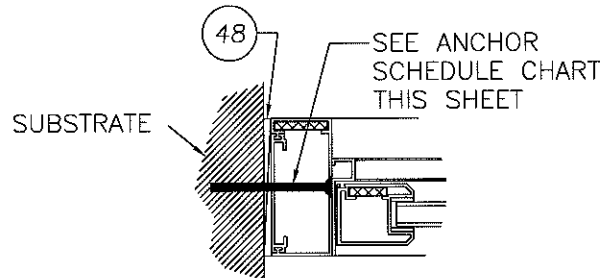
603 AND 604 SERIES WINDOW



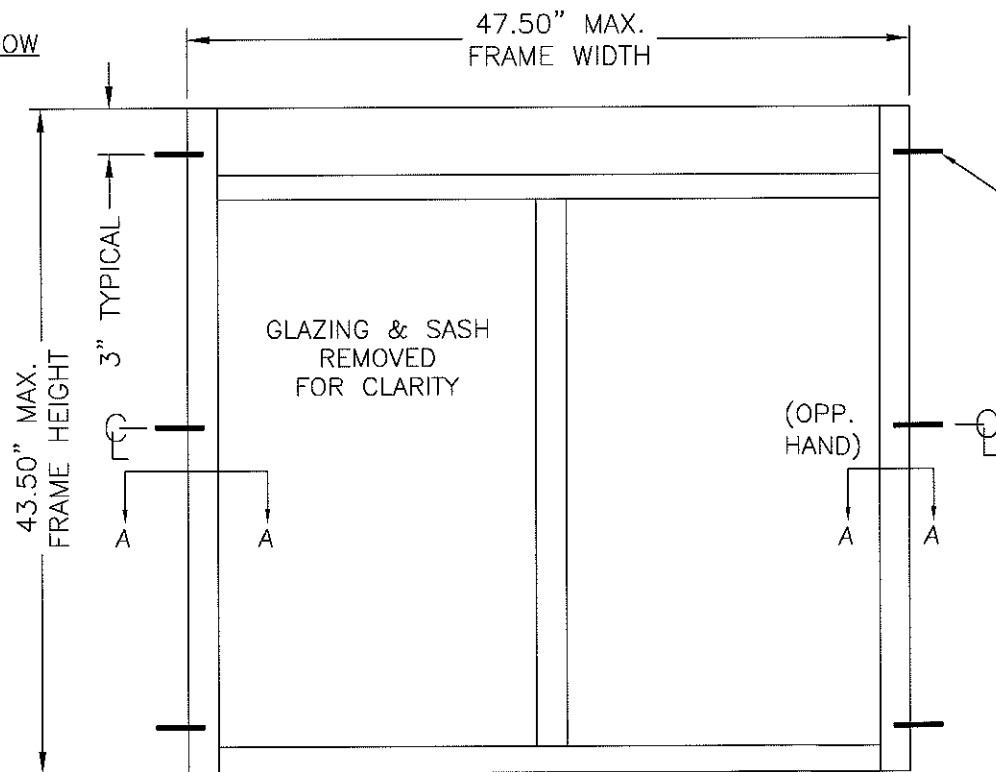
601 AND 602 SERIES WINDOW



SECTION AA
FIXED WINDOW PANEL

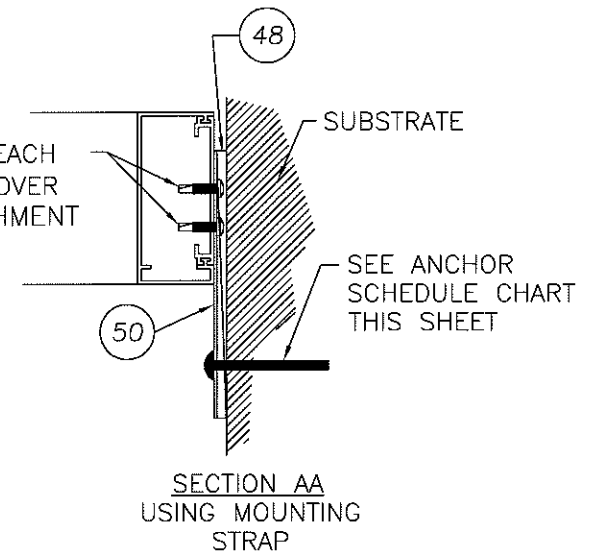


SECTION AA
ACTIVE WINDOW PANEL



600 SERIES WINDOW

(3) #12 x 1" M.S. AT EACH STRAP-TO-FRAME COVER ATTACHMENT
SEE ANCHOR SCHEDULE



SECTION AA
USING MOUNTING STRAP

ANCHOR SCHEDULE	
SUBSTRATE	ANCHOR
STEEL: 16 GA. MIN. (ASTM A36, GRADE 33)	1/4-20 HILTI KWIK-FLEX SELF-DRILLING SHEET METAL SCREW (MIN. PROTRUSION OF 3 THREADS BEYOND FULL ENGAGEMENT)

PRODUCT REVISED as complying with the Florida Building Code Acceptance No. 16-0307-07 Expiration Date Feb. 16, 2021
By *Michael J. J...* Miami Dade Product Control

FLORIDA PROFESSIONAL ENGINEERING EXAMINATIONS BOARD
F. SCHMIDT
LICENSE No. 43409
3-1-16

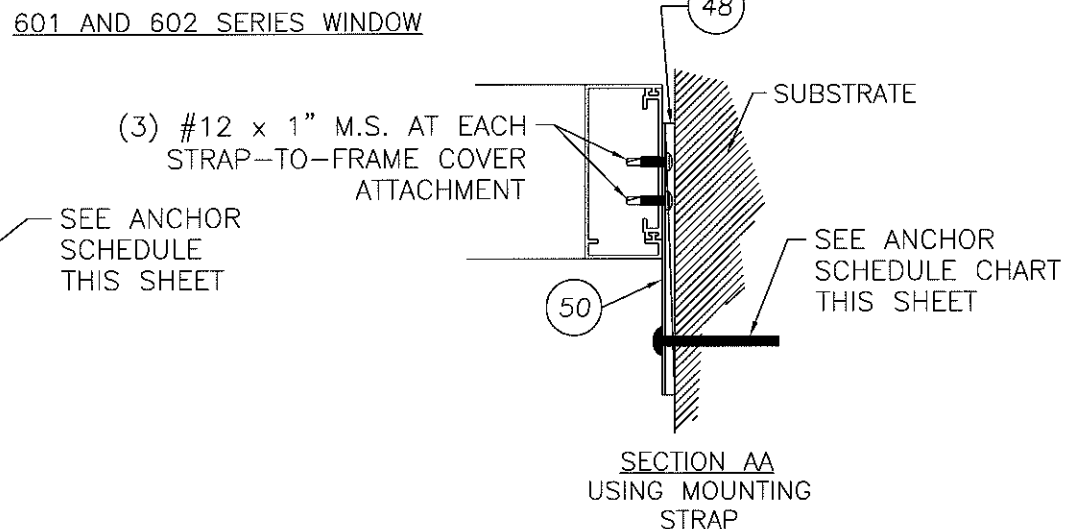
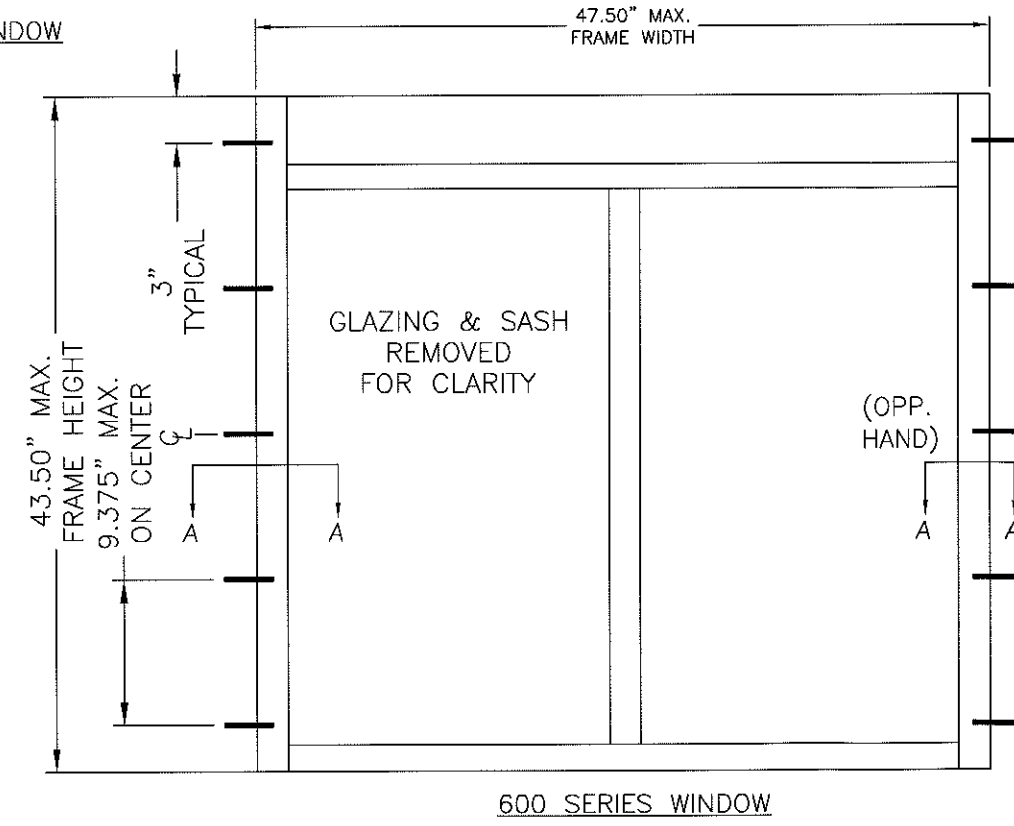
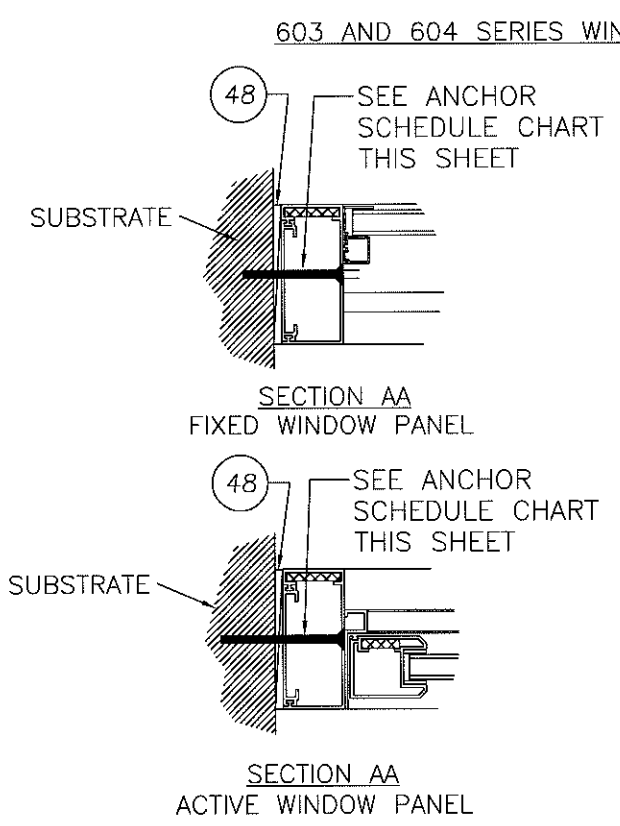
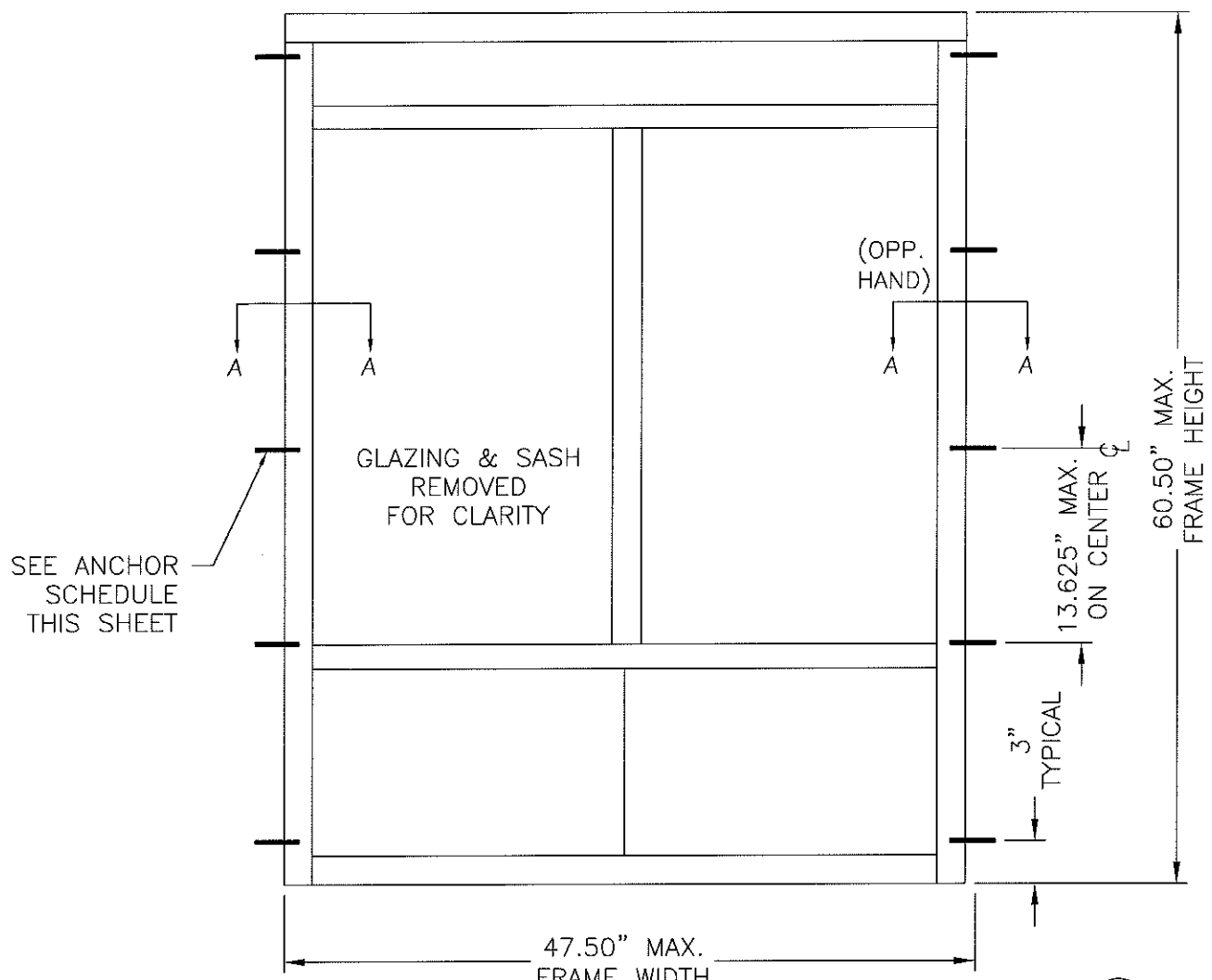
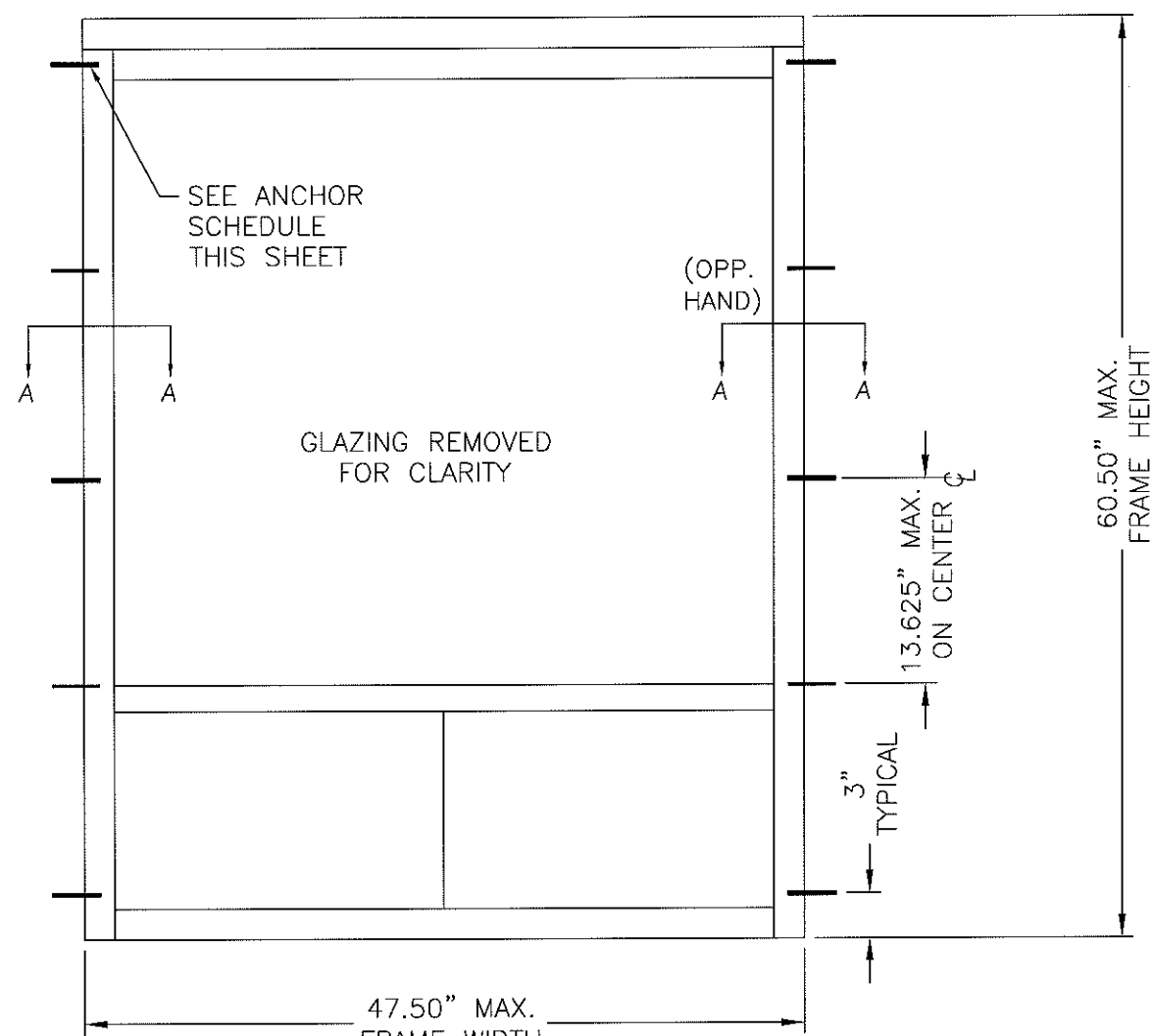
Documents Prepared By:
Lyndon F. Schmidt
P.E. No. 43409

RW BUILDING CONSULTANTS, INC.
P.O. Box 230, Valrico, FL 33595
Phone No.: 813.659.9197
FBPE C.A. No. 9813

PRODUCT: READY ACCESS DRIVE THROUGH WINDOW "NON-IMPACT"
PART OR ASSEMBLY: ANCHORING WITH SHEET METAL SCREWS

NO.	DATE	DESCRIPTION	LFS	BY
5	2/29/16	UPDATE TO 5TH ED. (2014) FBC		

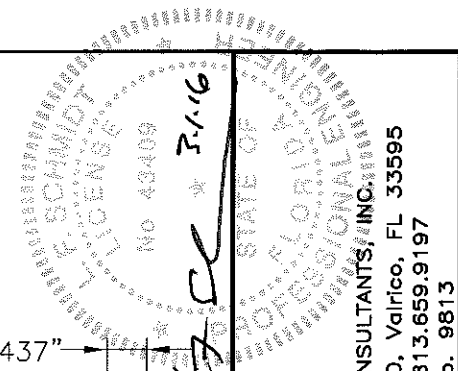
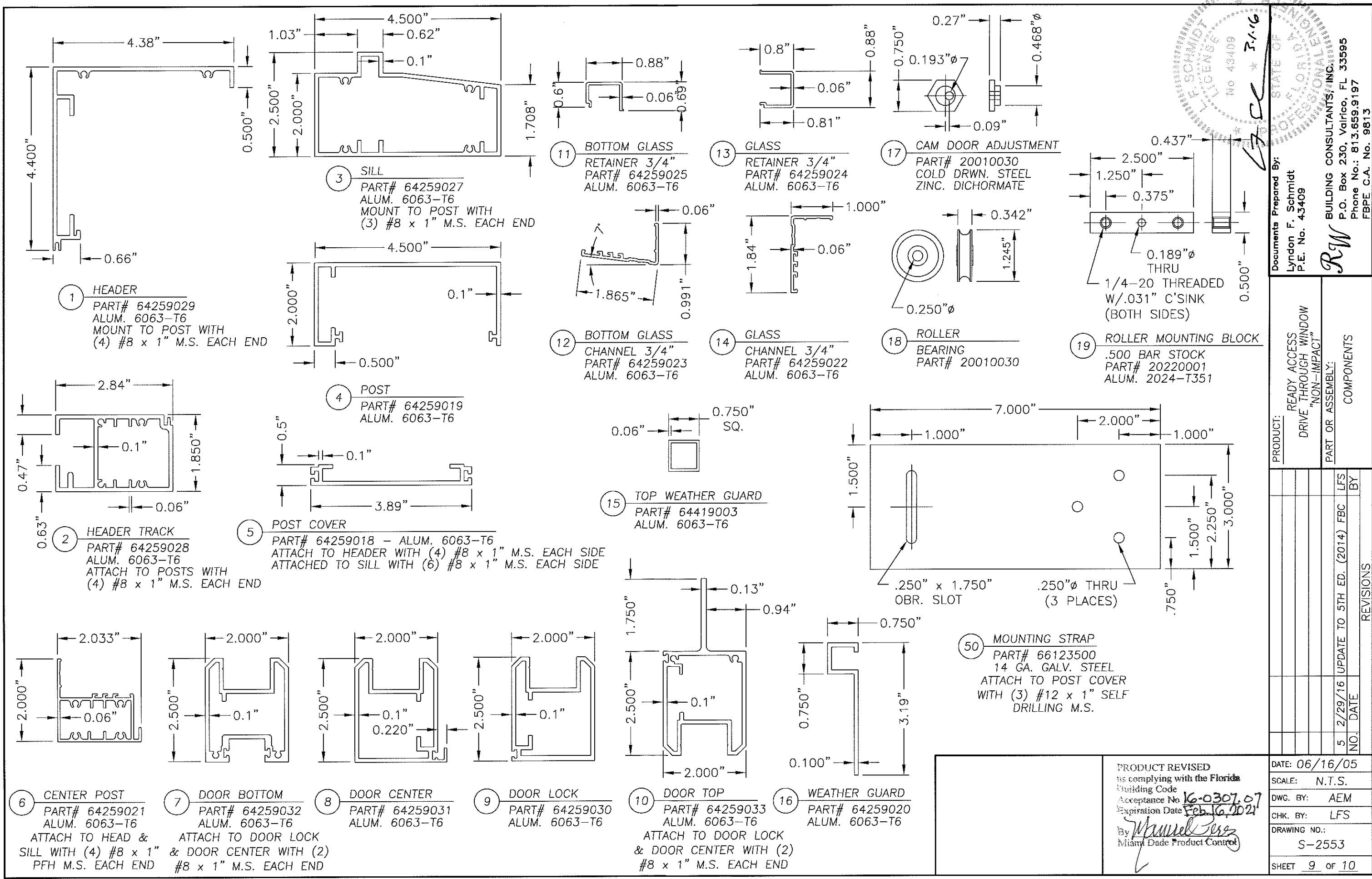
DATE: 06/16/05
SCALE: N.T.S.
DWG. BY: AEM
CHK. BY: LFS
DRAWING NO.: S-2553
SHEET 7 of 10



ANCHOR SCHEDULE	
SUBSTRATE	ANCHOR
WOOD (DOUBLE 2X BUCK): SG = 0.55 OR BETTER	#14 WOOD SCREW WITH 1.75" MIN. EMBEDMENT
CONCRETE: 3,000 PSI CONCRETE (ACI 301) HOLLOW BLOCK (ASTM C90)	1/4" DIA. ITW TAPCON CONCRETE SCREW WITH 1.25" MIN. EMBEDMENT, 2.5" MIN EDGE DISTANCE & 4" MIN. CL DISTANCE

PRODUCT REVISED as complying with the Florida Building Code Acceptance No. 16-030707 Expiration Date Feb 16, 2021
 BY *Manuel J. [Signature]* Miami Dade Product Control
 Documents Prepared By: Lyndon F. Schmidt P.E. No. 43409
 BUILDING CONSULTANTS, INC.
 P.O. Box 230, Valrico, FL 33595
 Phone No.: 813.659.9197
 FBPE C.A. No. 9813

PRODUCT:	READY ACCESS DRIVE THROUGH WINDOW "NON-IMPACT"		
PART OR ASSEMBLY:	ANCHORING WITH WOOD OR CONCRETE SCREWS		
NO.	DATE	UPDATE TO	BY
5	2/29/16	5TH ED. (2014)	FBC LFS
REVISIONS			
DATE: 06/16/05		SCALE: N.T.S.	
DWG. BY: AEM		CHK. BY: LFS	
DRAWING NO.: S-2553		SHEET 8 OF 10	



Documents Prepared By:
 Lyndon F. Schmidt
 P.E. No. 43409



BUILDING CONSULTANTS, INC.
 P.O. Box 230, Valrico, FL 33595
 Phone No.: 813.659.9197
 FBPE C.A. No. 9813

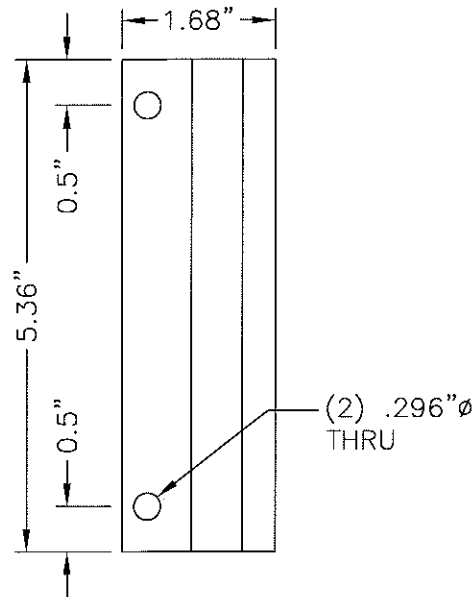
PRODUCT:	READY ACCESS DRIVE THROUGH WINDOW "NON-IMPACT"
PART OR ASSEMBLY:	COMPONENTS

NO.	DATE	DESCRIPTION	LFS	BY
5	2/29/16	UPDATE TO 5TH ED. (2014) FBC		

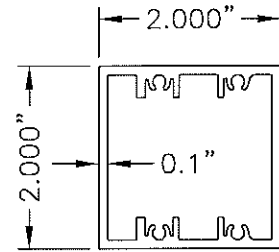
PRODUCT REVISED to comply with the Florida Building Code
 Acceptance No. **16-0307-07**
 Expiration Date **Feb. 16, 2021**
 By *Manuel Perez*
 Miami Dade Product Control

DATE:	06/16/05
SCALE:	N.T.S.
DWG. BY:	AEM
CHK. BY:	LFS
DRAWING NO.:	S-2553
SHEET	9 of 10

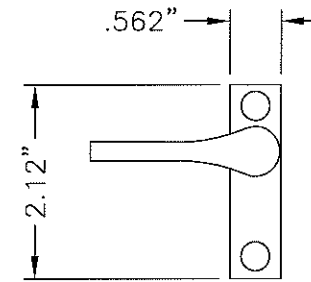
ITEM	DESCRIPTION	MATERIAL
1	HEADER PART# 64259029 ALUM. 6063-T6	ALUM.
2	HEADER TRACK PART# 64259028 ALUM. 6063-T6	ALUM.
3	SILL PART# 64259027 ALUM. 6063-T6	ALUM.
4	POST PART# 64259019 ALUM. 6063-T6	ALUM.
5	POST COVER PART# 64259018 ALUM. 6063-T6	ALUM.
6	CENTER POST PART# 64259021 ALUM. 6063-T6	ALUM.
7	DOOR BOTTOM PART# 64259032 ALUM. 6063-T6	ALUM.
8	DOOR CENTER PART# 64259031 ALUM. 6063-T6	ALUM.
9	DOOR LOCK PART# 64259030 ALUM. 6063-T6	ALUM.
10	DOOR TOP PART# 64259033 ALUM. 6063-T6	ALUM.
11	GLASS RETAINER (3/4") PART# 64259025 ALUM. 6063-T6	ALUM.
12	BOTTOM GLASS CHANNEL (3/4") PART# 64259023 ALUM. 6063-T6	ALUM.
13	GLASS RETAINER (3/4") PART# 64259024 ALUM. 6063-T6	ALUM.
14	GLASS CHANNEL (3/4") PART# 64259022 ALUM. 6063-T6	ALUM.
15	TOP WEATHER GUARD PART# 64419003 ALUM. 6063-T6	ALUM.
16	WEATHER GUARD PART# 64259020 ALUM. 6063-T6	ALUM.
17	CAM DOOR ADJUSTMENT PART# 00651433 STEEL ZINC.	STEEL
18	ROLLER TRACK BEARING PART# 20010030 (SAE S2100)	STEEL
19	ROLLER MOUNTING BLOCK PART# 20220001 ALUM. 2024-T351	TPS
20	CROSS FRAME PART# 64259025 ALUM. 6063-T6	ALUM.
21	SILICONE GLAZING SEALANT DOW 999-A PART# 80050020	SILICONE
22	SELF-LATCHING THUMB TURN PART# 20090081	STEEL
23	PULL HANDLE PART# 65103300	STEEL
24	THUMB TURN DEADBOLT PART# 20090086	STEEL
25	GLAZING FOAM TAPE PART# 20200166	BUTYL
26	RUBBER SEAL "D" SHAPED PART# 40040004	EPDM
27	INSIDE FACE PANEL PART# 66121200 (18 ga 304 Stainless)	ST. ST'L
28	OUTSIDE FRONT FACE PANEL PART# 56121100 (18 ga 304 Stainless)	ST. ST'L
29	OUTSIDE SIDE FACE PANEL PART# 66120900 (18 ga 304 Stainless)	ST. ST'L
30	ARMOR PANEL (LUMAGARD 0.420" THK AG300)	COMPOSITE
31	ARMOR STRIP (LUMAGARD 0.420" THK AG300)	COMPOSITE
32	GLAZING TAPE 1/2" X .063" PART# 202001155	BUTYL
33	TOP CAP PART# 6122500 (18 ga 304 Stainless)	ST. ST'L
34	INSULATION PANEL (CEILING TILE, 5/8" THK)	CELLULOUS
35	COUNTER PART# 96120500	ST. ST'L
36	NOT USED	-
37	4X4 GANG BOX	-
38	SPEAKER POWER SUPPLY	-
39	INSIDE MASTER SPEAKER	-
40	OUTSIDE SPEAKER W/HOOKUP WIRE PRE INSTALLED PART# 20110021	-
41	PASS- THRU DRAWER PART# 96130000	-
42	3/4" INSULATED GLASS 1/4" TEMP. - AIR - 1/4" TEMP.	GLASS
43	ANGLED SHELF BRACKET (18 ga 304 Stainless)	ST. ST'L
44	ROLLER MTG. BOLT 1/4"-20 X 3/4" HEX HEAD MS (GRADE 5)	STEEL
45	ROLLER MTG. NUT 1/4"-20 NYLON LOCKING NUT	NYLON
46	INSIDE FACE PANEL PART# 66122800 (18 ga 304 Stainless)	ST. ST'L
47	ARMOR PANEL PART# 66125400 (LUMGUARD 0.420" THK AG300)	COMPOSITE
48	SHIM 1/4" THK. MAX.	WOOD
49	INTERIOR INSIDE FACE PANEL PART# 66120900 (18 ga 304 Stainless)	ST. ST'L
50	MOUNTING STRAP (14 ga GALV STEEL)	STEEL



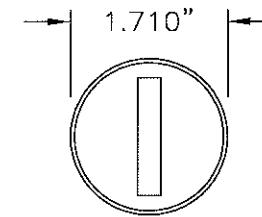
23 PULL HANDLE
PART# 65103300



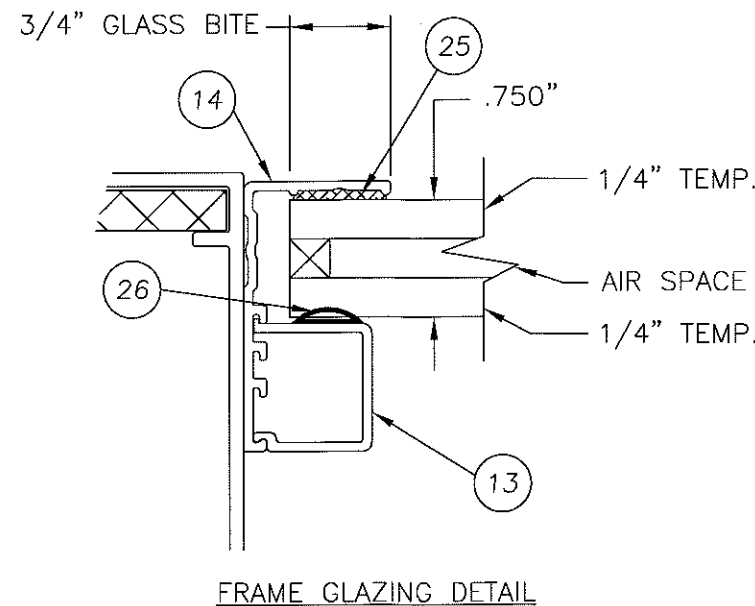
20 CROSS FRAME
PART# 64259026
ALUM. 6063-T6
ATTACH TO POSTS WITH
WITH (4) #8 x 1" M.S.
EACH END



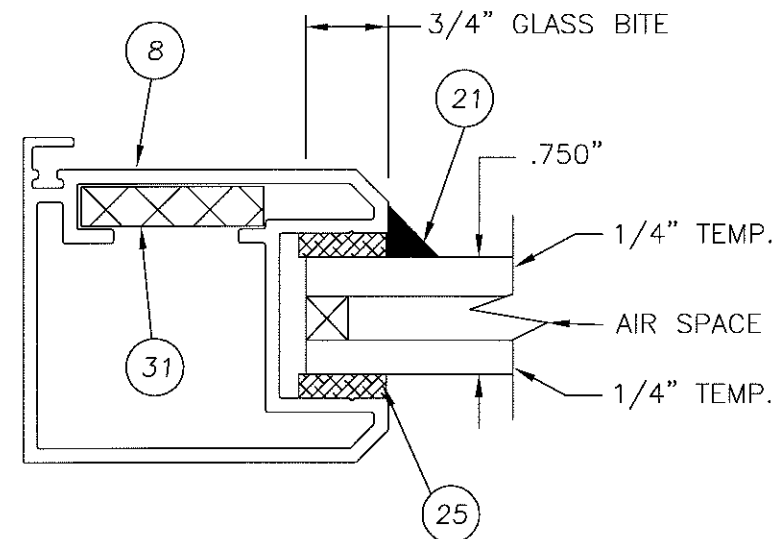
22 SELF-LATCHING
THUMB TURN
ADAMS-RITE
PART# 20090081



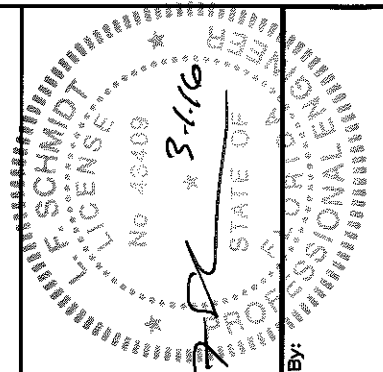
24 THUMB TURN
DEADBOLT
PART# 20090086



FRAME GLAZING DETAIL



DOOR GLAZING DETAIL



PRODUCT REVISED
as complying with the Florida
Building Code
Acceptance No. 16-0307.07
Expiration Date Feb. 16, 2021
By *Lyndon F. Schmidt*
Miami Dade Product Control

Documents Prepared By:
Lyndon F. Schmidt
P.E. No. 43409
RW BUILDING CONSULTANTS, INC.
P.O. Box 230, Vairico, FL 33595
Phone No.: 813.659.9197
FBPE C.A. No. 9813

PRODUCT: READY ACCESS
DRIVE THROUGH WINDOW
"NON-IMPACT"
PART OR ASSEMBLY:
BILL OF MATERIALS, COMPONENTS
& GLAZING DETAILS

NO.	DATE	DESCRIPTION	LFS	BY
5	2/29/16	UPDATE TO 5TH ED. (2014) FBC		

DATE: 06/16/05
SCALE: N.T.S.
DWG. BY: AEM
CHK. BY: LFS
DRAWING NO.: S-2553
SHEET 10 of 10