



DEPARTMENT OF REGULATORY AND ECONOMIC RESOURCES (RER)  
BOARD AND CODE ADMINISTRATION DIVISION

MIAMI-DADE COUNTY  
PRODUCT CONTROL SECTION

11805 SW 26 Street, Room 208  
T (786) 315-2590 F (786) 315-2599

**NOTICE OF ACCEPTANCE (NOA)**

[www.miamidade.gov/economy](http://www.miamidade.gov/economy)

**Ready Access**  
**1815 Arthur Drive**  
**West Chicago, IL 60185**

**SCOPE:**

This NOA is being issued under the applicable rules and regulations governing the use of construction materials. The documentation submitted has been reviewed and accepted by Miami-Dade County RER - Product Control Section to be used in Miami Dade County and other areas where allowed by the Authority Having Jurisdiction (AHJ).

This NOA shall not be valid after the expiration date stated below. The Miami-Dade County Product Control Section (In Miami-Dade County) and/or the AHJ (in areas other than Miami-Dade County) reserve the right to have this product or material tested for quality assurance purposes. If this product or material fails to perform in the accepted manner, the manufacturer will incur the expense of such testing and the AHJ may immediately revoke, modify, or suspend the use of such product or material within their jurisdiction. RER reserves the right to revoke this acceptance, if it is determined by Miami-Dade County Product Control Section that this product or material fails to meet the requirements of the applicable building code.

This product is approved as described herein, and has been designed to comply with the Florida Building Code, including the High Velocity Hurricane Zone.-

**DESCRIPTION: Series "Ready Access" Aluminum Drive-Through Window – L.M.I.**

**APPROVAL DOCUMENT:** Drawing No. S-2560, titled "Ready Access Drive Through Window 'Impact'", sheets 1 through 9 of 9, dated 06/16/05, with revision #7 dated 02/29/16, prepared by RW Building Consultants, Inc., signed and sealed by Lyndon F. Schmidt, P.E., bearing the Miami-Dade County Product Control Revision stamp with the Notice of Acceptance number and expiration date by the Miami-Dade County Product Control Section.

**MISSILE IMPACT RATING: Large and Small Missile Impact Resistant**

**LABELING:** Each unit shall bear a permanent label with the manufacturer's name or logo, city, state, model/series, and following statement: "Miami-Dade County Product Control Approved", unless otherwise noted herein.

**RENEWAL** of this NOA shall be considered after a renewal application has been filed and there has been no change in the applicable building code negatively affecting the performance of this product.

**TERMINATION** of this NOA will occur after the expiration date or if there has been a revision or change in the materials, use, and/or manufacture of the product or process. Misuse of this NOA as an endorsement of any product, for sales, advertising or any other purposes shall automatically terminate this NOA. Failure to comply with any section of this NOA shall be cause for termination and removal of NOA.

**ADVERTISEMENT:** The NOA number preceded by the words Miami-Dade County, Florida, and followed by the expiration date may be displayed in advertising literature. If any portion of the NOA is displayed, then it shall be done in its entirety.

**INSPECTION:** A copy of this entire NOA shall be provided to the user by the manufacturer or its distributors and shall be available for inspection at the job site at the request of the Building Official.

This NOA **revises and renews NOA# 10-0224.01** and consists of this page 1 and evidence pages E-1 and E-2, as well as approval document mentioned above.

The submitted documentation was reviewed by **Manuel Perez, P.E.**



*Handwritten signature and date: MP 7/6/16*

NOA No. 16-0307.06  
Expiration Date: February 16, 2021  
Approval Date: June 09, 2016  
Page 1

Ready Access

NOTICE OF ACCEPTANCE: EVIDENCE SUBMITTED

**A. DRAWINGS**

1. Manufacturer's die drawings and sections.  
*(Submitted under NOA # 05-0719.03 and # 07-0503.09)*
2. Drawing No. **S-2560**, titled "Ready Access Drive Through Window 'Impact'", dated 06/16/05, with revision #7 dated 02/29/16, sheets 1 through 9 of 9, prepared by RW Building Consultants, Inc., signed and sealed by Lyndon F. Schmidt, P.E.

**B. TESTS**

1. Test reports on: 1) Air Infiltration Test, per FBC, TAS 202-94  
2) Uniform Static Air Pressure Test, Loading per FBC TAS 202-94  
3) Water Resistance Test, per FBC, TAS 202-94  
4) Large Missile Impact Test per FBC, TAS 201-94  
5) Cyclic Wind Pressure Loading per FBC, TAS 203-94  
6) Forced Entry Test, per ASTM F588-04, TAS 202-94  
along with marked-up drawings and installation diagram of a series 600 drive-through Windows - "Impact", prepared by Testing Evaluation Laboratories, Inc., Test Report No. **TEL-06-1120.01**, dated 11/20/06, revised on 06/14/07, signed and sealed by Wendell W. Haney, P.E.  
*(Submitted under NOA # 07-0503.09)*
2. Test reports on: 1) Uniform Static Air Pressure Test, Loading per PA 202-94  
2) Large Missile Impact Test per SFBC, PA 201-94,  
3) Cyclic Wind Pressure Loading per SFBC, PA 203-94  
along with marked-up drawings and installation diagram of aluminum pass through window, prepared by American Test Lab, Inc. Test Report No. **ATLNC-1109.01-04R**, dated 11/09-12/04, and addendum letter dated 08/29/05, both signed and sealed by David Johnson, P.E.  
*(Submitted under NOA # 05-0719.03)*

**C. CALCULATIONS**

1. Anchor verification calculations and structural analysis, complying with **FBC-5<sup>th</sup> Edition (2014)**, dated 02/29/16, prepared by RW Building Consultants, Inc., signed and sealed by Lyndon F. Schmidt, P.E.
2. Glazing complies with **ASTM E1300-04**

**D. QUALITY ASSURANCE**

1. Miami-Dade Department of Regulatory and Economic Resources (RER).

  
Manuel Perez, P.E.  
Product Control Examiner

NOA No. 16-0307.06

Expiration Date: February 16, 2021

Approval Date: June 09, 2016

Ready Access

NOTICE OF ACCEPTANCE: EVIDENCE SUBMITTED

**E MATERIAL CERTIFICATIONS**

1. Notice of Acceptance No. **14-0423.17** issued to **Eastman Chemical Company (MA)** for their "**Saflex Clear and Color Glass Interlayers**" dated 06/19/14, expiring on 05/21/16.

**F. STATEMENTS**

1. Statement letter of conformance, complying with **FBC-5<sup>th</sup> Edition (2014)**, and of no financial interest, dated February 29, 2016, issued by RW Building Consultants, Inc., signed and sealed by Lyndon F. Schmidt, P.E.

**G. OTHER**

1. Notice of Acceptance No. **10-0224.01**, issued to Ready Access for their Series Ready Access Aluminum Drive Through Window – L.M.I., approved on 05/05/10 and expiring on 02/16/16.



Manuel Perez, P.E.  
Product Control Examiner  
NOA No. 16-0307.06

Expiration Date: February 16, 2021  
Approval Date: June 09, 2016

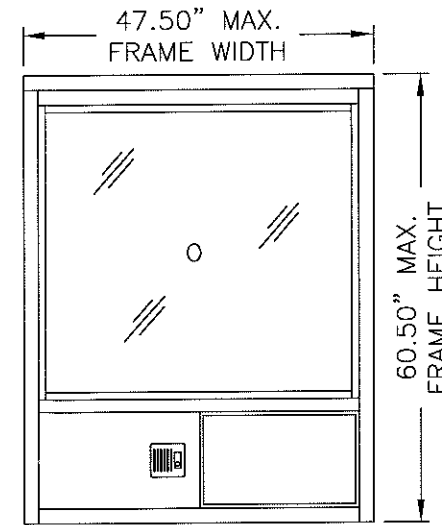


1815 Arthur Drive • West Chicago, Illinois 60185 • 800-621-5045 • 630-876-7766 • Fax 630-876-7767

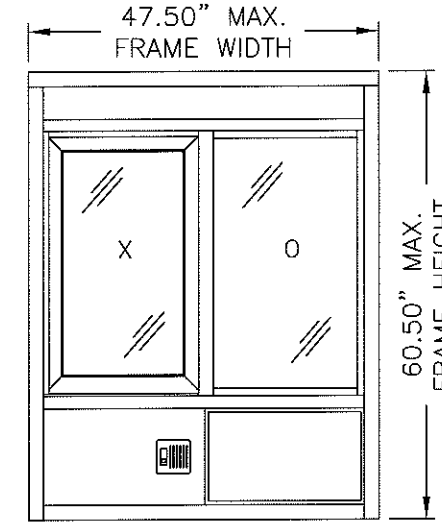
# READY ACCESS DRIVE THROUGH WINDOW "IMPACT"

### GENERAL NOTES

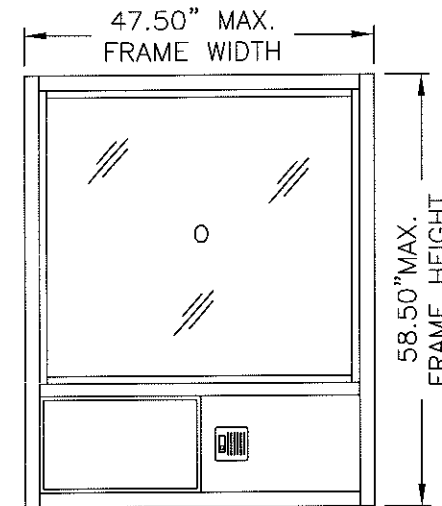
1. THIS PRODUCT HAS BEEN EVALUATED AND IS IN COMPLIANCE WITH THE 5TH EDITION (2014) FLORIDA BUILDING CODE (FBC) INCLUDING THE "HIGH VELOCITY HURRICANE" ZONE (HVHZ).
2. PRODUCT ANCHORS SHALL BE AS LISTED AND SPACED AS SHOWN ON DETAILS. ANCHOR EMBEDMENT TO BASE MATERIAL SHALL BE BEYOND WALL DRESSING OR STUCCO.
3. WHEN USED IN THE "HVHZ", THIS PRODUCT COMPLIES WITH SECTION 1626 OF THE FBC AND DOES NOT REQUIRE AN IMPACT RESISTANT COVERING.
4. THIS PRODUCT DOES NOT MEET THE REQUIREMENTS FOR ENHANCED PROTECTION OF ESSENTIAL FACILITIES AS DEFINED IN ASTM E1996.
5. FOR 2X STUD FRAMING CONSTRUCTION, THE ANCHORING OF THESE UNITS SHALL BE THE SAME AS THAT SHOWN FOR 2X BUCK MASONRY CONSTRUCTION.
6. CONDITIONS NOT COVERED BY THIS DRAWING ARE SUBJECT TO FURTHER ENGINEERING ANALYSIS.
7. WOOD BUCKS BY OTHERS, MUST BE ANCHORED PROPERLY TO TRANSFER LOADS TO STRUCTURE AND TO BE REVIEWED BY BUILDING OFFICIAL.
8. FOR DESIGN PRESSURE RATING SEE CHART THIS SHEET.
9. THIS PRODUCT MEETS THE WATER REQUIREMENTS FOR HIGH VELOCITY HURRICANE ZONES.



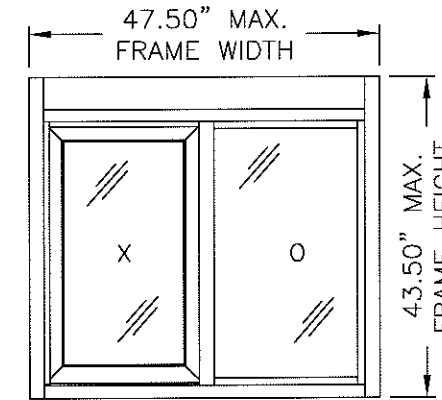
604 SERIES WINDOW



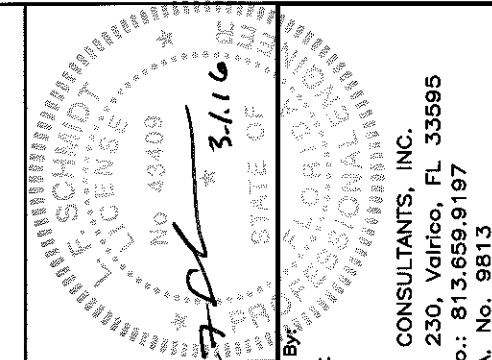
602 SERIES WINDOW



603 SERIES WINDOW



600 SERIES WINDOW



PRODUCT REVISED as complying with the Florida Building Code Acceptance No. 16-0307-06 Expiration Date Feb. 16, 2021  
By: [Signature] Miami Dade Product Control

Documents Prepared By:  
Lyndon F. Schmidt  
P.E. No. 43409

**RW** BUILDING CONSULTANTS, INC.  
P.O. Box 230, Vairico, FL 33595  
Phone No.: 813.659.9197  
FBPE C.A. No. 9813

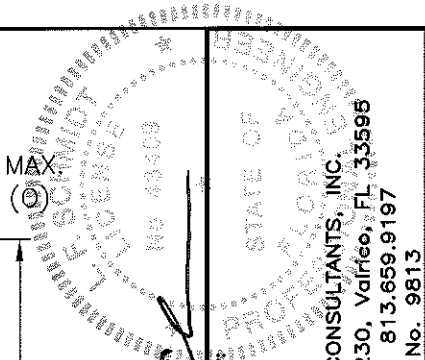
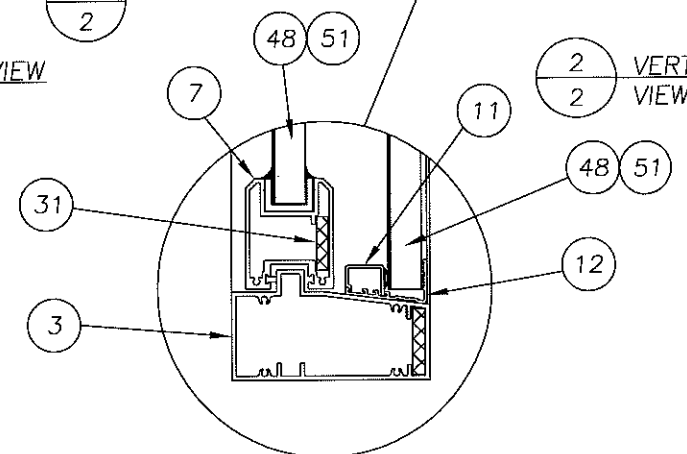
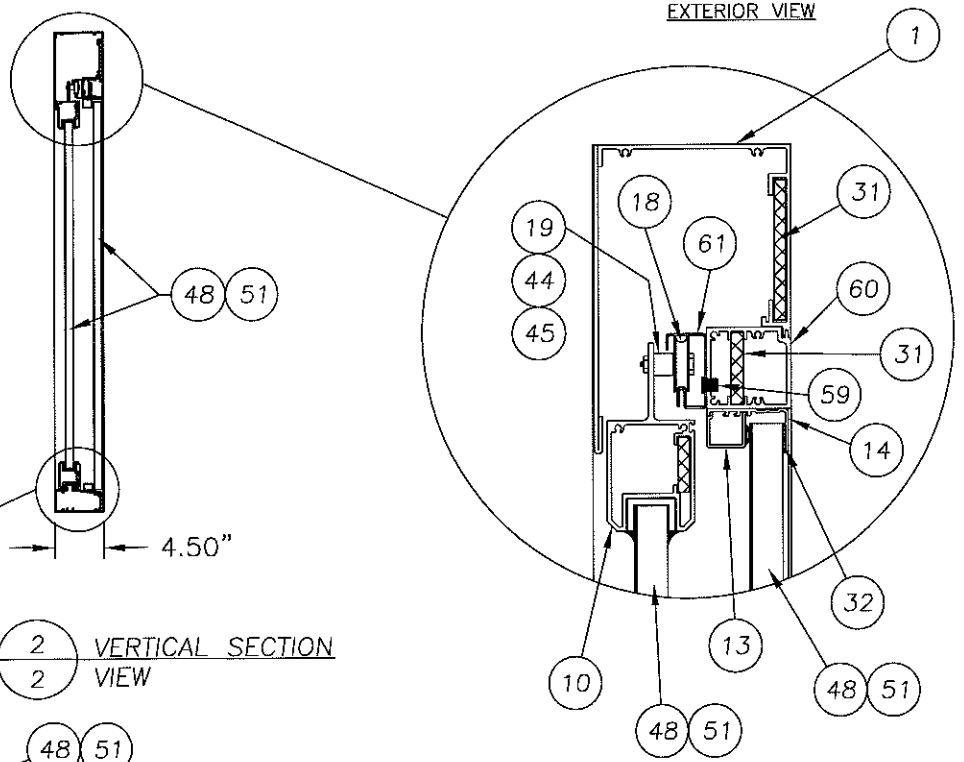
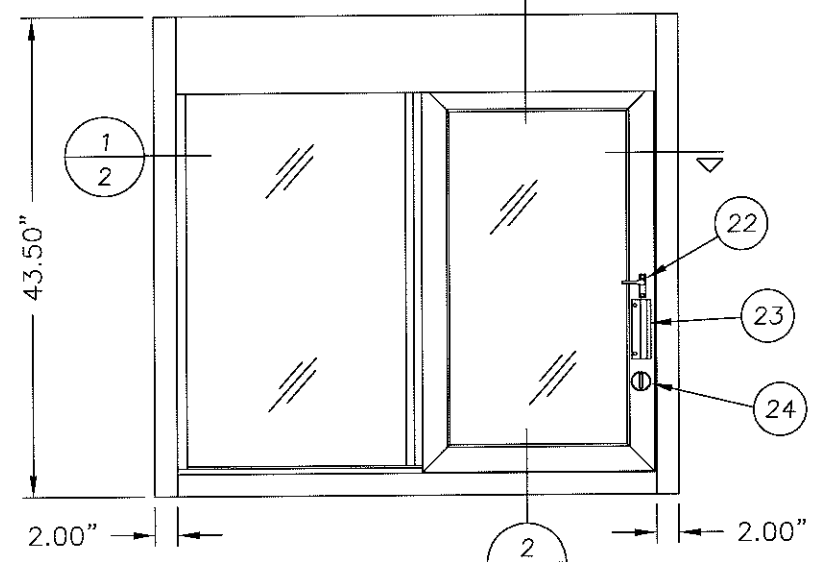
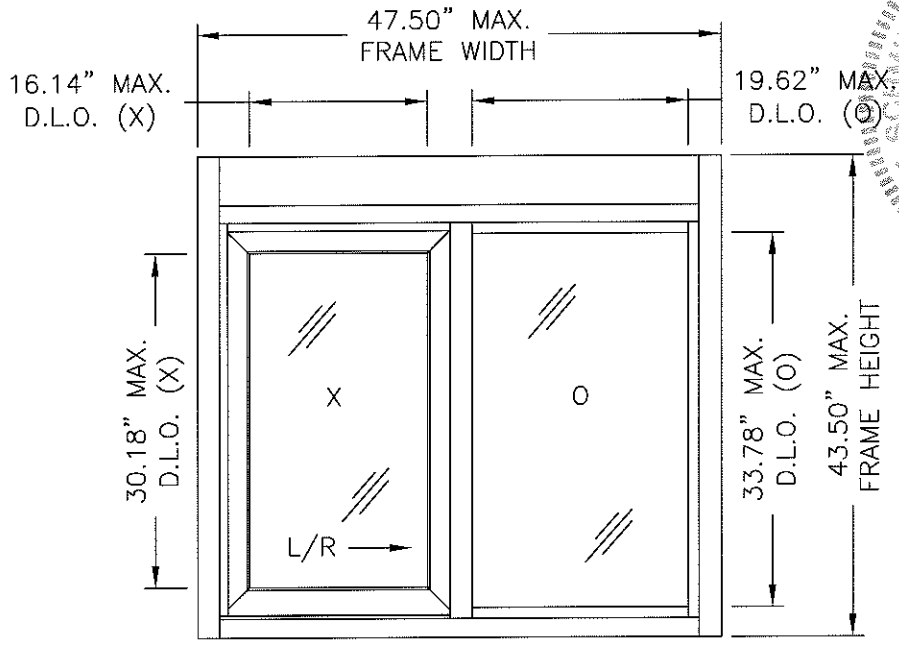
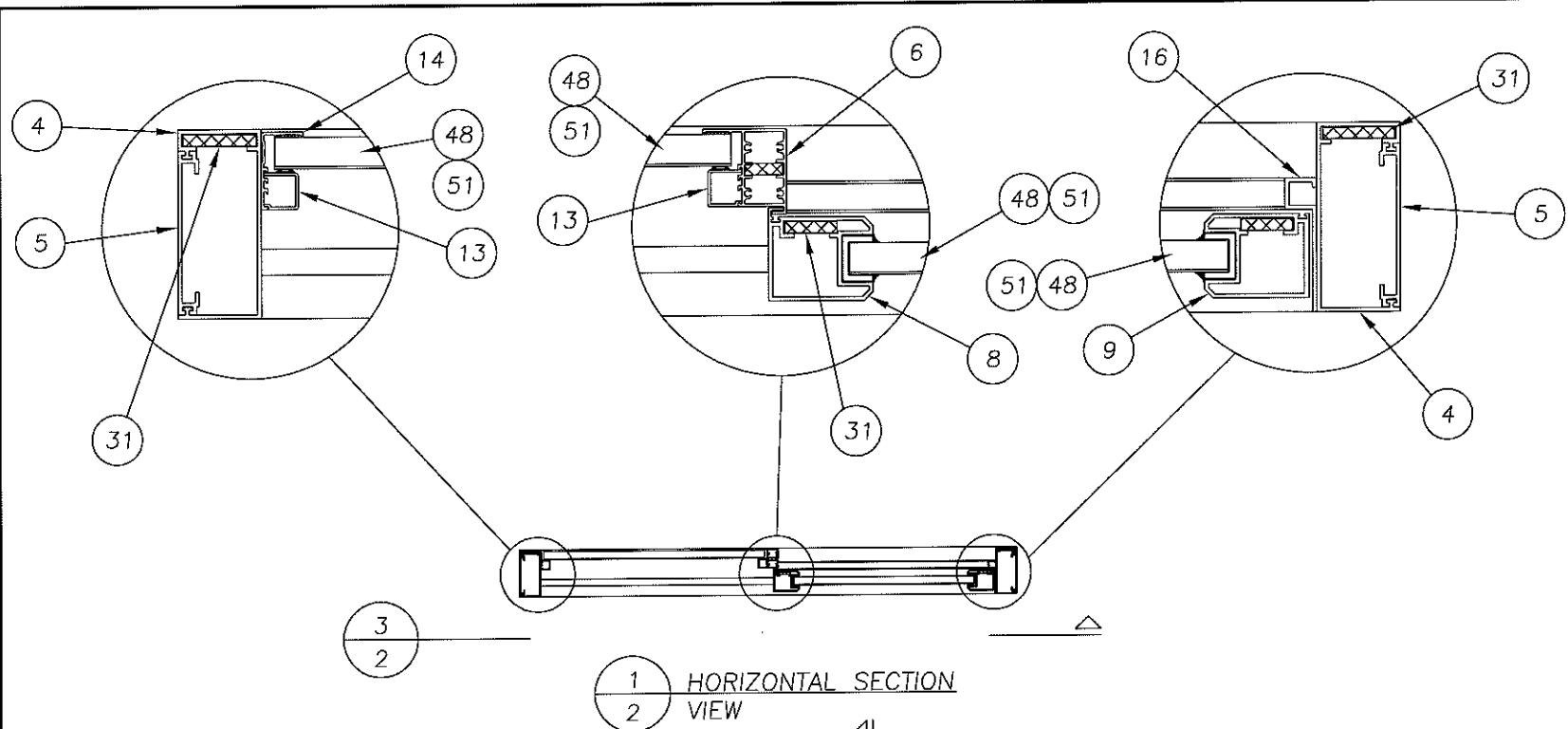
PRODUCT: READY ACCESS DRIVE THROUGH WINDOW "IMPACT"  
PART OR ASSEMBLY: TYPICAL ELEVATIONS, DESIGN PRESSURE & GENERAL NOTES

TABLE OF CONTENTS	
SHEET #	DESCRIPTION
1	TYPICAL ELEVATIONS, DESIGN PRESSURE & GENERAL NOTES
2	600 SERIES WINDOW SECTIONS & DETAILS
3	602 SERIES WINDOW SECTIONS & DETAILS
4	603 SERIES WINDOW SECTIONS & DETAILS
5	604 SERIES WINDOW SECTIONS & DETAILS
6	ANCHORING WITH SHEET METAL SCREWS
7	ANCHORING WITH WOOD OR CONCRETE SCREWS
8	COMPONENTS
9	BILL OF MATERIALS, COMPONENTS & GLAZING DETAILS

MODEL	OVERALL FRAME DIMENSION	OVERALL DAYLIGHT DIMENSION	GLASS TYPE	DESIGN PRESSURE RATINGS (PSF)	
				POSITIVE	NEGATIVE
600	47.50" X 43.50"	(O) 19.62" X 33.78" (X) 16.14" X 30.18"	SEE GLAZING DETAILS SHEET #9	+75.0	-75.0
602	47.50" X 60.50"	(O) 19.62" X 33.78" (X) 16.14" X 30.18"		+55.0	-55.0
603	47.50" X 58.50"	(O) 41.49" X 37.78"		+50.0	-50.0
604	47.50" X 60.50"	(O) 41.49" X 37.78"		+50.0	-50.0

REVISIONS	
NO.	DATE
7	2/29/16

DATE: 06/16/05  
SCALE: N.T.S.  
DWG. BY: EW  
CHK. BY: LFS  
DRAWING NO.: S-2560  
SHEET 1 OF 9



3-1-16  
LFS

Documents Prepared By:  
Lyndon F. Schmidt  
P.E. No. 43409

**RW** BUILDING CONSULTANTS, INC.  
P.O. Box 230, Valrico, FL 33595  
Phone No.: 813.659.9197  
FBPE C.A. No. 9813

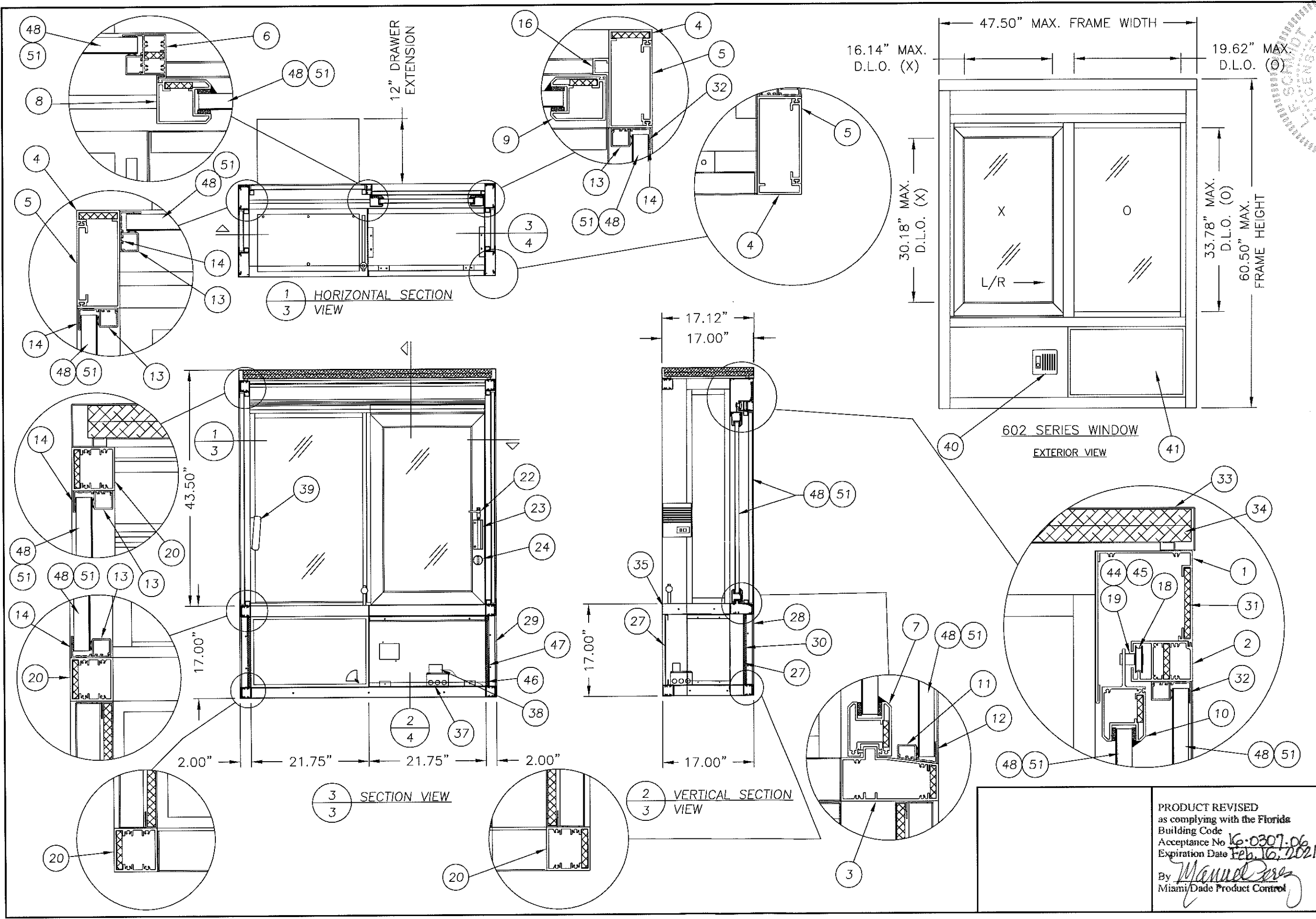
PRODUCT: READY ACCESS DRIVE THROUGH WINDOW "IMPACT"

PART OR ASSEMBLY: 600 SERIES WINDOW SECTIONS & DETAILS

NO.	DATE	REVISIONS	LFS	BY
7	2/29/16	UPDATE TO 5TH ED. (2014) FBC		

DATE: 06/16/05  
SCALE: N.T.S.  
DWG. BY: AEM  
CHK. BY: LFS  
DRAWING NO.: S-2560  
SHEET 2 OF 9

PRODUCT REVISED as complying with the Florida Building Code  
Acceptance No. 16-0307.06  
Expiration Date Feb. 16, 2021  
By *Manuel Perez*  
Miami Dade Product Control



Documents Prepared By:  
 Lyndon F. Schmidt  
 P.E. No. 43409

**RW** BUILDING CONSULTANTS, INC.  
 P.O. Box 230, Vairico, FL 33595  
 Phone No.: 813.659.9197  
 FBPE C.A. No. 9813

NO. 0307-06  
 2/29/16  
 DATE

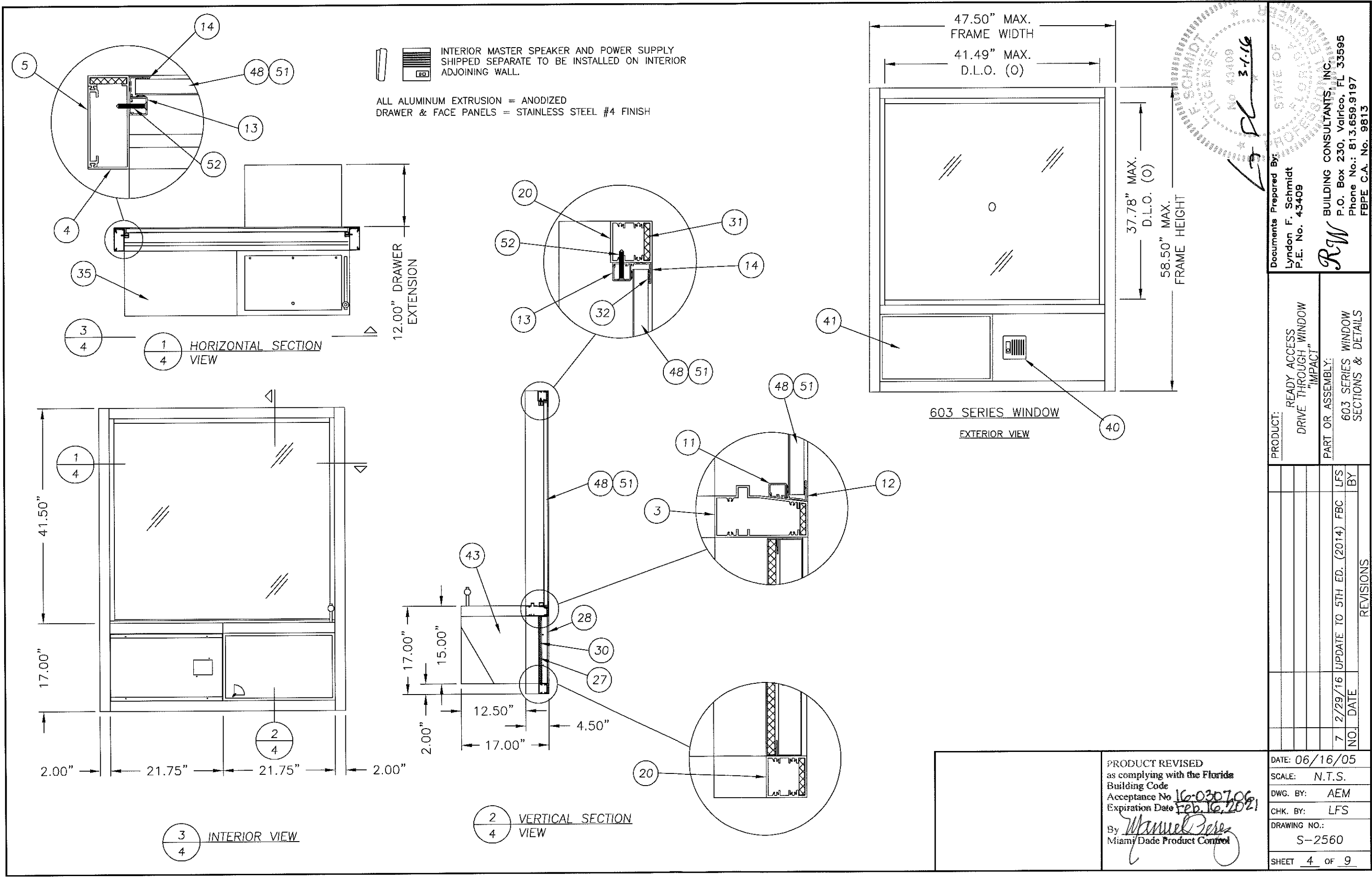
PRODUCT: READY ACCESS DRIVE THROUGH WINDOW "IMPACT"

PART OR ASSEMBLY: 602 SERIES WINDOW SECTIONS & DETAILS

NO.	DATE	BY	LFS
7	2/29/16	UPDATE TO 5TH ED. (2014) FBC	LFS

DATE: 06/16/05  
 SCALE: N.T.S.  
 DWG. BY: AEM  
 CHK. BY: LFS  
 DRAWING NO.: S-2560  
 SHEET 3 OF 9

PRODUCT REVISED as complying with the Florida Building Code  
 Acceptance No. 16-0307-06  
 Expiration Date Feb. 16, 2021  
 By: *Manuel Perez*  
 Miami/Dade Product Control



STATE OF FLORIDA  
 PROFESSIONAL ENGINEER  
 LYNDON F. SCHMIDT  
 P.E. No. 43409  
 3-1-16

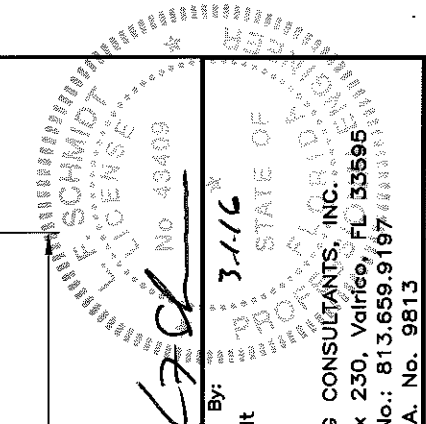
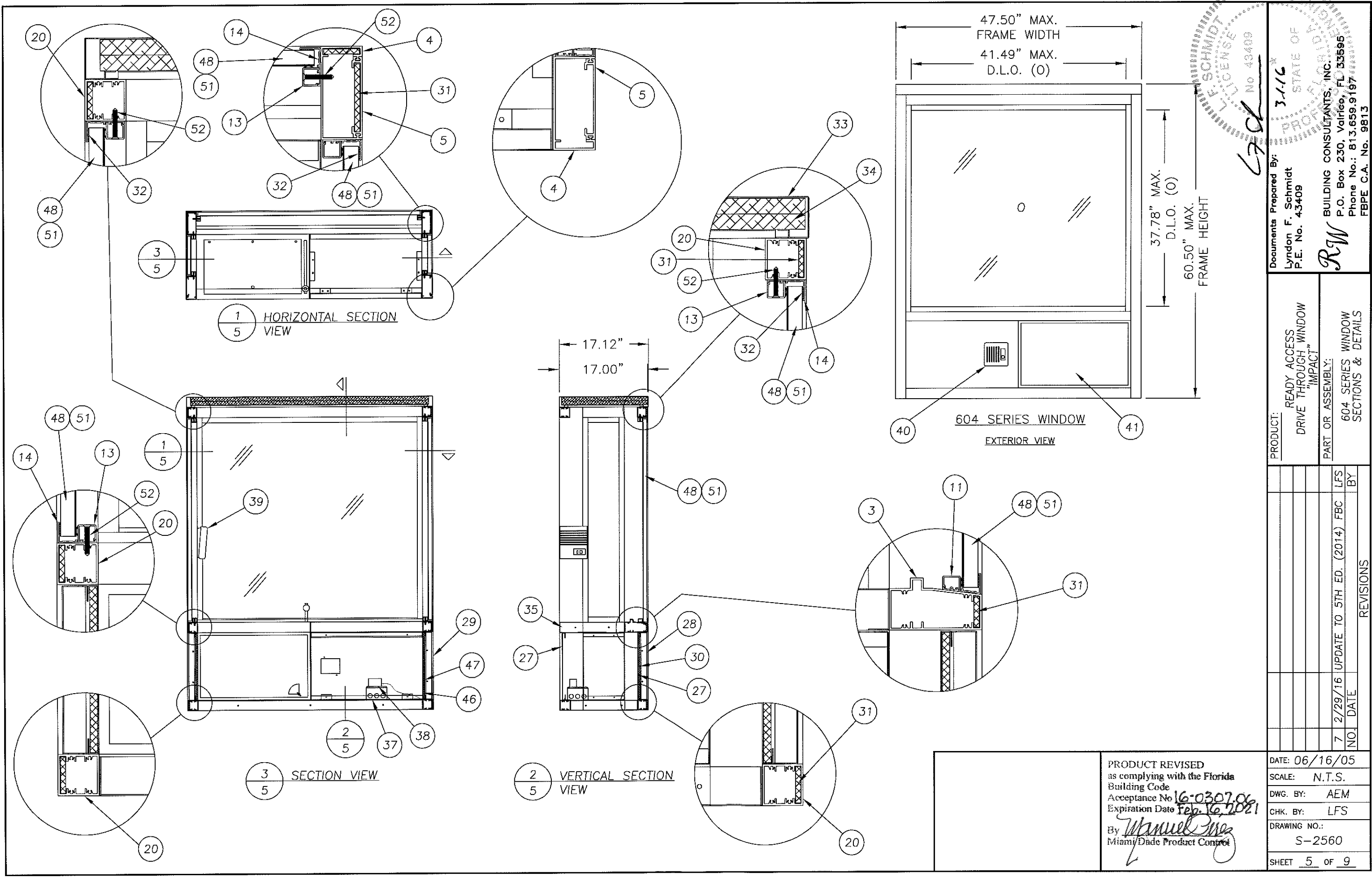
R.W. BUILDING CONSULTANTS, INC.  
 P.O. Box 230, Vairico, FL 33595  
 Phone No.: 813.659.9197  
 FBPE C.A. No. 9813

PRODUCT: READY ACCESS DRIVE THROUGH WINDOW "IMPACT"  
 PART OR ASSEMBLY: 603 SERIES WINDOW SECTIONS & DETAILS

REVISIONS	
NO.	DATE
7	2/29/16
	UPDATE TO 5TH ED. (2014) FBC
	LFS
	BY

DATE: 06/16/05  
 SCALE: N.T.S.  
 DWG. BY: AEM  
 CHK. BY: LFS  
 DRAWING NO.: S-2560  
 SHEET 4 OF 9

PRODUCT REVISED as complying with the Florida Building Code  
 Acceptance No. 16-030706  
 Expiration Date Feb. 16, 2021  
 By: *Manuel Perez*  
 Miami Dade Product Control



Documents Prepared By:  
 Lyndon F. Schmidt  
 P.E. No. 43409

**RW** BUILDING CONSULTANTS, INC.  
 P.O. Box 230, Vairio, FL 33596  
 Phone No.: 813.659.9197  
 FBPE C.A. No. 9813

PRODUCT: READY ACCESS DRIVE THROUGH WINDOW "IMPACT"

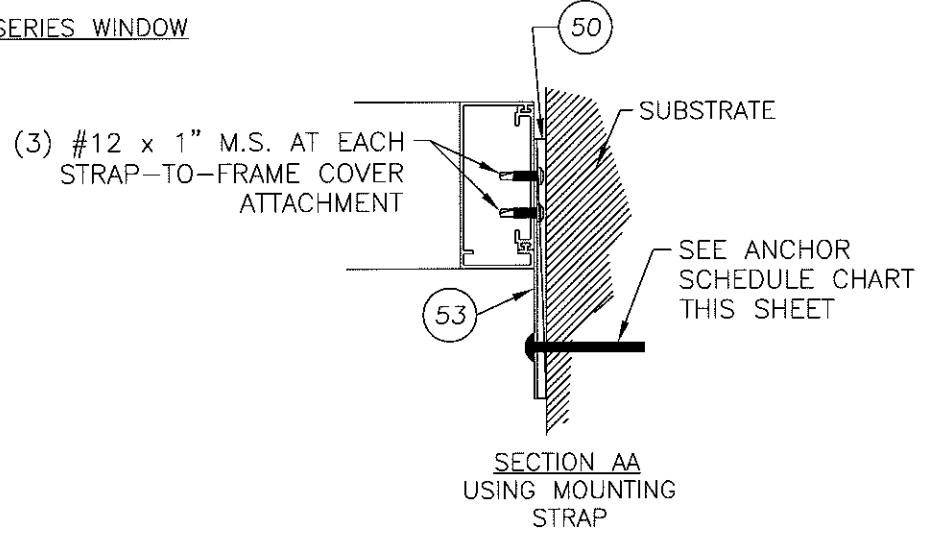
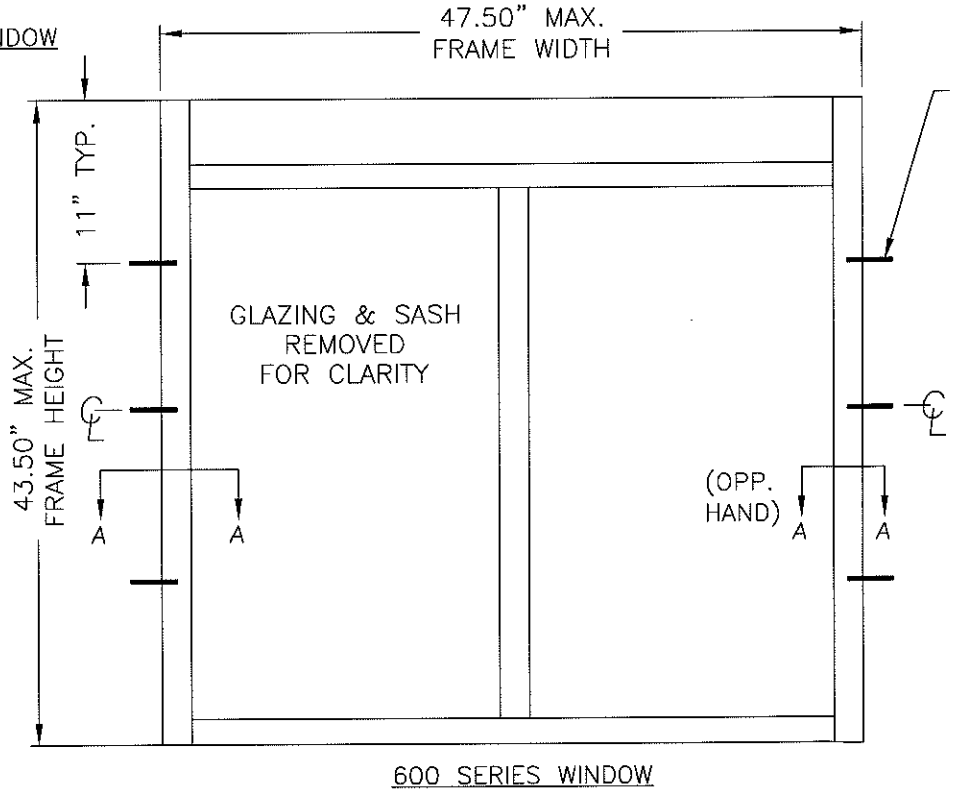
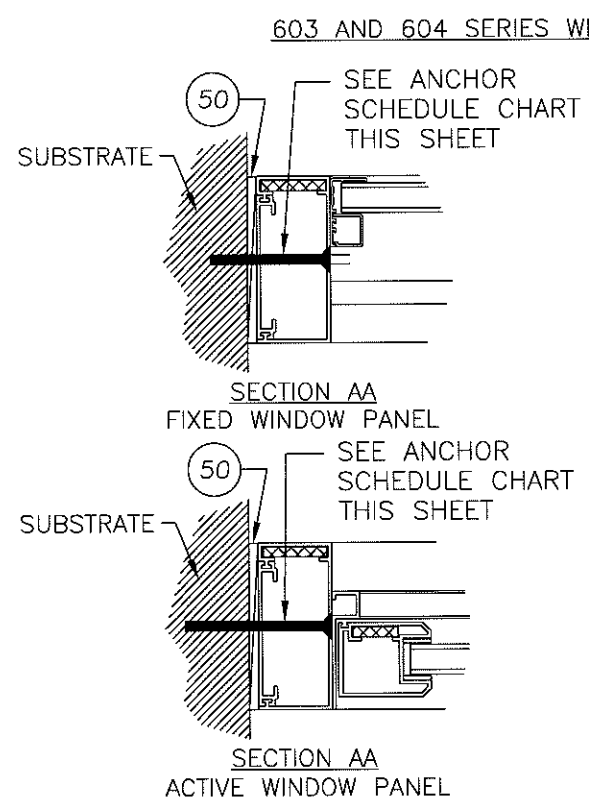
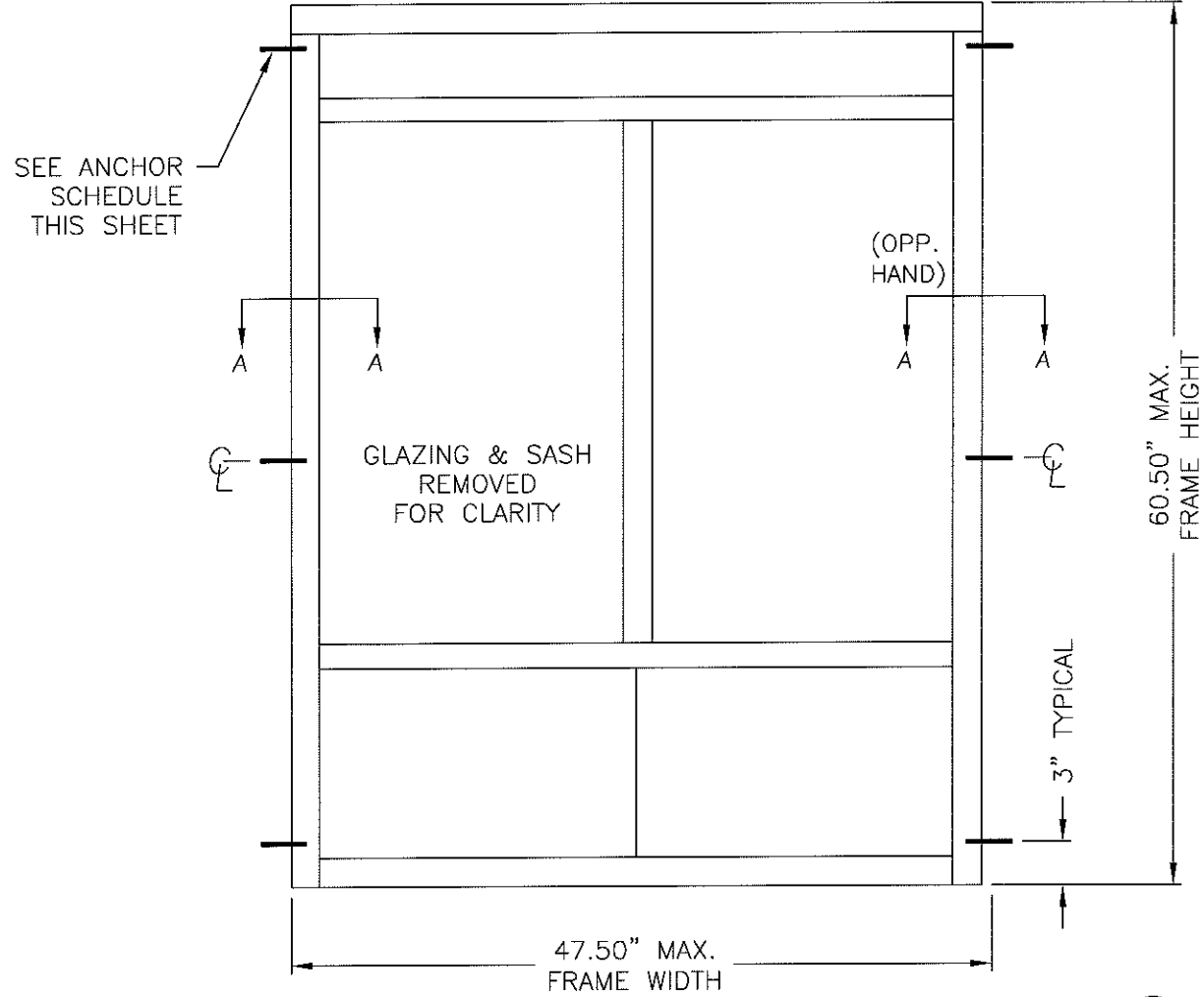
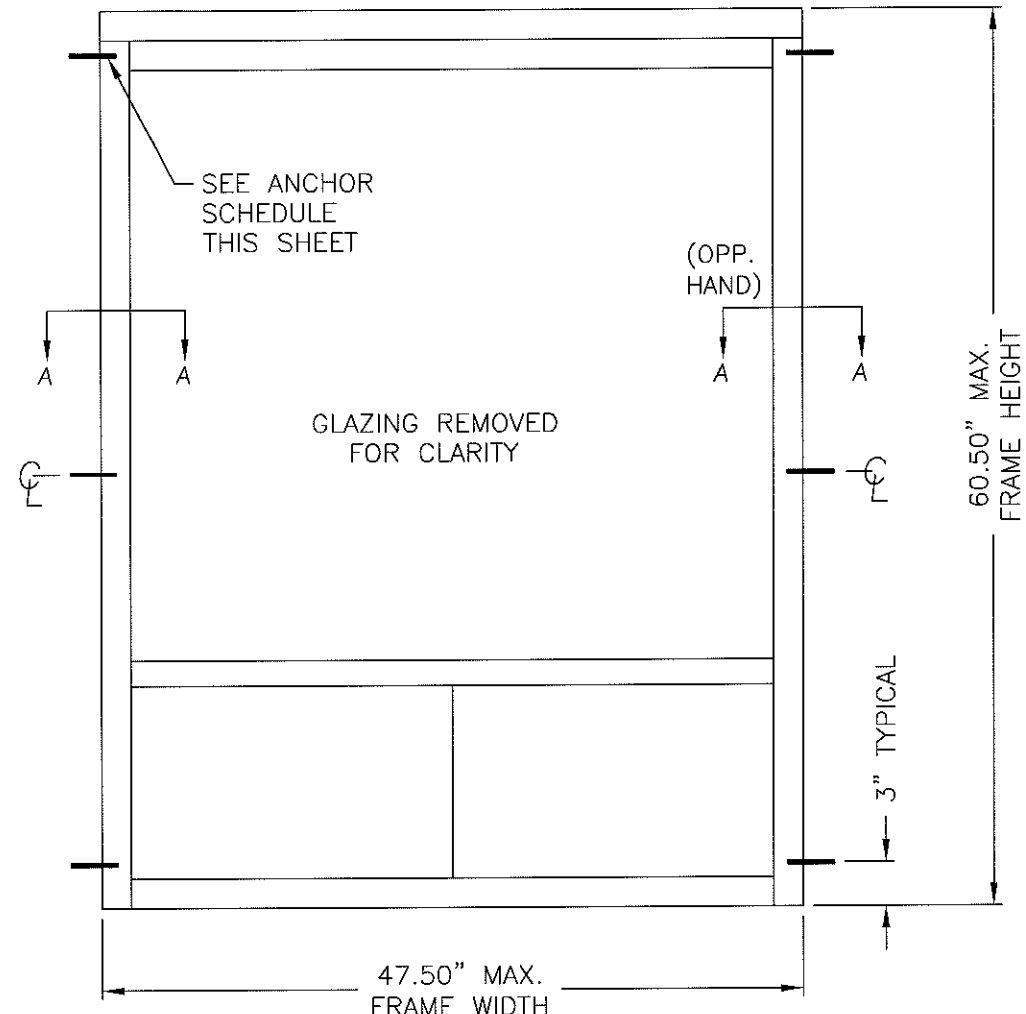
PART OR ASSEMBLY: 604 SERIES WINDOW SECTIONS & DETAILS

NO.	DATE	BY	REVISIONS
7	2/29/16	LFS	UPDATE TO 5TH ED. (2014) FBC

PRODUCT REVISED as complying with the Florida Building Code  
 Acceptance No. 16-030706  
 Expiration Date Feb. 16, 2021  
 By *Manuel Perez*  
 Miami/Dade Product Control

DATE: 06/16/05  
 SCALE: N.T.S.  
 DWG. BY: AEM  
 CHK. BY: LFS  
 DRAWING NO.: S-2560  
 SHEET 5 OF 9





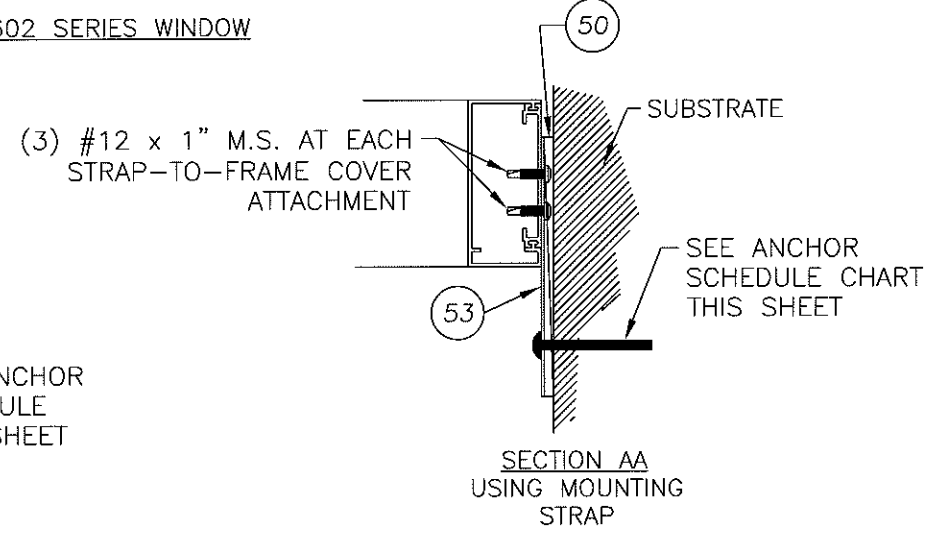
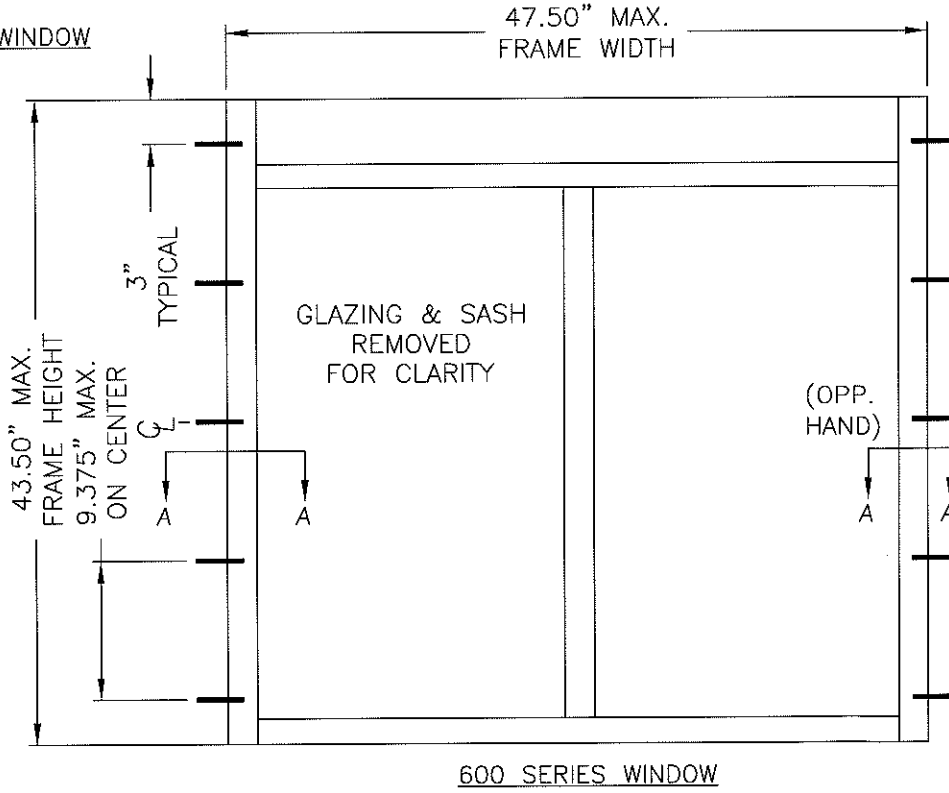
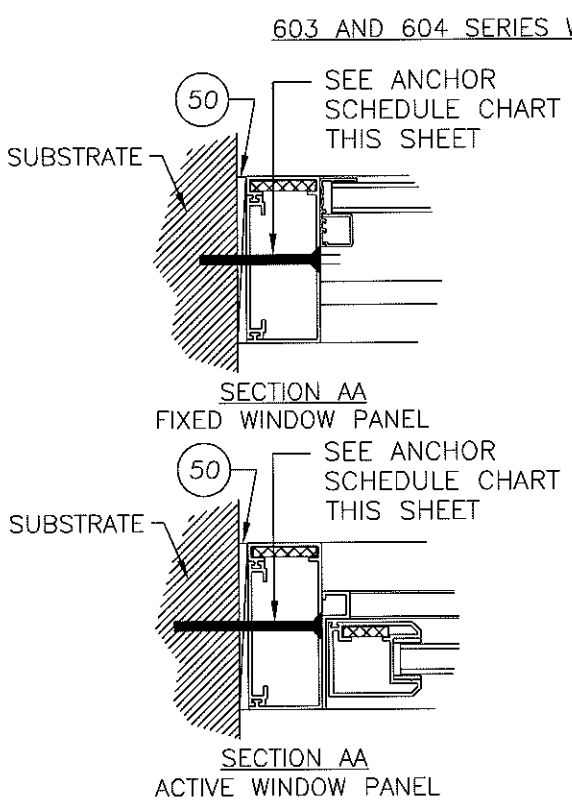
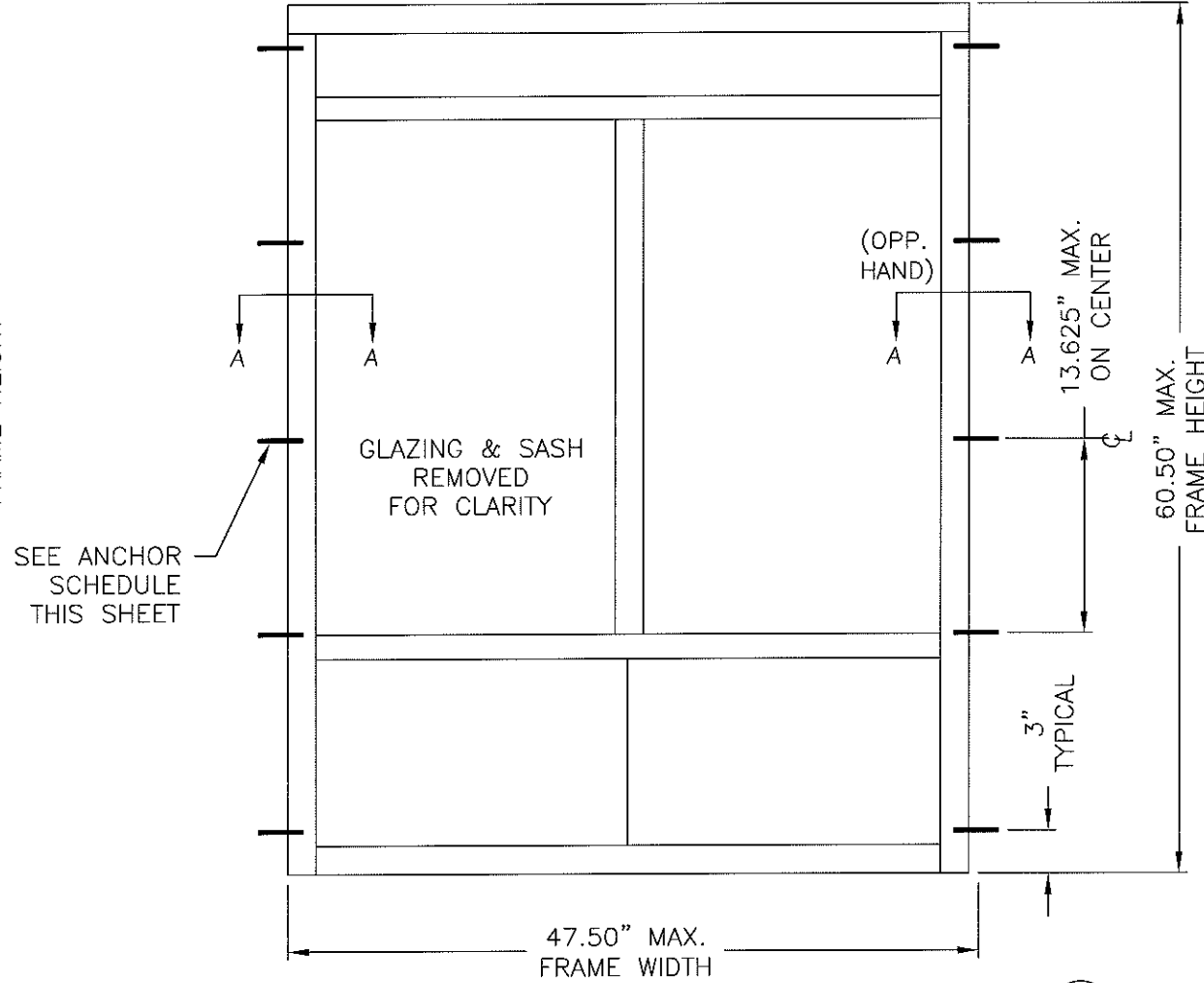
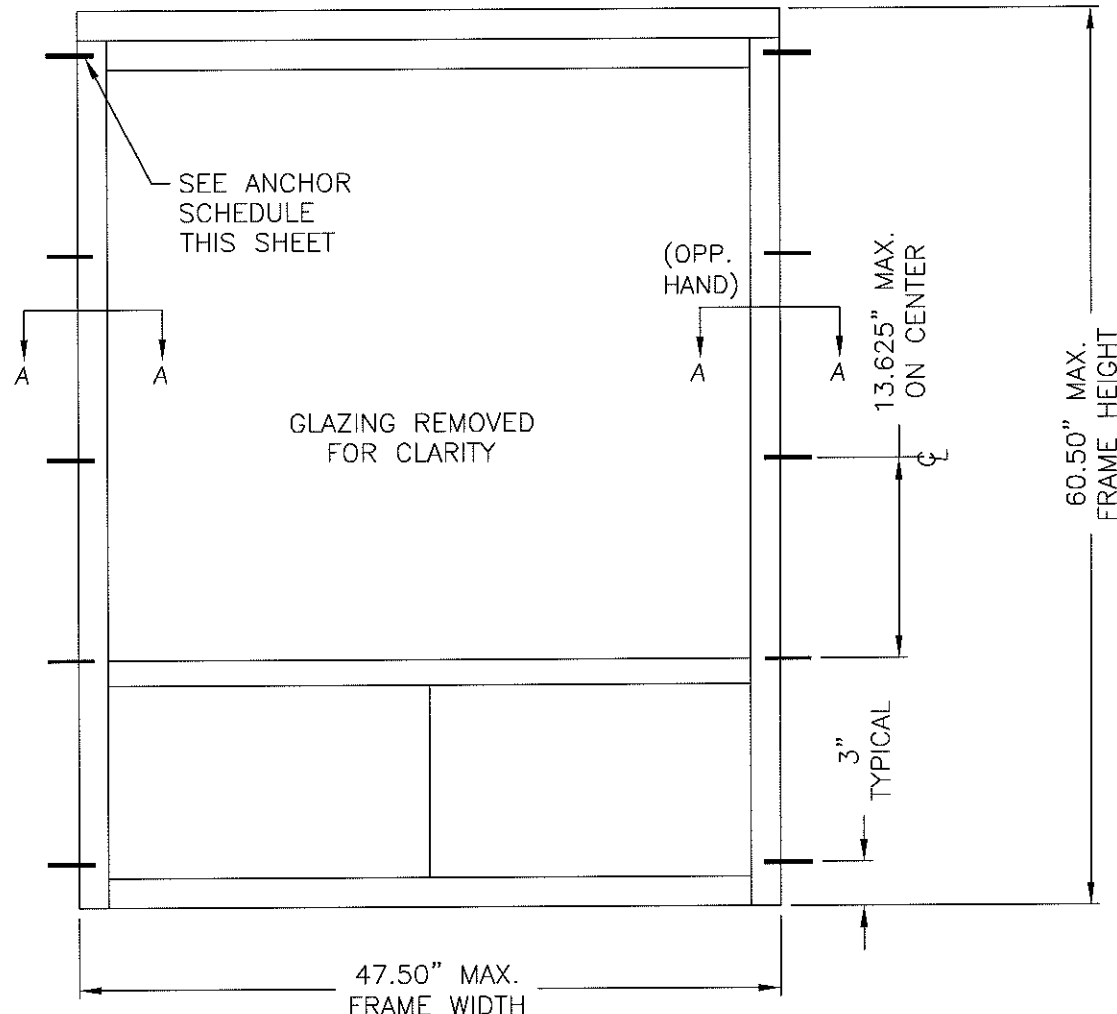
ANCHOR SCHEDULE	
SUBSTRATE	ANCHOR
STEEL: 16 GA. MIN. (ASTM A36, GRADE 33)	1/4-20 HILTI KWIK-FLEX SELF-DRILLING SHEET METAL SCREW (MIN. PROTRUSION OF 3 THREADS BEYOND FULL ENGAGEMENT)

**PRODUCT REVISED**  
 as complying with the Florida Building Code  
 Acceptance No. 16-030708  
 Expiration Date Feb 16, 2021  
 By *Manuel...*  
 Miami/Dade Product Control

Documents Prepared By:  
 Lyndon F. Schmidt  
 P.E. No. 43409

**RW BUILDING CONSULTANTS, INC.**  
 P.O. Box 230, Valrico, FL 33595  
 Phone No.: 813.659.9197  
 FBPE C.A. No. 9813

PRODUCT:	READY ACCESS DRIVE THROUGH WINDOW "IMPACT"	
PART OR ASSEMBLY:	ANCHORING WITH SHEET METAL SCREWS	
NO.	DATE	BY
7	2/29/16	LFS
REVISIONS		
DATE: 06/16/05		
SCALE: N.T.S.		
DWG. BY: AEM		
CHK. BY: LFS		
DRAWING NO.: S-2560		
SHEET 6 OF 9		



ANCHOR SCHEDULE	
SUBSTRATE	ANCHOR
WOOD (DOUBLE 2X BUCK): SG = 0.55 OR BETTER	#14 WOOD SCREW WITH 1.75" MIN. EMBEDMENT
CONCRETE: 3,000 PSI CONCRETE (ACI 301) HOLLOW BLOCK (ASTM C90)	1/4" DIA. ITW TAPCON CONCRETE SCREW WITH 1.25" MIN. EMBEDMENT, 2.5" MIN EDGE DISTANCE & 4" MIN. CL DISTANCE

STATE OF FLORIDA  
 PROFESSIONAL ENGINEERING  
 LICENSE NO. 43409  
 L. F. SCHMIDT  
 3.1.16

PRODUCT REVISED  
 as complying with the Florida  
 Building Code  
 Acceptance No. 16-0307-08  
 Expiration Date Feb. 16, 2021  
 By: *Manuel Lopez*  
 Miami Dade Product Control

Documents Prepared By:  
 Lyndon F. Schmidt  
 P.E. No. 43409

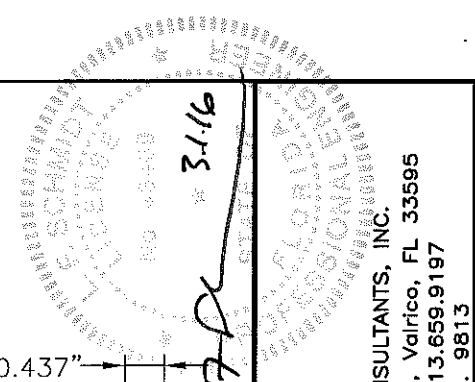
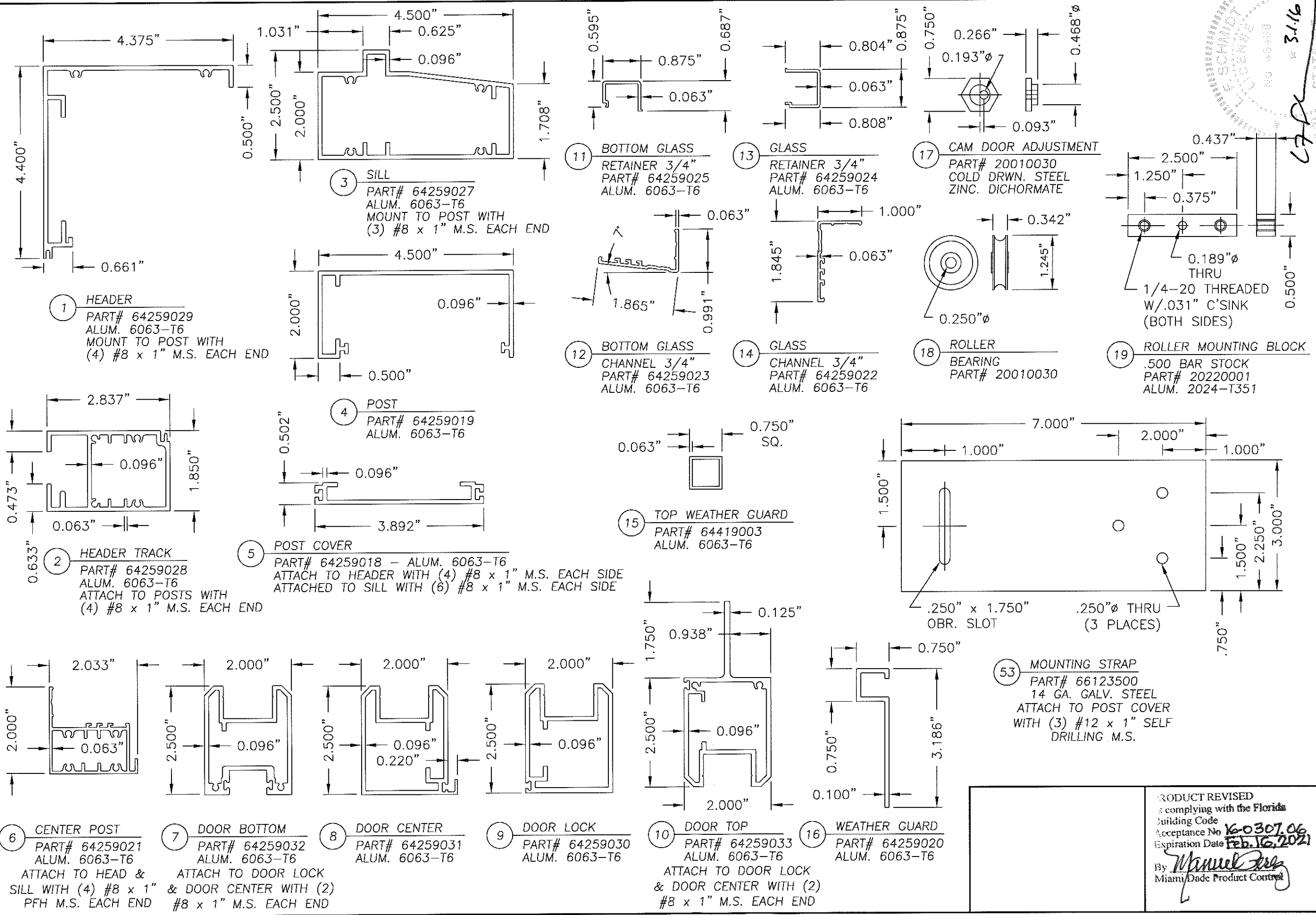
PRODUCT: READY ACCESS  
 DRIVE THROUGH WINDOW  
 "IMPACT"

PART OR ASSEMBLY:  
 ANCHORING WITH  
 WOOD OR CONCRETE SCREWS

NO.	DATE	REVISIONS	LFS	BY
7	2/29/16	UPDATE TO 5TH ED. (2014) FBC		

DATE: 06/16/05  
 SCALE: N.T.S.  
 DWG. BY: AEM  
 CHK. BY: LFS  
 DRAWING NO.: S-2560  
 SHEET 7 OF 9

R:\Clients\Ready Access Perm\DADE COUNTY\10-0224.01 RENEWAL-REVISIONS-2560.dwg, 8



Documents Prepared By:  
Lyndon F. Schmidt  
P.E. No. 43409

**RW** BUILDING CONSULTANTS, INC.  
P.O. Box 230, Vairico, FL 33595  
Phone No.: 813.659.9197  
FBPE C.A. No. 9813

PRODUCT: READY ACCESS DRIVE THROUGH WINDOW "IMPACT"  
PART OR ASSEMBLY: COMPONENTS

NO.	DATE	BY	LFS
7	2/29/16	DATE	BY

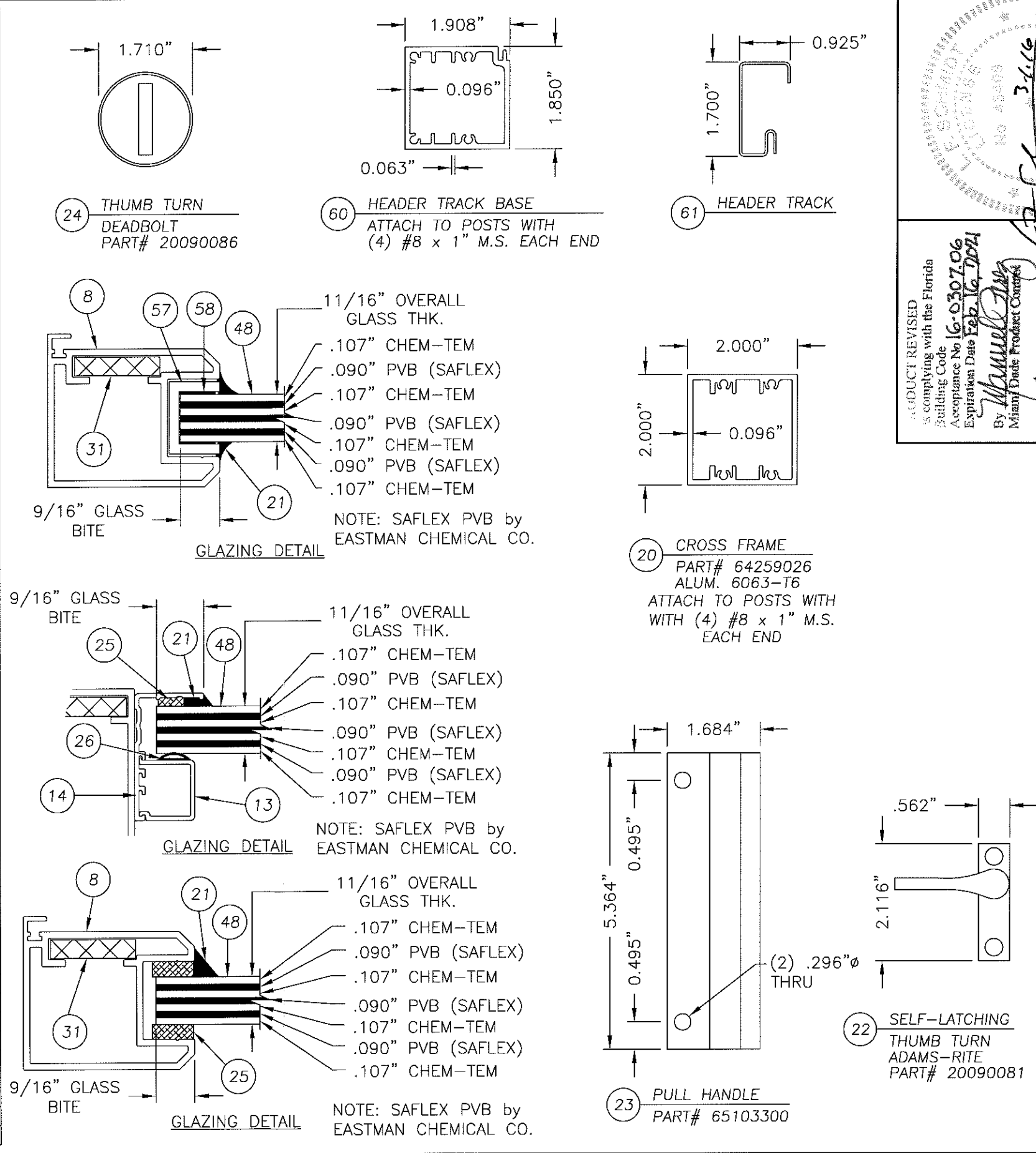
REVISIONS

PRODUCT REVISED  
complying with the Florida Building Code  
Acceptance No. **16-0307.06**  
Expiration Date **Feb. 16, 2021**  
By *Manuel Jara*  
Miami/Dade Product Control

DATE: 06/16/05  
SCALE: N.T.S.  
DWG. BY: AEM  
CHK. BY: LFS  
DRAWING NO.: S-2560  
SHEET 8 OF 9

© 2010 R.W. BUILDING CONSULTANTS INC.

ITEM	DESCRIPTION	MATERIAL
1	HEADER PART# 64259029 ALUM. 6063-T6	ALUM.
2	HEADER TRACK PART# 64259028 ALUM. 6063-T6	ALUM.
3	SILL PART# 64259027 ALUM. 6063-T6	ALUM.
4	POST PART# 64259019 ALUM. 6063-T6	ALUM.
5	POST COVER PART# 64259018 ALUM. 6063-T6	ALUM.
6	CENTER POST PART# 64259021 ALUM. 6063-T6	ALUM.
7	DOOR BOTTOM PART# 64259032 ALUM. 6063-T6	ALUM.
8	DOOR CENTER PART# 64259031 ALUM. 6063-T6	ALUM.
9	DOOR LOCK PART# 64259030 ALUM. 6063-T6	ALUM.
10	DOOR TOP PART# 64259033 ALUM. 6063-T6	ALUM.
11	GLASS RETAINER (3/4") PART# 64259025 ALUM. 6063-T6	ALUM.
12	BOTTOM GLASS CHANNEL (3/4") PART# 64259023 ALUM. 6063-T6	ALUM.
13	GLASS RETAINER (3/4") PART# 64259024 ALUM. 6063-T6	ALUM.
14	GLASS CHANNEL (3/4") PART# 64259022 ALUM. 6063-T6	ALUM.
15	TOP WEATHER GUARD PART# 64419003 ALUM. 6063-T6	ALUM.
16	WEATHER GUARD PART# 64259020 ALUM. 6063-T6	ALUM.
17	CAM DOOR ADJUSTMENT PART# 00651433 STEEL ZINC.	STEEL
18	ROLLER TRACK BEARING PART# 20010030 (SAE S2100)	STEEL
19	ROLLER MOUNTING BLOCK PART# 20220001 ALUM. 2024-T351	TPS
20	CROSS FRAME PART# 64259025 ALUM. 6063-T6	ALUM.
21	SILICONE GLAZING SEALANT DOW 999-A PART# 80050020	SILICONE
22	SELF-LATCHING THUMB TURN PART# 20090081	STEEL
23	PULL HANDLE PART# 65103300	STEEL
24	THUMB TURN DEADBOLT PART# 20090086	STEEL
25	GLAZING FOAM TAPE PART# 20200166	BUTYL
26	RUBBER SEAL "D" SHAPED PART# 40040004	EPDM
27	INSIDE FACE PANEL PART# 66121200 (18 ga. 304 Stainless St'l)	ST. STEEL
28	OUTSIDE FRONT FACE PANEL PART# 56121100 (18 ga 304 Stainless)	ST. STEEL
29	OUTSIDE SIDE FACE PANEL PART# 66120900 (18 ga 304 Stainless)	ST. STEEL
30	ARMOR PANEL (LUMAGARD 0.420" THK AG300)	COMPOSITE
31	ARMOR STRIP (LUMAGARD 0.420" THK AG300)	COMPOSITE
32	GLAZING TAPE 1/2" X .063" PART# 202001155	BUTYL
33	TOP CAP PART# 6122500 (18 ga 304 Stainless)	ST. STEEL
34	INSULATION PANEL (CEILING TILE, 5/8" THK)	CELLULOUS
35	COUNTER PART# 96120500	ST. STEEL
36	NOT USED	-
37	4X4 GANG BOX	-
38	SPEAKER POWER SUPPLY	-
39	INSIDE MASTER SPEAKER	-
40	OUTSIDE SPEAKER W/HOOKUP WIRE PRE INSTALLED PART# 20110021	-
41	PASS- THRU DRAWER PART# 96130000	-
42	NOT USED	-
43	ANGLED SHELF BRACKET (18 ga 304 Stainless)	ST. STEEL
44	ROLLER MTG. BOLT 1/4"-20 X 3/4" HEX HEAD MS (GRADE 5)	STEEL
45	ROLLER MTG. NUT 1/4"-20 NYLON LOCKING NUT	NYLON
46	INSIDE FACE PANEL PART# 66122800 (18 ga 304 Stainless)	ST. STEEL
47	ARMOR PANEL PART# 66125400 (LUMAGARD 0.420" THK AG300)	COMPOSITE
48	11/16" SECUR-TEM® 4 INTERLAYER BY EASTMAN CHEMICAL CO. .107" CHEM-TEM / .090" PVB / .107" CHEM-TEM / .090" PVB / .107" CHEM-TEM / .090" PVB / .107" CHEM-TEM	GLASS
49	INTERIOR INSIDE FACE PANEL P/N 66120900 (18 ga 304 Stainless)	ST. STEEL
50	SHIM 1/4" THK. MAX.	WOOD
52	#12 x 1-1/2" MS	STEEL
53	MOUNTING STRAP (14 ga GALV STEEL)	STEEL
57	GLAZING RETAINER	ALUMINUM
58	GLAZING TAPE	-
59	RIVET	ST. STEEL
60	HEADER TRACK BASE ALUM. 6063-T6	ALUMINUM
61	HEADER TRACK	ST. STEEL



**PRODUCT REVISED**  
 is complying with the Florida Building Code  
 Acceptance No. 16-030706  
 Expiration Date Feb. 16, 2024  
 By *Lyndon F. Schmidt*  
 Miami Dade Product Control

Documents Prepared By:  
 Lyndon F. Schmidt  
 P.E. No. 43409

**RW BUILDING CONSULTANTS, INC.**  
 P.O. Box 230, Valrico, FL 33595  
 Phone No.: 813.659.9197  
 FBPE C.A. No. 9813

**PRODUCT:** READY ACCESS DRIVE THROUGH WINDOW "IMPACT"  
**PART OR ASSEMBLY:** BILL OF MATERIALS, COMPONENTS & GLAZING DETAILS

NO.	DATE	DESCRIPTION	LFS	BY
7	2/29/16	UPDATE TO 5THG ED. (2014) FBC		

**REVISIONS**

DATE: 06/16/05  
 SCALE: N.T.S.  
 DWG. BY: AEM  
 CHK. BY: LFS  
 DRAWING NO.: S-2560  
 SHEET 9 OF 9

© 2010 R.W. BUILDING CONSULTANTS INC.