



DRIVE-THRU UNIT 3

AIR CURTAIN Series # DTU03

Designed specifically for
Drive-Thru windows.

Employee well being:
KEEP cold air,
car fumes and
insects **OUT!**



**READY
ACCESS[®]**

800-621-5045
www.ready-access.com



Compact, quiet,
simple to mount,
and easy to operate.

AIR CURTAIN Series # DTU03

Drive-Thru Unit 3

Chosen by both QSR managers and restaurant designers who are concerned with protecting the comfort of the person working the window, the DTU Drive-Thru Air Curtain is designed to meet the functional needs of the application, to integrate into the space and to keep installation costs to a minimum.

IDEAL APPLICATIONS:

- Drive-Thru Windows
- Concession Windows

HEAT OPTIONS:

- Electric

For window heights to 3'

Standard Construction

- 7" high x 7 3/4" deep
- One-speed motor(s)
- Factory installed on/off switch
- Silver powder-coated extruded aluminum exterior cabinet
- Optional:
Filter (washable)
- Parts Warranty:
One Year

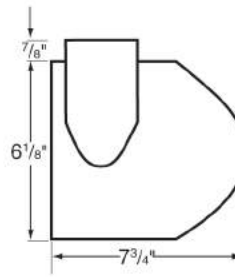
Installation & Mounting

Simple to install, operate & maintain

- Single lengths 18" or 26"
- No Assembly Required
- Factory installed "mount anywhere" bracket system
- 6' plug-in type power cord

Control Option

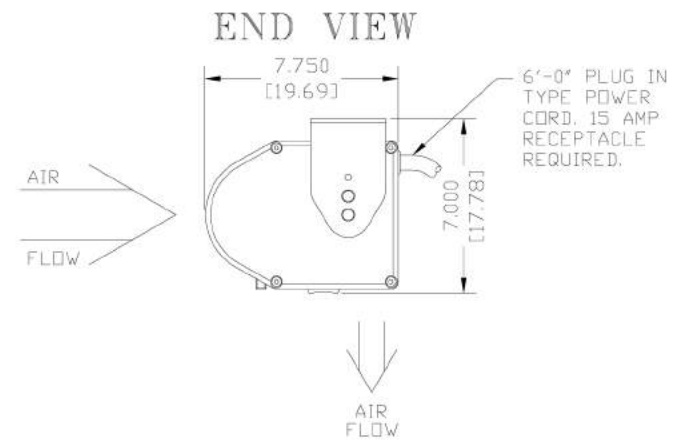
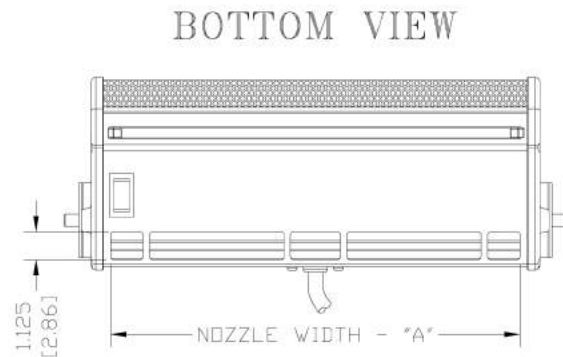
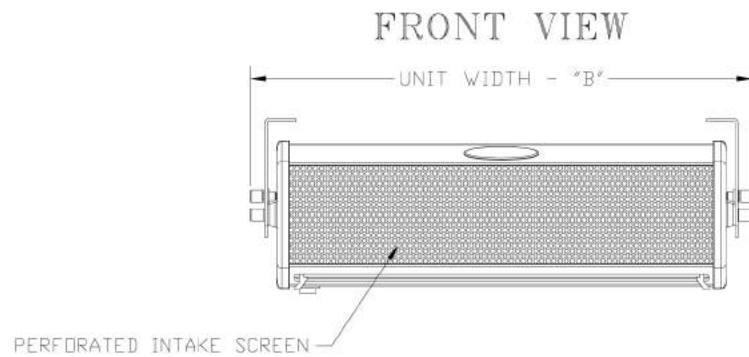
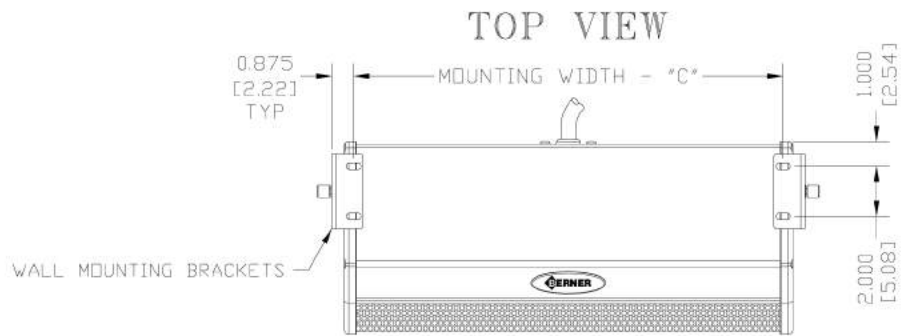
- Magnetic reed door switch kit



for outdoor use
ambient models only



DTU03 AMBIENT SYSTEM



NOTES:

- ⚠ AIR CURTAIN MUST BE INSTALLED SO AIR STREAM IS NOT OBSTRUCTED WHEN DEFLECTED 20° TO EITHER SIDE OF C_c .
- ⚠ ELECTRICAL CONNECTIONS TO BE FLEXIBLE.
- ⚠ FIELD VERIFY DIMENSIONS.
- ⚠ ANCHORS TO SUPPORTING STRUCTURE BY OTHERS.
- ⚠ ADEQUACY OF SUPPORTING STRUCTURE IS TO BE VERIFIED BY A PROFESSIONAL STRUCTURAL ENGINEER.
- ⚠ LETTER "AA" IN MODEL NUMBER DESIGNATES 120V AMBIENT UNIT.
- ⚠ DIMENSIONS IN INCHES (CENTIMETERS).

MODEL	NOZZLE WIDTH "A"	UNIT WIDTH "B"	MOUNTING WIDTH "C"
DTU03-1018AA	16.500 [41.91]	20.125 [51.12]	17.250 [43.82]
DTU03-2026AA	24.500 [62.23]	28.125 [71.43]	25.250 [64.14]

PROJECT		
LOCATION		
ARCHITECT		
ENGINEER		
DWG. NO.	DTU03-A	TITLE: BERNER
DATE	21MAY14	MODEL DTU03 AIR CURTAIN
BY	S. Beil	AMBIENT SYSTEM
REPLACES	-	BERNER INTERNATIONAL CORP. NEW CASTLE, PA.
BY	-	
PDF NO.		



DRIVE-THRU UNIT 3

Ambient (Unheated) Air Curtain
Electrical Performance Sheet

120/1/60 (voltage code A) MOTOR AMP DRAW = N/A			
MODEL	# CKTS	AMPS PER CIRCUIT	BREAKER RATING PER CIRCUIT
DTU03-1018A	1	1.6	15
DTU03-2026A	1	2.2	15

Berner reserves the right to alter specifications without prior notice.

For Opening Heights up to 3'

STANDARD CONSTRUCTION

- 7" high x 7 3/4" deep
- One speed motor(s)
- Factory installed on/off switch
- Silver powder coated extruded aluminum exterior cabinet
- Factory installed "Mount Anywhere" bracket system
- 6' plug-in type power cord
- Filter (washable)

**1 Year
Limited
Warranty**



for outdoor use

MODEL	Nozzle Width (in)	Max Vel. at Nozzle (fpm)	Avg. Outlet Vel. (fpm)	Air Volume (cfm)	Outlet Vel. Uniformity	Power Rating (kW)	Motor(s) @ hp	Net Wt. (lbs)
DTU03-1018A	16.50	2,800	1,047	135	76%	0.06	1 @ 1/12	11
DTU03-2026A	24.50	2,800	1,045	200	79%	0.10	1 @ 1/12, 1 @ 1/20	16

NOTE: Operation at 50 Hz will generate approximately a 17% reduction in air performance.
See sheet EP-010 for amp draws/total load requirements.

MODEL NUMBER CONFIGURATION

DTU03-1 018 A A

Series	# of Motors	Opening Width	Heat	Voltage
DTU03	1, 2	18" - 26"	A= Ambient	*A=120/1/60

*Suitable for 50hz

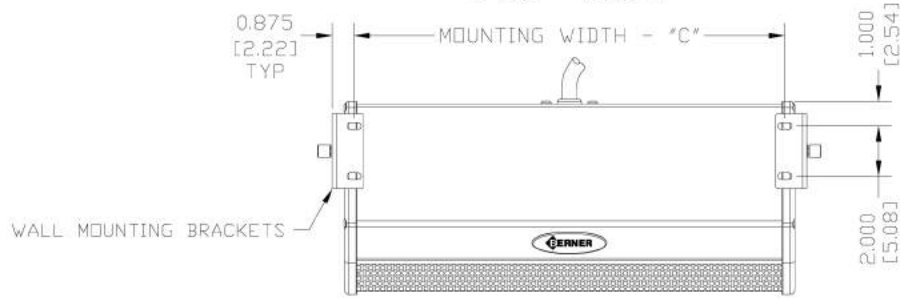
VELOCITY PROFILE: Model DTU03-1018A		
Distance from Nozzle (in)	1	36
Core Velocity (fpm)	1622	783

Sound level measured 10' (3m) from the unit in free field:
1 & 2 motor(s): 51.5 dBA & 52.0 dBA

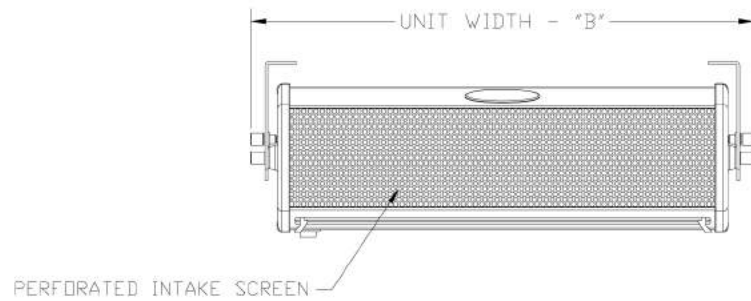
Berner reserves the right to alter specifications without prior notice.

DTU03 ELECTRIC HEATED

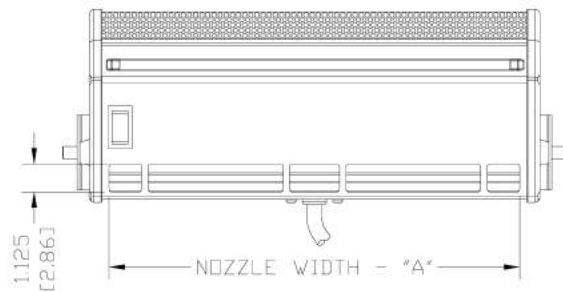
TOP VIEW



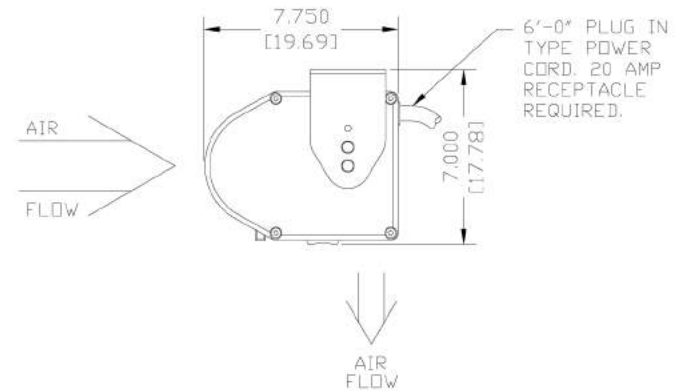
FRONT VIEW



BOTTOM VIEW



END VIEW



NOTES:

- 1 AIR CURTAIN MUST BE INSTALLED SO AIR STREAM IS NOT OBSTRUCTED WHEN DEFLECTED 20° TO EITHER SIDE OF C.
- 2 ELECTRICAL CONNECTIONS TO BE FLEXIBLE.
- 3 FIELD VERIFY DIMENSIONS.
- 4 ANCHORS TO SUPPORTING STRUCTURE BY OTHERS.
- 5 ADEQUACY OF SUPPORTING STRUCTURE IS TO BE VERIFIED BY A PROFESSIONAL STRUCTURAL ENGINEER.
- 6 LETTER "EA" IN MODEL DESIGNATES 120V ELECTRIC HEATED UNIT.
- 7 DIMENSIONS IN INCHES (CENTIMETERS).

MODEL	NOZZLE WIDTH "A"	UNIT WIDTH "B"	MOUNTING WIDTH "C"
DTU03-1018EA	16.500 [41.91]	20.125 [51.12]	17.250 [43.82]
DTU03-2026EA	24.500 [62.23]	28.125 [71.43]	25.250 [64.14]

PROJECT		
LOCATION		
ARCHITECT		
ENGINEER		
DWG. NO.	DTU03-E	TITLE: BERNER
DATE	21MAY14	MODEL DTU03 AIR CURTAIN
BY	S. Beil	ELECTRIC HEATED SYSTEM
REPLACES	-	BERNER INTERNATIONAL CORP. NEW CASTLE, PA.
BY	-	
PDF NO.		



DRIVE-THRU UNIT 3
Electric Heated Air Curtain
Electrical Performance Sheet

				120/1/60 (voltage code A) MOTOR AMP DRAW = N/A	
MODEL	kW (suffix)	Temp Rise °F	# CKTS	AMPS PER CIRCUIT (including motor)	BREAKER RATING PER CIRCUIT
DTU03-1018E	1.7 (017)	47	1	15.7	20*
DTU03-2026E	1.7 (017)	31	1	16.4	20*

*Power cord requires 20 amp receptacle

Berner reserves the right to alter specifications without prior notice.

For Opening Heights up to 3'

STANDARD CONSTRUCTION

- 7" high x 7 3/4" deep
- One speed motor(s)
- Factory installed fan/heat switch
- Silver powder coated extruded aluminum exterior cabinet
- Factory installed "Mount Anywhere" bracket system
- 6' plug-in type power cord
- Filter (washable)

- Open helical element with point suspension
 - Thermal overload protection
 - Galvanized steel frame

**1 Year
Limited
Warranty**



MODEL	Nozzle Width (in)	Max Vel. at Nozzle (fpm)	Avg. Outlet Vel. (fpm)	Air Volume (cfm)	Outlet Vel. Uniformity	Power Rating (kW)	Motor(s) @ hp	Max Electric Capacity (kW)	Heater Output (MBH)	Air Temp. Rise (°F)	Net Wt. (lbs)
DTU03-1018E	16.50	2,800	1,047	135	76%	0.06	1 @ 1/12	1.7	5.8	40°	12
DTU03-2026E	24.50	2,800	1,045	200	79%	0.10	1 @ 1/12, 1 @ 1/20	1.7	5.8	27°	18

NOTE: Operation at 50 Hz will generate approximately a 17% reduction in air performance.

See sheet EP-012 for amp draws/total load requirements.

MODEL NUMBER CONFIGURATION

DTU03-1 018 E A

Series	# of Motors	Opening Width	Heat	Voltage
DTU03	1, 2	18" - 26"	E=Electric Heated	*A=120/1/60

*Suitable for 50hz

Sound level measured 10' (3m) from the unit in free field:
1 & 2 motor(s): 51.5 dBA & 52.0 dBA

Berner reserves the right to alter specifications without prior notice.