

Drive-Thru Unit Air Curtain



Quick Setup Guide

Drive-Thru Unit Quick Setup Guide

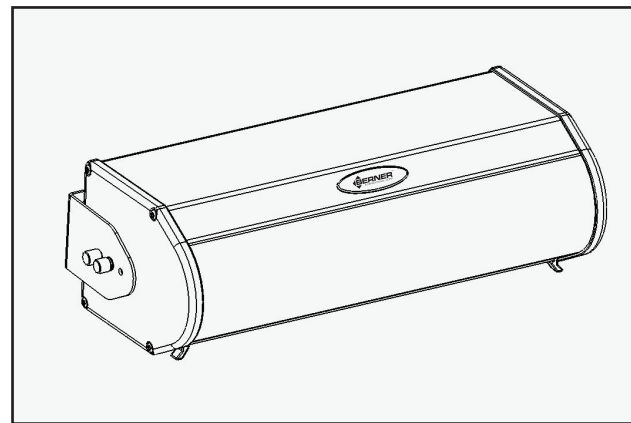
For Models: DTU03-1018AA, DTU03-2026AA, DTU03-1018EA, DTU03-2026EA



Before setup and operation of this Air Curtain, please see the safety instructions in your Installation Instruction document.

BEFORE MOUNTING

Unit will arrive with Standard Mounting Brackets attached & a set of Spanning Brackets.

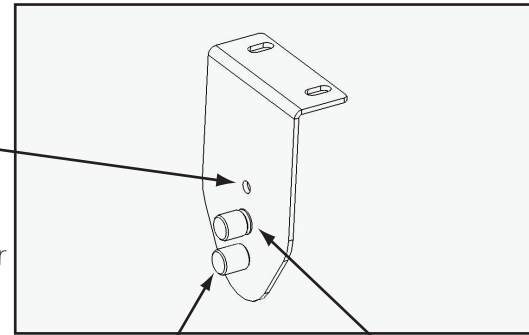


*See back page for parts diagram

How the Standard Mounting Bracket works

Compact Mounting Hole:

Allows unit to mounted closer to the wall



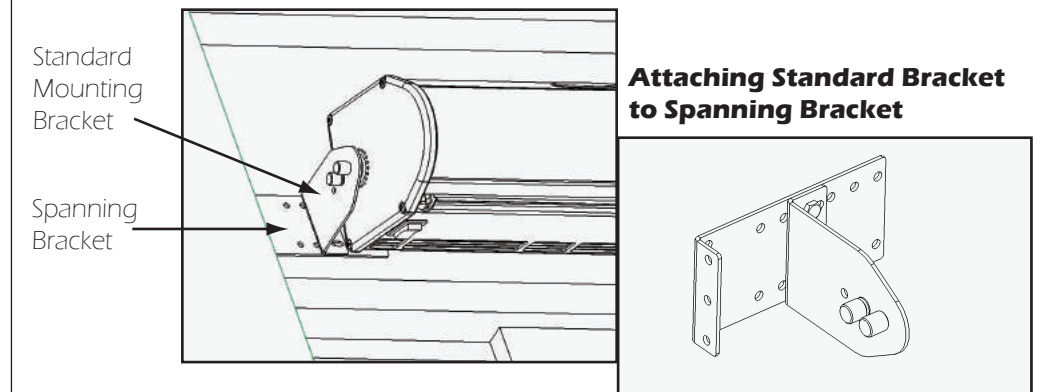
Pivot Thumbscrew:

Affixes mounting bracket to Air Curtain

Position Lock Thumbscrew:

Can be loosened and reset to any of the holes on the end cap of the unit.

When is it appropriate to use the Spanning Brackets?



Use the Spanning Brackets when there is no suitable place to attach the Standard Brackets above or behind the unit. Or stated another way, when the only suitable attachment surface is out to the side of the unit.

MOUNTING STEPS

MOUNTING NOTES

- Mount as close to the top of the window opening as possible.
- The supporting structure and mounting hardware should be capable of supporting a minimum of three times the weight of the unit.

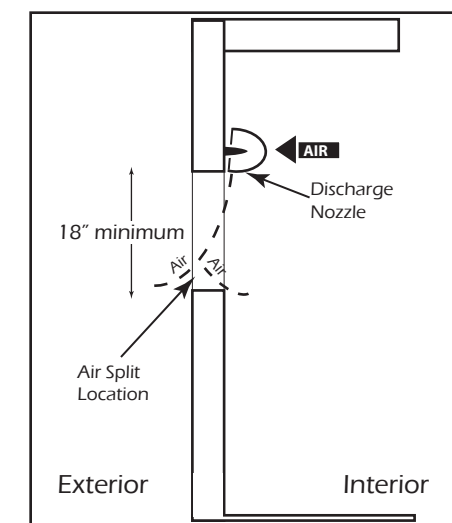
MODEL	NET WEIGHT AMBIENT (lbs)	NET WEIGHT ELECTRIC (lbs)
DTU03-1018	10	11
DTU03-1026	13	14

STEP 1

1. Remove Air Curtain and Spanning Brackets from packaging.
2. Choose mounting method: above the unit, behind the unit (Standard or Compact Mounting Hole), to the sides with the Spanning Brackets, or with the Adjustable Extension Brackets.
Note: Adjustable Extension Brackets are an accessory that can be purchased to replace the Standard Brackets and allow for a mounting distance of up to 9" from the Air Curtain.
3. Before drilling holes in the wall to attach the mounting bracket, mark drilling points by holding the whole Air Curtain up to the wall and positioning the brackets where you would like them to be mounted. Make drilling points by marking the wall through the holes of the brackets.
4. Remove the brackets from the unit, and back out the Position Lock Thumbscrews so they will not be in the way in step 6.
5. Attach the brackets to the wall.
6. Position the unit in between the mounted brackets and reinstall the Pivot Thumbscrews.

STEP 2

After mounting, use the Position Lock Thumbscrew to achieve the proper angle of air flow.



Rotate the Air Curtain by adjusting its position in the mounting brackets so the split location is at the base of the window.