

What the

BEST DRESSED



Drive-thru is Wearing

BUMP OUT 4

Featuring the largest service opening of any Bump Out style window, the Bump Out 4 is perfect for bulk orders, boxed groceries, case goods, and other large items. Panoramic visibility and inside counter space, combined with an attractive design, make this window ideal for a wide variety of applications.

PRODUCT DESCRIPTIONS

- **Huge 19"W x 32"H Service Opening**
This large service opening makes the Bump Out 4 ideal for the bulkiest of orders.
- **Frame Size**
Standard window dimensions are 27 3/4"W x 48 3/4"H.
- **Panoramic Visibility**
The classic Ready Access Bump-out design promotes visibility and personal contact by offering a three sided, 180 degree view of cars and customers..
- **Quality Construction**
Anodized aluminum extrusions, stainless steel, and 1/4" tempered glass combine to give you an attractive window that not only enhances most building exteriors, but will not rust, pit or weather. Track free bottom sill provides for a contaminant free surface.
- **Security**
Three separate interior slide locks are provided to prevent outside operation.
- **Fully Assembled, Ready to Install**
Ready Access windows are shipped completely preassembled, and fully glazed for lower installation costs. Normal installation takes less than two hours.



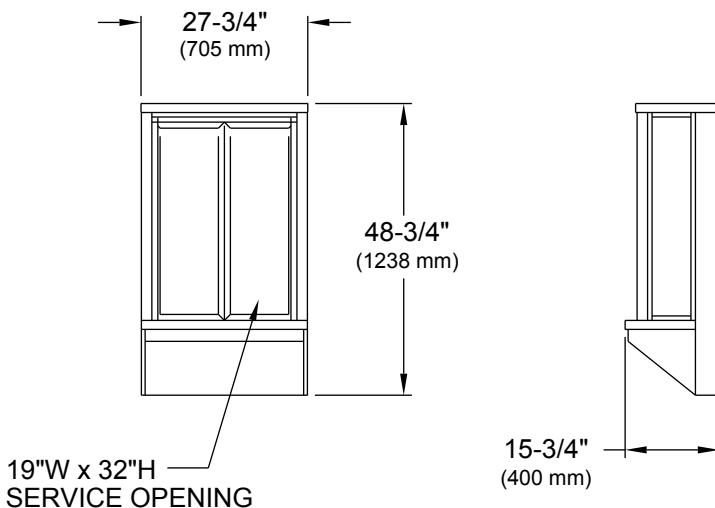
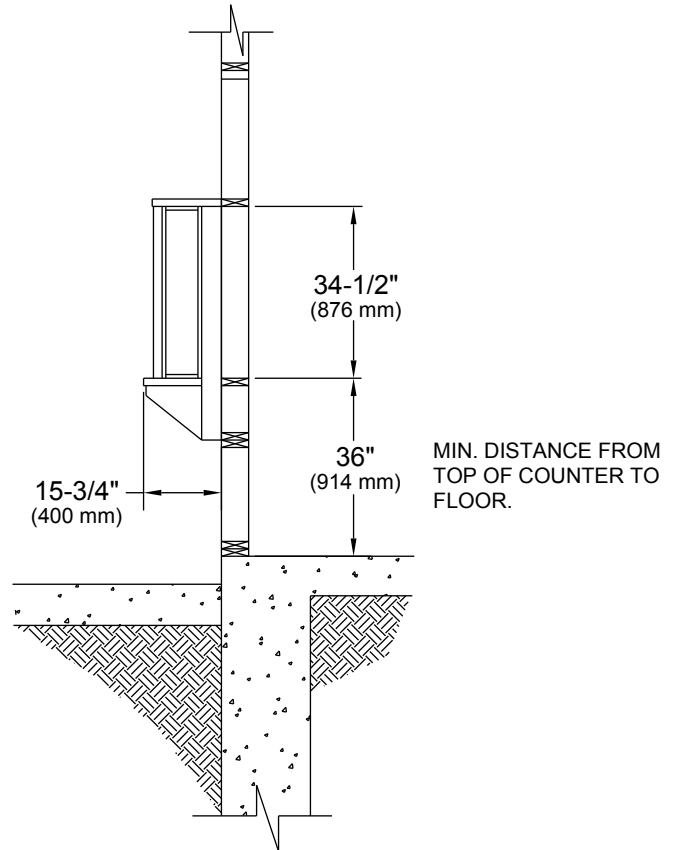
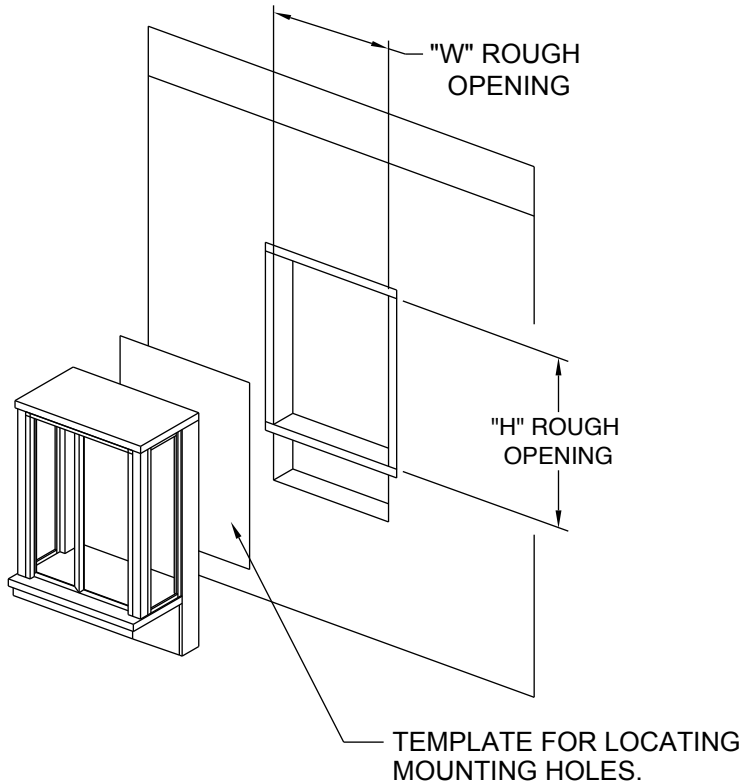
- **Warranty and Service Support**
Your Ready Access window comes with a one year limited warranty on parts and labor. In addition, each window is backed by a world wide service organization.
- **SEMI-AUTOMATIC OR FULLY AUTOMATIC OPERATION**
 - Semi-Automatic**
As the operator leans forward against the padded plunger, the two door panels conveniently fold inward to open. The two door panels close when the plunger is released. A retro-fit kit is also available to convert semi-automatic models into fully-automatic units.
 - Fully-Automatic**
The operator simply steps into and breaks an electronic light beam which opens the door panels automatically. The door panels automatically close when the operator steps away from the electronic light beam.
- **AVAILABLE OPTIONS**
 - Our Bump-out 4 is available in statuary bronze or clear anodized aluminum.
 - Tinted glass is available upon request.
 - Powder coat painting is available in a wide range of custom colors

ARRIVES READY FOR INSTALLATION

Your Ready Access window is shipped completely assembled and ready for installation. Comes with instructions.

BUMP-OUT 4 BI-PARTING WINDOW

Semi-automatic operation or Fully-automatic operation



BUMP-OUT 4 ROUGH OPENINGS

Glazing Rough Opening =
24-1/4"W (616 mm) x 34-1/2"H (876 mm)
Masonry Rough Opening =
28-1/4"W (718 mm) x 49-1/4"H (1251 mm)

ELECTRICAL REQUIREMENTS

USA (DOMESTIC) : 115 vac - 60 Hz
WITH A 15 amp
BRANCH CIRCUIT

INTERNATIONAL : 220/240 vac - 50/60 Hz
WITH A MAX. 8 amp
BRANCH CIRCUIT

Window must be installed square and plumb.

Installation illustrations are for reference only. Construction and local codes will determine proper installation of window.

Contact Ready Access for more information on installation.

