

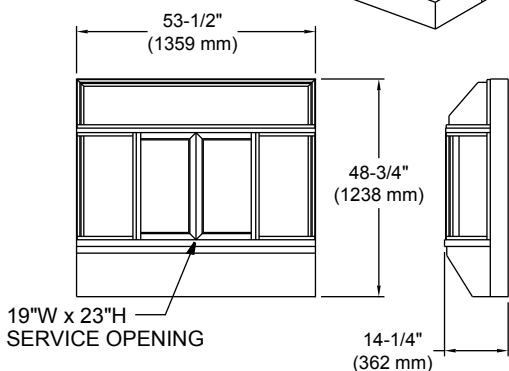
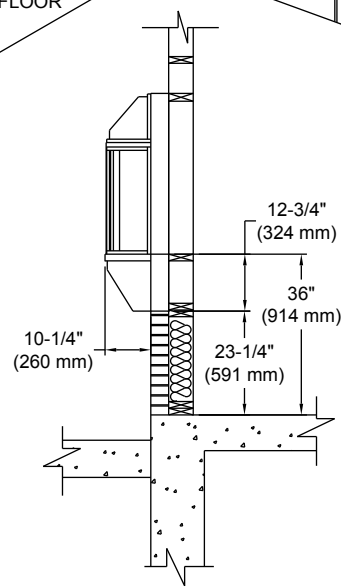
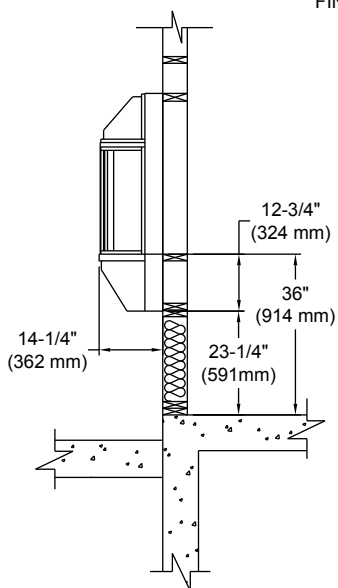
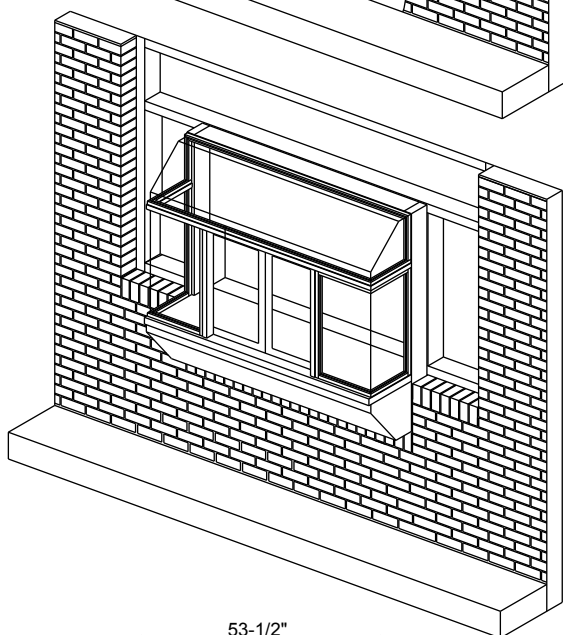
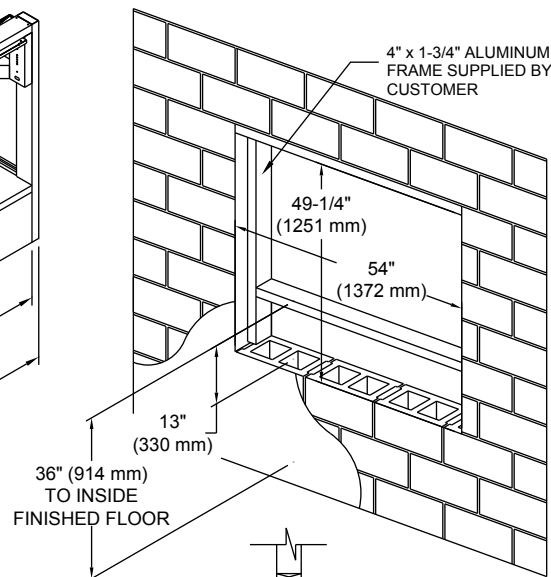
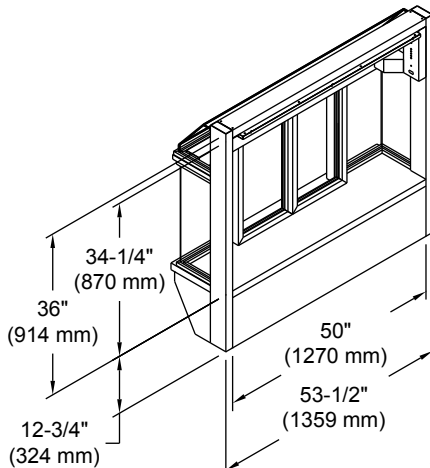
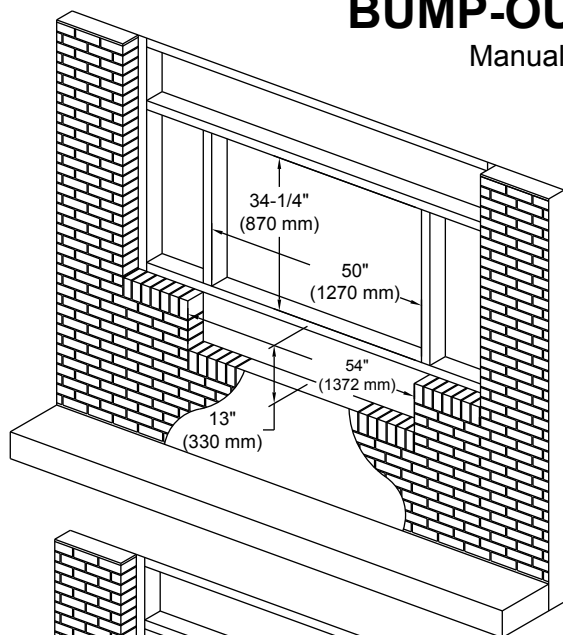


# ARRIVES READY FOR INSTALLATION

Your Ready Access window is shipped completely assembled and ready for installation. Comes with instructions.

## BUMP-OUT 10 BI-PARTING WINDOW

Manual operation or Fully-automatic operation



SERVICE OPENING ADJUSTS TO 12\"W X 23\"H FROM THE PUSH OF A BUTTON.

### BUMP-OUT 10 ROUGH OPENINGS

Glazing Rough Opening =  
50\"W (1270 mm) x 34-1/4\"H (870 mm)  
Masonry Rough Opening =  
54\"W (1372 mm) x 49-1/4\"H (1251 mm)

### ELECTRICAL REQUIREMENTS

USA (DOMESTIC) : 115 vac - 60 Hz  
WITH A 15 amp  
BRANCH CIRCUIT  
INTERNATIONAL : 220/240 vac - 50/60 Hz  
WITH A MAX. 8 amp  
BRANCH CIRCUIT

Window must be installed square and plumb.

Installation illustrations are for reference only. Construction and local codes will determine proper installation of window.

Contact Ready Access for more information on installation.

