

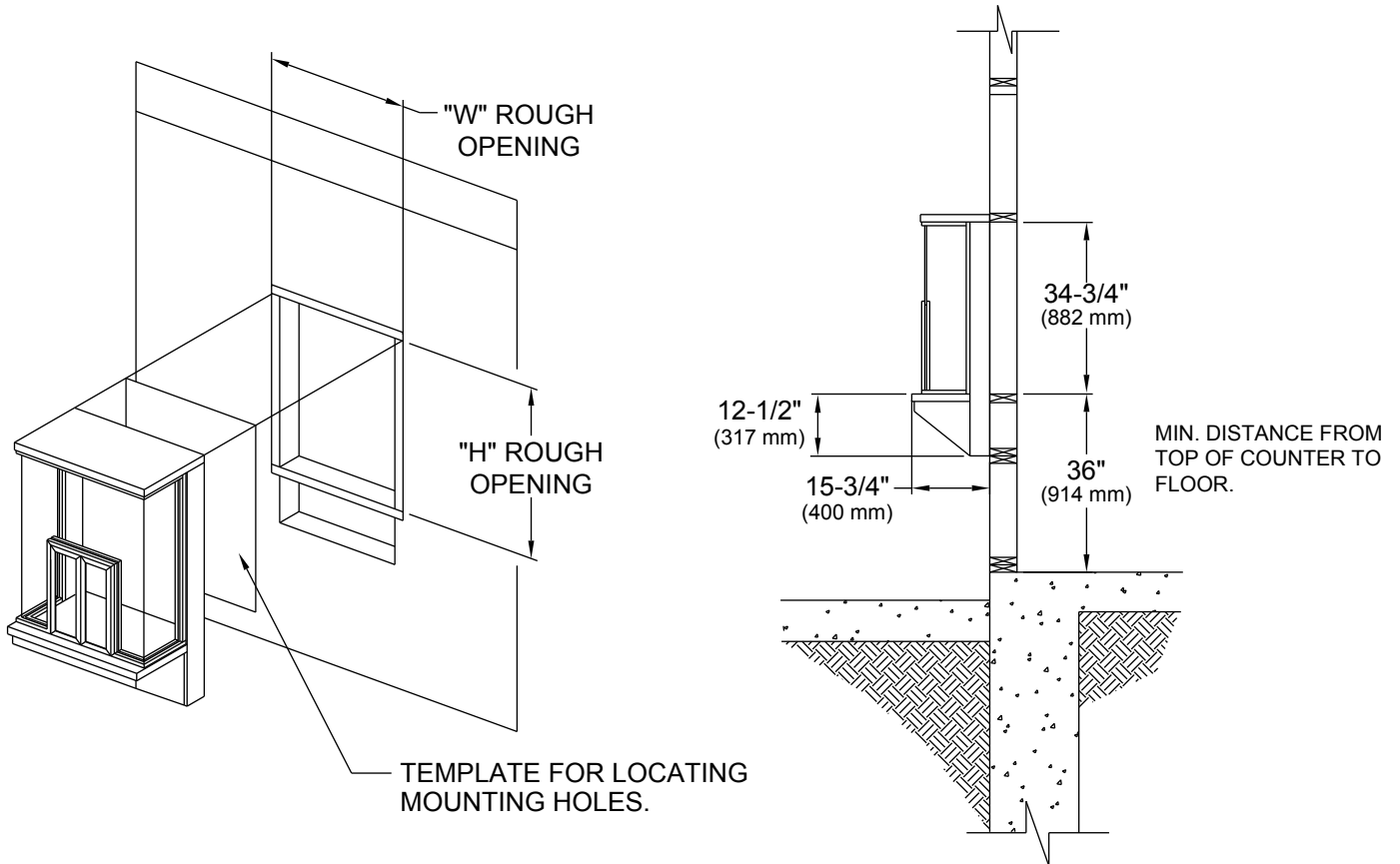


# ARRIVES READY FOR INSTALLATION

Your Ready Access window is shipped completely assembled and ready for installation. Comes with instructions.

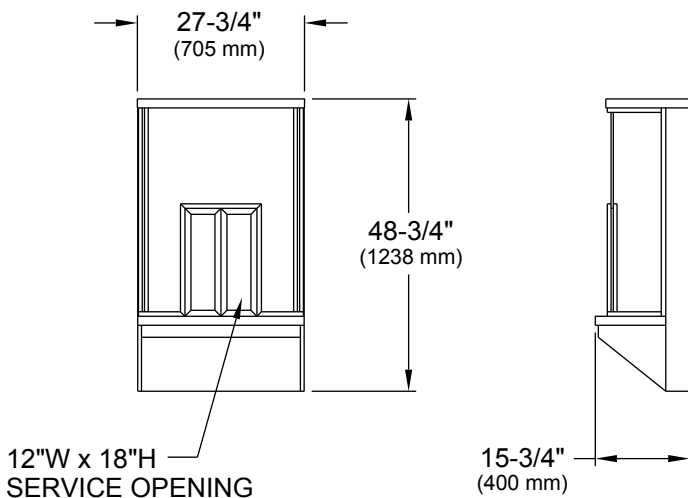
## BUMP-OUT 1 BI-PARTING WINDOW

Manual operation



### BUMP-OUT 1 ROUGH OPENINGS

Glazing Rough Opening =  
24-1/4"W (616 mm) x 34-1/2"H (876 mm)  
Masonry Rough Opening =  
28-1/4"W (718 mm) x 49-1/4"H (1251 mm)



Window must be installed square and plumb.

Installation illustrations are for reference only. Construction and local codes will determine proper installation of window.

Contact Ready Access for more information on installation.

