

What the

BEST DRESSED

**READY
ACCESS®**

Drive-thru is Wearing

275 SINGLE PANEL SLIDER SERIES

For retail operators who want to get an edge on their competition by offering customers convenient, face-to-face service, the 275 Single Panel Slider is perfect. Ideal for fast food, walk-up service, and many other applications.

PRODUCT DESCRIPTIONS

- **4 Standard Sizes Available**

- 47 1/2"W x 43 1/2"H with a 19" wide x 36" high service opening
- 47 1/2"W x 35 3/4"H with a 19" wide x 28" high service opening
- 47 1/2"W x 35 3/4"H with a 15" wide x 28" high service opening
- 35 3/4"W x 35 3/4"H with a 14" wide x 28" high service * opening (SC / MOER)
- Passes California restricted opening requirements of 432 square inches. *

- **3 Modes of Operation**

- **275 Manual Open/Self Closing**

So simple to operate, the service door opens effortlessly and automatically slides shut when operator releases the handle.

- **275 M.O.E.R. (Manual Open/Electronic Release)**

The 275 Manual Open/Electronic Release Window has a manual open, self closing operation which electro-magnetically holds the window open until the operator finishes their transaction and steps out of the presence sensor. This unit is field adjustable to the length of time the window will stay open.

- **275 Electric**

With a hands-free operation the 275 Electric Window is ideal for heavy traffic situations. It provides easier operation and speedier service than the manual operating windows. This unit is field adjustable to the length of time the window will stay open.

- **Quality Construction**

Anodized aluminum extrusions, stainless steel and 1/4" tempered glass combine to give you an attractive window that not only enhances building exteriors, it will not rust, pit or weather. Track free bottom sill provides for a contaminant free surface.

- **Triple Security Locks**

The 275 automatically locks each time the window closes, providing security when the window is left unattended. When the drive-thru is closed, thumbturn & night security bar helps prevent outside entry. In high risk locations, an optional security bar set is available.



- **Fully Assembled, Ready to Install**

Ready Access windows are shipped completely preassembled, and fully glazed for lower installation costs. Normal installation takes less than two hours.

- **Unique Design**

Bottom sill is angled downward to provide protection against the elements such as rain, sleet, and snow.

- **Warranty and Service Support**

Your Ready Access window comes with a one year limited warranty on parts and labor. Each window is backed by a worldwide service organization.

- **STANDARD OPTIONS**

The 275 series window is available in statuary bronze, or clear anodized aluminum.

A retrofit kit is available for the 275 Self Closer that easily upgrades the window from a manual operation to a MOER or fully automatic electric operation.

Right to left or left to right opening available (as seen from outside view).

For non food service applications window can be made manual open / manual close.

- **CUSTOM OPTIONS**

Custom sizes are available to satisfy any unusual operations requirement or health department code.

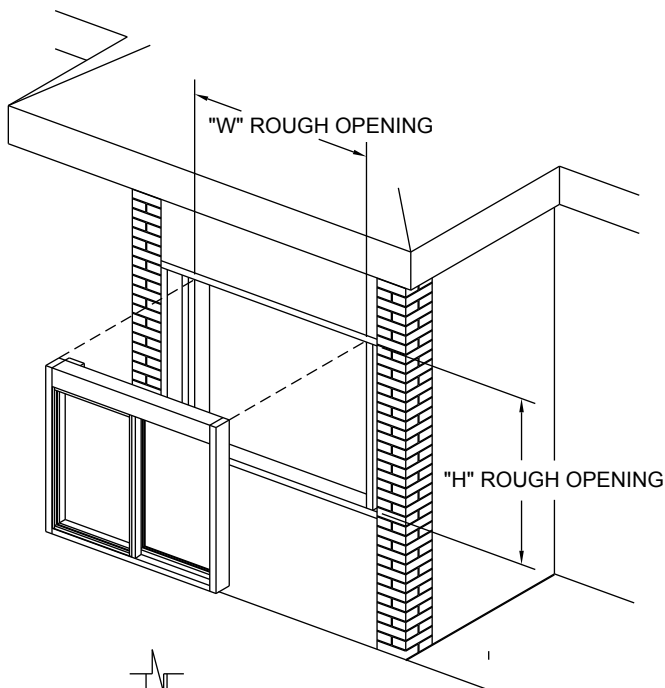
Tinted glass is available upon request.

Powder coat painting is available in a wide range of custom colors.

ARRIVES READY FOR INSTALLATION

Your Ready Access window is shipped completely assembled and ready for installation. Comes with instructions.

275 SERIES



275 - 47-1/2"W x 43-1/2"H

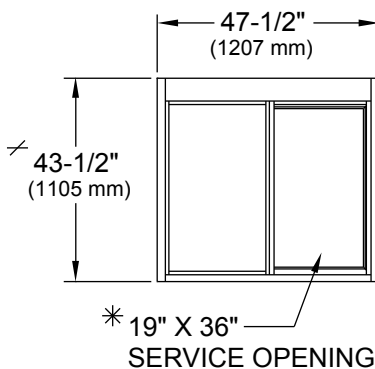
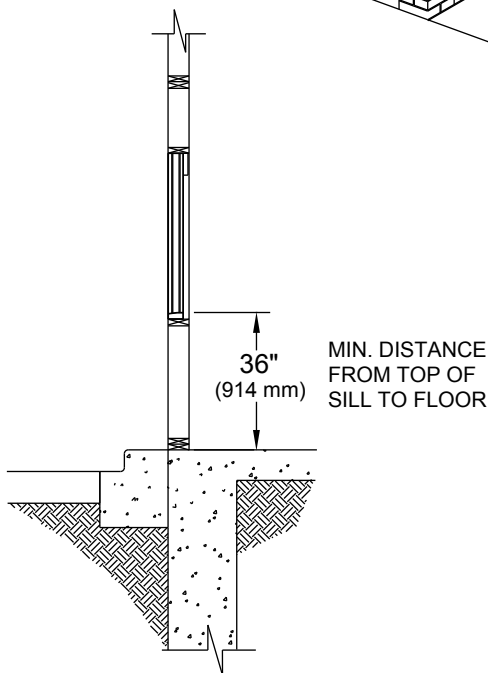
Glazing Rough Opening =
47-3/4"W (1213 mm) x 43-3/4"H (1111 mm)
Masonry Rough Opening =
48"W (1219 mm) x 44"H (1118 mm)

275 - 47-1/2"W x 35-3/4"H

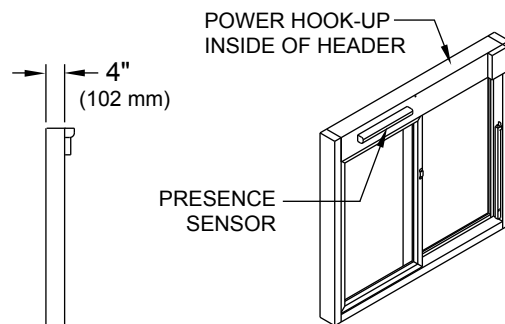
Glazing Rough Opening =
47-3/4"W (1213 mm) x 36"H (914 mm)
Masonry Rough Opening =
48"W (1219 mm) x 36-1/4"H (921 mm)

275 - 35-3/4"W x 35-3/4"H

Glazing Rough Opening =
36"W (914 mm) x 36"H (914 mm)
Masonry Rough Opening =
36-1/4"W (921 mm) x 36-1/4"H (921 mm)



FOR FULLY AUTOMATIC ELECTRIC UNIT



BOTH SIDE FRAMES ARE HOLLOW FOR ELECTRICAL ACCESS FROM EACH CORNER LEADING TO THE HEADER.

ELECTRICAL REQUIREMENTS

USA (DOMESTIC) : 115 vac - 60 Hz WITH A 15 amp BRANCH CIRCUIT
INTERNATIONAL : 220/240 vac - 50/60 Hz WITH A MAX.
8 amp BRANCH CIRCUIT

* TWO STANDARD WINDOW HEIGHTS

43-1/2" H WITH 19"W x 36"H SERVICE

35-3/4" H WITH 19"W x 28"H + 15"W x 28"H SERVICE

Window must be installed square and plumb.

Installation illustrations are for reference only. Construction and local codes will determine proper installation of window.

Contact Ready Access for more information on installation.

