

The 275 Series West Coast Window

Single Panel Slider with Restricted Service Opening and Attached Transom for AA100 Fly Fan

This window package conveniently meets California health code requirements for a 432 square inch service opening with an integrated fly fan air curtain to protect from insects, dirt, fumes, and air-conditioning loss.

Package includes self-closing window with transom, AA100 fly fan and a switch to integrate the fan operation with the window opening/closing. Switch neatly installs in header of window with no exposed wires/contacts.

Choose your mode of operation

◇ MANUAL OPEN / SELF CLOSE

Manual open, with patented hands-free gravity close. Economical and easy to maintain.

◇ MANUAL OPEN / ELECTRONIC RELEASE (MOER)

Electromagnetic “hold open” feature paired with a presence sensor offers the control of manual open with a gravity-fed close that won’t release while interacting with customers. Hands free interaction that is easy to maintain.

◇ ELECTRIC

Fully automatic electric, for hands free open & close. Operator steps into an overhead beam to activate.



SIZE

Overall Frame Size with Transom: 47.5" W x 59.5" H
Rough Opening: 48" W x 60" H

Window Frame Size: 47 1/2" W x 35 3/4" H
Service Opening: 15.25" W x 28" H

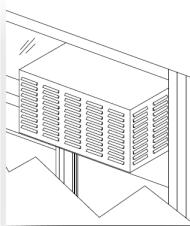
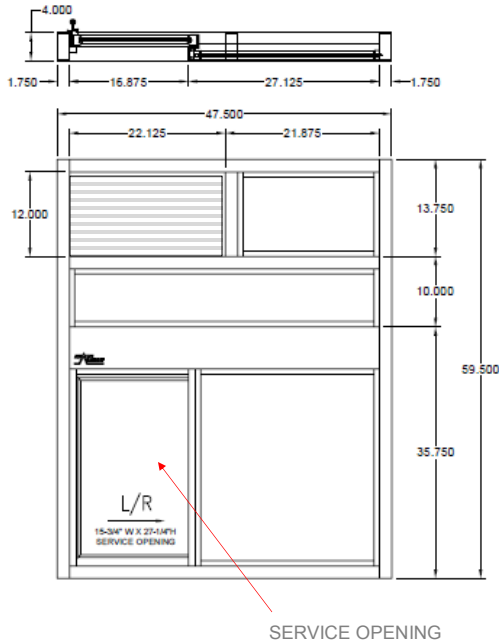
Optional West Coast Wide Configuration
Window Frame Size: 47.5"w x 30"h
Service Opening: 19"w x 21.5"

STANDARD FEATURES:

- ◇ Anodized aluminum extrusions and stainless steel combine to give you an attractive window that will not rust, pit or weather
- ◇ Fully assembled, pre-glazed and ready to install
- ◇ 1/4" Clear Tempered Glass
- ◇ Dark Bronze or Clear Anodized Aluminum
- ◇ Self latches every time it closes. Also includes a thumbturn lock, and night locking bar
- ◇ Track free bottom sill provides for a contaminant free surface. Angled toward outside for drainage toward exterior
- ◇ One year parts & labor limited warranty
- ◇ On-staff tech support / stocked parts / nationwide network of service providers.

OPTIONAL FEATURES

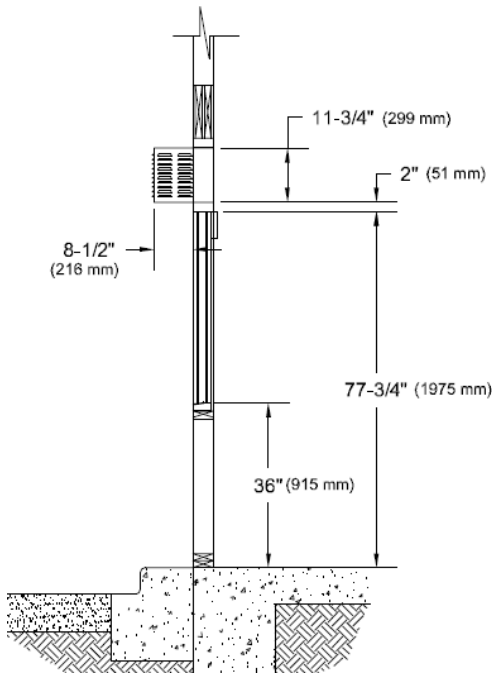
- ◇ Powder Coat Paint—Tiger Drylac
- ◇ Custom Size Window, Transom, or Sidelight(s)
- ◇ Tinted Glazing
- ◇ Low E Glass
- ◇ 5/16 Safety Glass
- ◇ Hipscan presence sensor ILO overhead beam
- ◇ Stainless Steel Shelf to extend sill inside or out (13 ga.)
- ◇ Telescoping Night Time Security Bar Set for additional security
- ◇ Sidelight (1) 36"w x 59.5"h for overall 7'w x 5'h rough opening
- ◇ Sidelights (2) 18"w x 59.5"h for overall 7'w x 5'h rough opening



AA100 Fly Fan Air Curtain

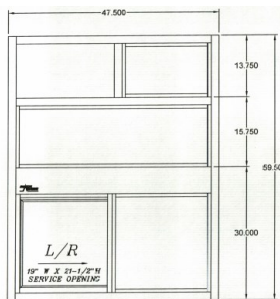
SERVICE OPENING

Specify L/R or R/L opening direction from outside view



VARIATION

West Coast Wide for shorter / wider service opening. Same overall frame size



All windows are shipped completely pre-assembled, fully glazed and ready to install.

Installation / Owners manual can be retrieved online:

www.ready-access.com

- ◇ Installation illustrations are for reference only. Construction conditions and local codes prevail.
- ◇ Must be installed level, square and plumb.
- ◇ Recommend approximately 36" from top of sill to interior finished floor (or per local code).
- ◇ 48" W x 60" H rough opening recommended for leveling.

ELECTRIC REQUIREMENTS FOR WINDOW

Run power to header on fixed panel side.

Manual Open / Electronic Release and Fully Automatic Electric:

115 vac—60Hz with a 15 amp dedicated circuit

Manual Open / Self Close Window:

No Power Required

ELECTRIC REQUIREMENTS FOR AA100

Run power to center of window above the header

15 AMP 104/120 V Single Phase

60Hz

Dedicated Circuit

