

What the

# BEST DRESSED



Drive-thru is Wearing

## BUMP OUT 2

The original Ready Access Bump-out window design is recognized throughout the world as the industry standard with more units installed than any other window of its type. By design, this ruggedly constructed unit combines functional superiority and practicality - all in an attractive window that can match virtually any building exterior.

### PRODUCT DESCRIPTIONS

- **Large 19"W x 18"H Fold-in Service Opening**  
This large service opening is perfect for virtually any size order, from pizza to ribs to beverage cartons.
- **Frame Size**  
Standard window dimensions are 27 3/4"W x 48 3/4"H.
- **Panoramic View**  
The classic Ready Access Bump-out design promotes visibility and personal contact by offering a three sided, 180 degree view of cars and customers.
- **Quality Construction**  
Anodized aluminum extrusions, stainless steel, and 1/4" tempered glass combine to give you an attractive window that not only enhances most building exteriors, but will not rust, pit or weather. Track free bottom sill provides for a contaminant free surface.
- **Fully Assembled, Ready to Install**  
Ready Access windows are shipped completely preassembled, and fully glazed for lower installation costs. Normal installation takes less than two hours.
- **Security**  
Three separate interior slide locks are provided to prevent outside operation..



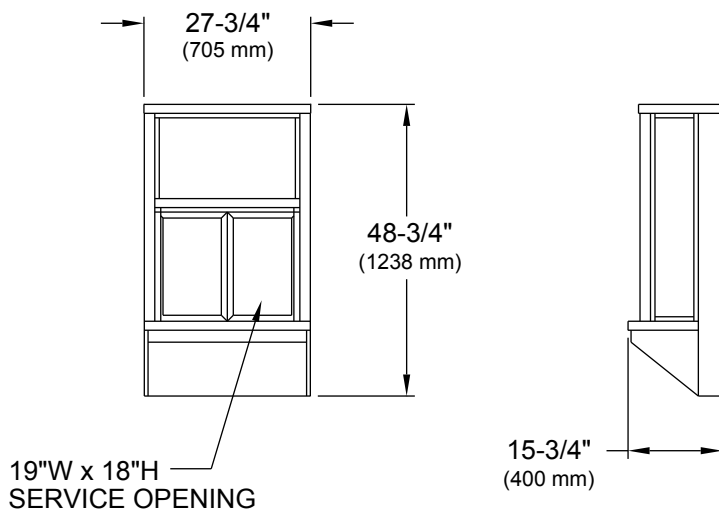
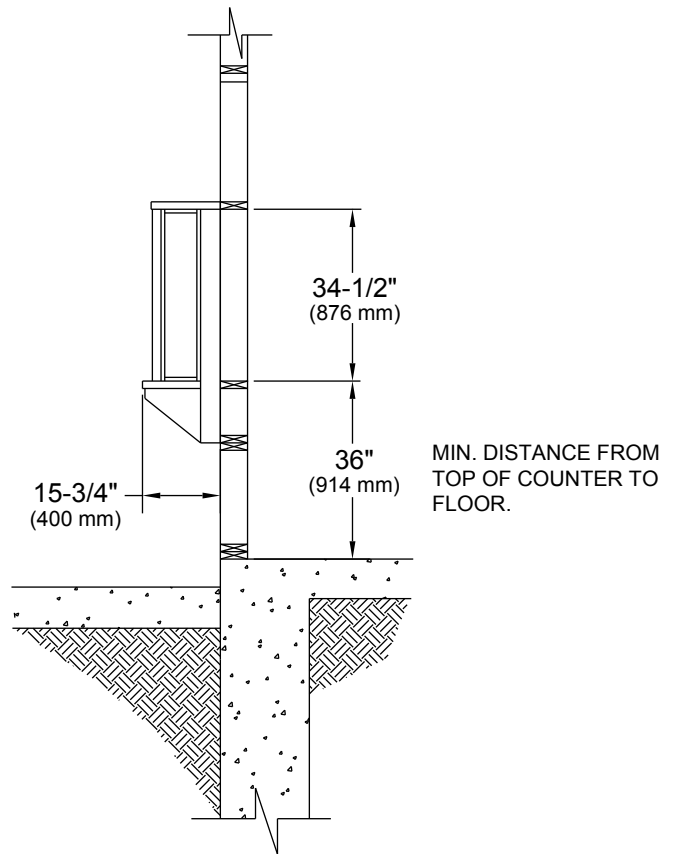
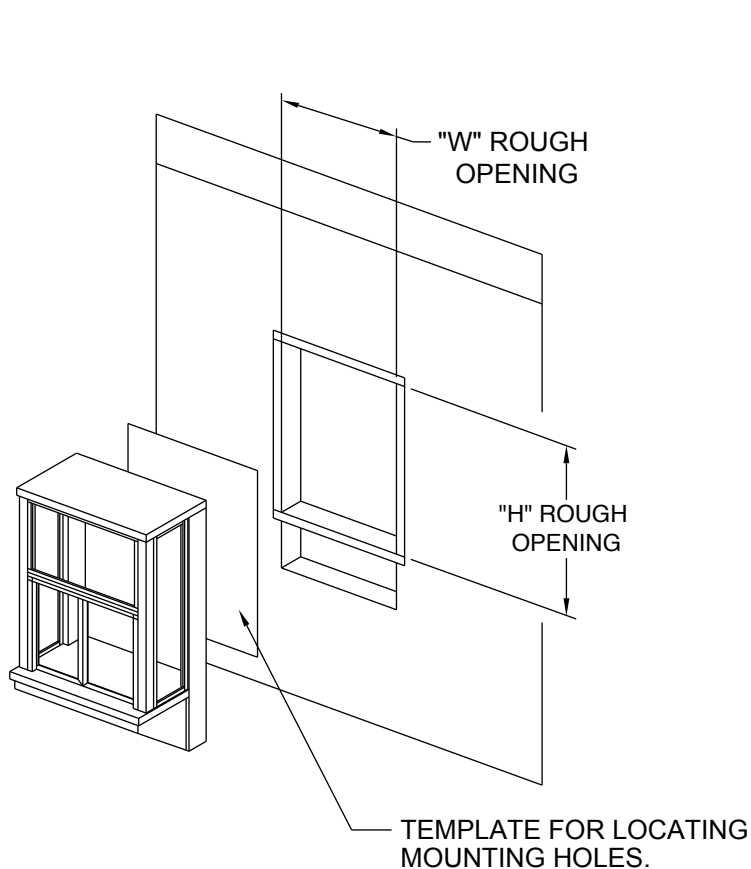
- **Warranty and Service Support**  
Your Ready Access window comes with a one year limited warranty on parts and labor. In addition, each window is backed by a world wide service organization
- **SEMI-AUTOMATIC OR FULLY AUTOMATIC OPERATION**  
**Semi-Automatic**  
As the operator leans forward against the padded plunger, the two door panels conveniently fold inward to open. The two door panels close when the plunger is released. A retro-fit kit is also available to convert semi-automatic models into fully-automatic units.  
**Fully-Automatic**  
The operator simply steps into and breaks an electronic light beam which opens the door panels automatically. The door panels automatically close when the operator steps away from the electronic light beam.
- **AVAILABLE OPTIONS**  
The Bump-out 2 is available in statuary bronze or clear anodized aluminum.  
  
Tinted glass is available upon request.  
  
Powder coat painting is available in a wide range of custom colors.

# ARRIVES READY FOR INSTALLATION

Your Ready Access window is shipped completely assembled and ready for installation. Comes with instructions.

## BUMP-OUT 2 BI-PARTING WINDOW

Semi-automatic operation or Fully-automatic operation



### BUMP-OUT 2 ROUGH OPENINGS

Glazing Rough Opening =  
24-1/4"W (616 mm) x 34-1/2"H (876 mm)  
Masonry Rough Opening =  
28-1/4"W (718 mm) x 49-1/4"H (1251 mm)

### ELECTRICAL REQUIREMENTS

USA (DOMESTIC) : 115 vac - 60 Hz  
WITH A 15 amp  
BRANCH CIRCUIT

INTERNATIONAL : 220/240 vac - 50/60 Hz  
WITH A MAX. 8 amp  
BRANCH CIRCUIT

Window must be installed square and plumb.

Installation illustrations are for reference only. Construction and local codes will determine proper installation of window.

Contact Ready Access for more information on installation.

