

What the

BEST DRESSED

Drive-thru is Wearing



BUMP OUT 10

This classic bump out design offers a panoramic view of cars and outside activity. Convenience is key with over four feet of inside usable counter space and a large 18"W x 23"H service opening. Available in manual or electric operations, the Bump Out 10 is a practical choice for any business.

PRODUCT DESCRIPTIONS

- **Large 18"W x 23"H Service Opening**
Perfect for virtually any size order, the Bump-Out 10 features a bi-parting door opening for operating convenience.
- **Panoramic View**
This original bump-out design offers the operator a 3-sided view of cars and outside activity.
- **Counter Space**
The Bump-out 10 has over 4 feet of usable inside counter space for condiments and other necessities.
- **Quality Construction**
Anodized aluminum extrusions, stainless steel and 1/4" tempered glass combine to give you an attractive window that not only enhances building exteriors, but will not rust, pit or weather. Track free bottom sill provides for a contaminant free surface.
- **Double Security Locks**
Bump-Out 10 Windows automatically lock each time the doors close, providing security when the window is unattended. When the drive-thru is closed, manual security locks help to prevent outside entry. An optional security bar set is available for high risk areas.
- **Fully Assembled, Ready to Install**
Ready Access windows are shipped completely preassembled, and fully glazed for lower installation costs. Normal installation takes less than two hours.



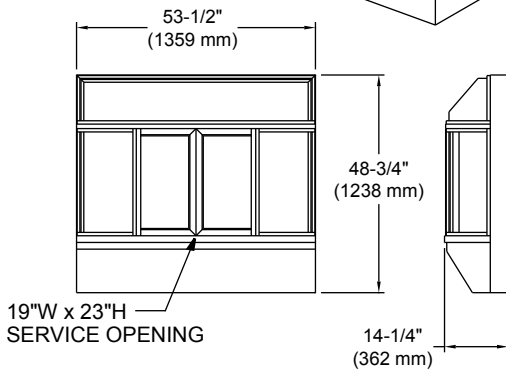
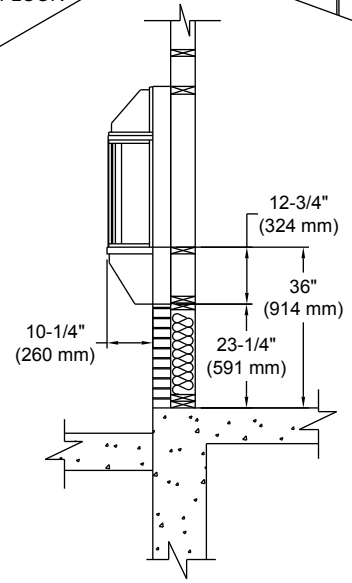
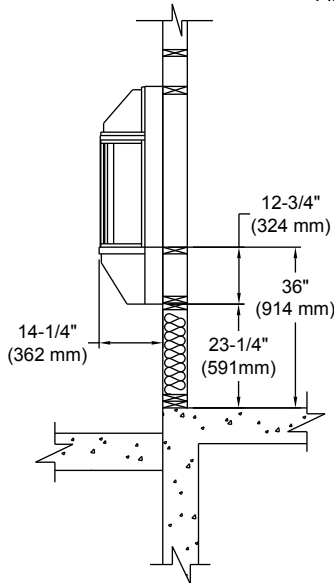
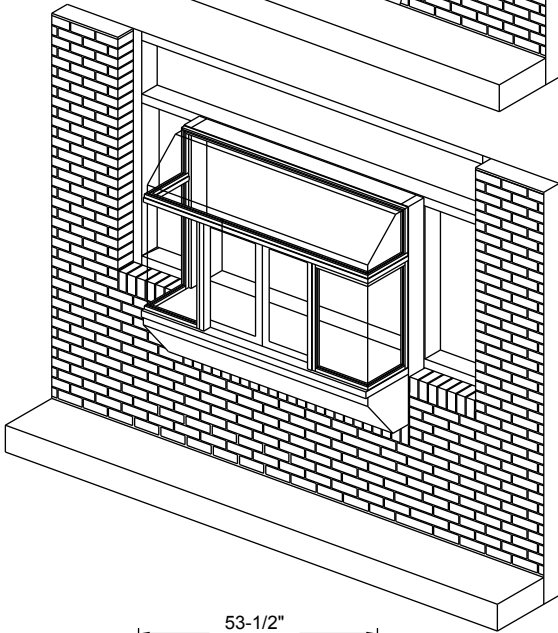
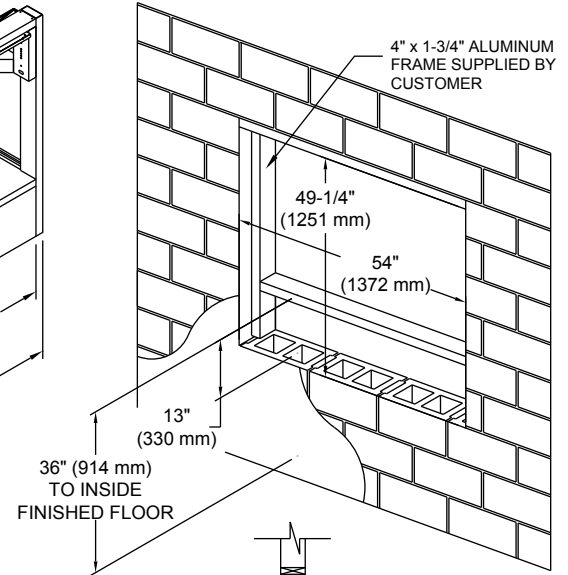
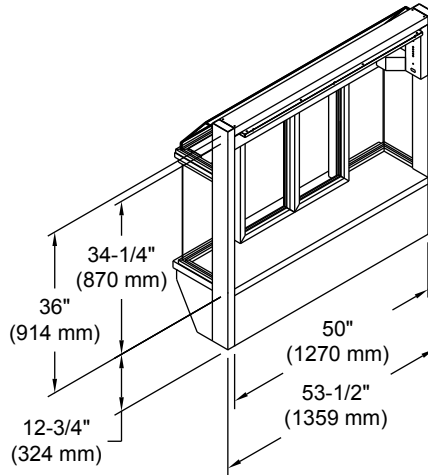
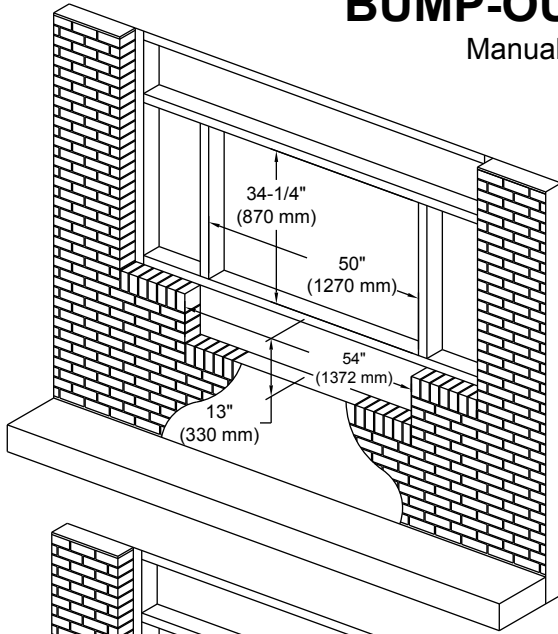
- **Warranty and Service Support**
Your Bump-Out 10 comes with a one year limited warranty on parts and labor. In addition, each unit is backed by a world-wide service organization.
- **MANUAL SELF CLOSING OR FULLY-AUTOMATIC SERVICE OPENINGS**
 - Manual / Self Closing**
In a manual operation, simply release the self latching handle and pull open the door. Both doors part from the center and easily slide open. When the handle is released the door closes on the gravity fed track.
 - **Fully-Automatic - Waist Sensor**
The operator simply steps into an electronic light beam which opens the door panels automatically. The door panels automatically close when the operator steps away from the electronic light beam. By the push of a button, operators can easily adjust the window opening size to either 12"W or 18"W.
- **AVAILABLE OPTIONS**
The Bump-out 10 is available in statuary bronze or clear anodized aluminum.
Tinted glass is available upon request.
Powder coat painting is available in a wide range of custom colors.

ARRIVES READY FOR INSTALLATION

Your Ready Access window is shipped completely assembled and ready for installation. Comes with instructions.

BUMP-OUT 10 BI-PARTING WINDOW

Manual operation or Fully-automatic operation



SERVICE OPENING ADJUSTS TO 12\"/>

BUMP-OUT 10 ROUGH OPENINGS

Glazing Rough Opening =
50\"/>

ELECTRICAL REQUIREMENTS

USA (DOMESTIC) : 115 vac - 60 Hz
WITH A 15 amp
BRANCH CIRCUIT
INTERNATIONAL : 220/240 vac - 50/60 Hz
WITH A MAX. 8 amp
BRANCH CIRCUIT

Window must be installed square and plumb.

Installation illustrations are for reference only. Construction and local codes will determine proper installation of window.

Contact Ready Access for more information on installation.

