

What the

BEST DRESSED



Drive-thru is Wearing

THE ACCESS AIR 300 PASS-THRU AIR CURTAIN SYSTEM™

For use with the 275 Single Panel Window

The Ready Access AA300 Pass-Thru Air Curtain System is designed to be an integral part of your drive-thru operation by providing comfort for both operator and customer during the coldest of days as well as satisfying health department codes for fly fan application.

- **Modes of Operation**

The Ready Access AA300 Pass-thru Air Curtain System is versatile in function and design, offering operators four separate modes of operation.

- * Outside warm air flow only
- * Inside warm air flow only
- * Both outside and inside warm air flow
- * Outside fly fan operation only

- **Features and Benefits**

Satisfies health department requirements for "Fly Fan" applications while it reduces and deflects the amount of outside wind blowing into the building. This also reduces heating and air-conditioning loss as well as reducing unwanted environment factors such as dust and exhaust fumes from entering the building. Acts as a fly fan to deter insects from entering the building during warm weather conditions.

Provides the owner/operator with a stable, comfortable working environment for all crew members. Reduces Drive-Thru operation expenses by diminishing employee turnover.

- **Unique Design**

The AA300 Air Curtain System is the only system on the market today that offers an outside and inside heated air flow. It is designed for use with any flushmount window.



- **Quality Construction**

The exterior housing of the AA300 Air Curtain System is manufactured using bronze or clear anodized aluminum.

- **Fully Assembled, Ready to Install**

The Access Air 300 system is shipped completely pre-assembled and ready for installation, lowering installation costs. Normal installation for new store construction takes less than two hours.

- **Warranty and Service Support**

Your Access Air 300 System comes with a one year limited warranty on parts and labor. In addition, each Pass-Thru Air Curtain System is backed by a worldwide service organization.

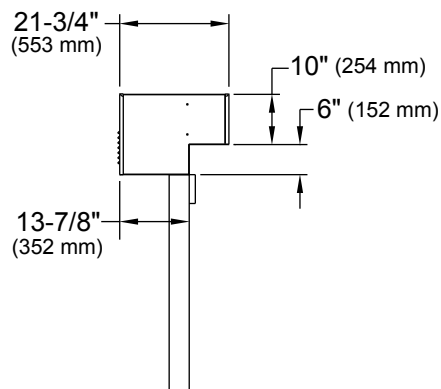
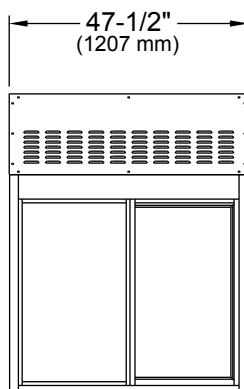
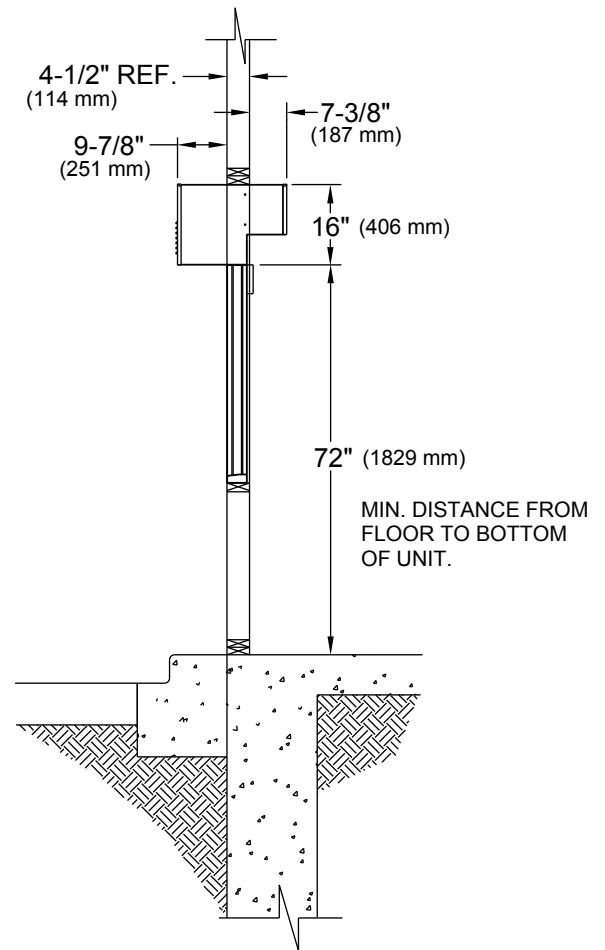
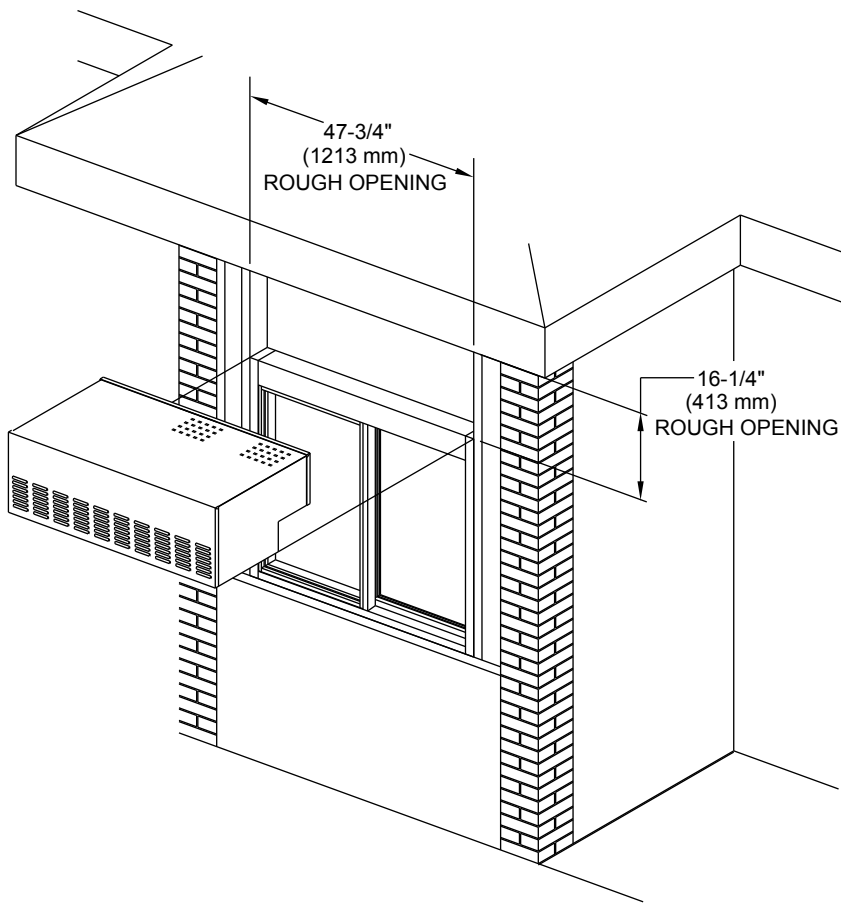
- **AVAILABLE OPTIONS**

Power coat painting is available upon request for a wide range of custom colors.

ARRIVES READY FOR INSTALLATION

Your Ready Access window is shipped completely assembled and ready for installation. Comes with instructions.

AA300 - 275 PASS-THRU AIR CURTAIN SYSTEM



UNIT SPECIFICATIONS:

- * 208/240 VOLTS
- * 7100 HEATER WATTS
- * 32 ACTUAL UNIT AMPS
- * 1 (SINGLE) PHASE
- * 60 HZ
- * 600 FPM AIR VELOCITY

Window must be installed square and plumb.

Installation illustrations are for reference only. Construction and local codes will determine proper installation of window.

Contact Ready Access for more information on installation.

